

Frame/Body

8

SECTION

SUBSECTION

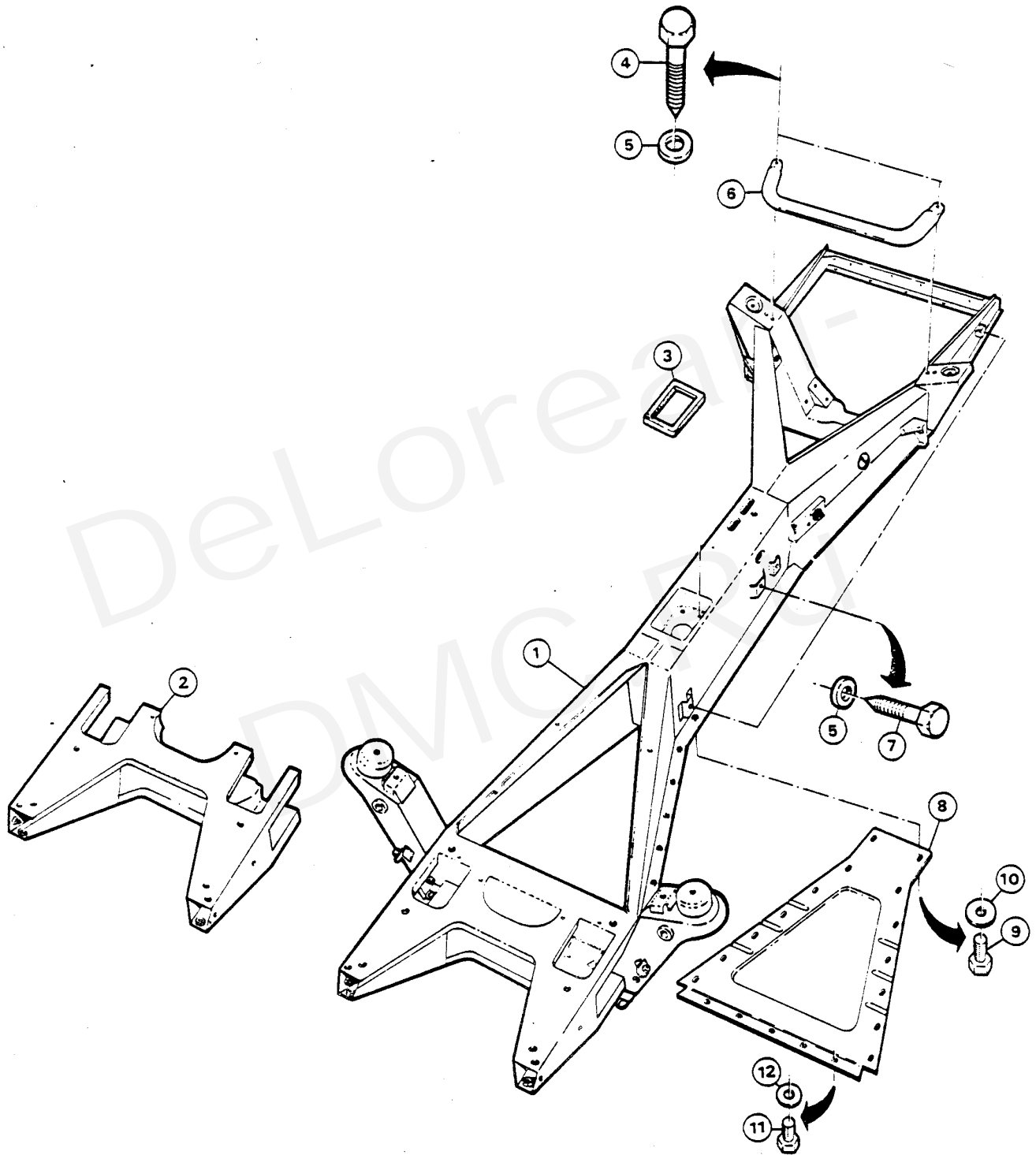
1 / **0** GROUP

FRAME/BODY

FRAME

FIG.	PART NUMBER	DESCRIPTION	QTY	REMARKS
1	108273	MANUAL FRAME	1	
	108274	AUTOMATIC FRAME	1	
2	105289	FRONT CRUMPLE TUBES	1	
3	105558	SEAL	1	
4	SP10591	BODY MTG BOLT M10 x 45	4	
5	SP10033	WASHER M10	10	
6	108330	CROSSBRACE	1	
7	SP10590	BODY MTG BOLT M10 x 35	6	
8	101716	F/TNK CLOSING PLATE	1	
9	SP10803	SCREW M8	14	
10	SP10032	WASHER M8	14	
11	SP10041	SCREW M6	5	
12	SP10031	WASHER M6	5	

8-1-0-1-19-82



8

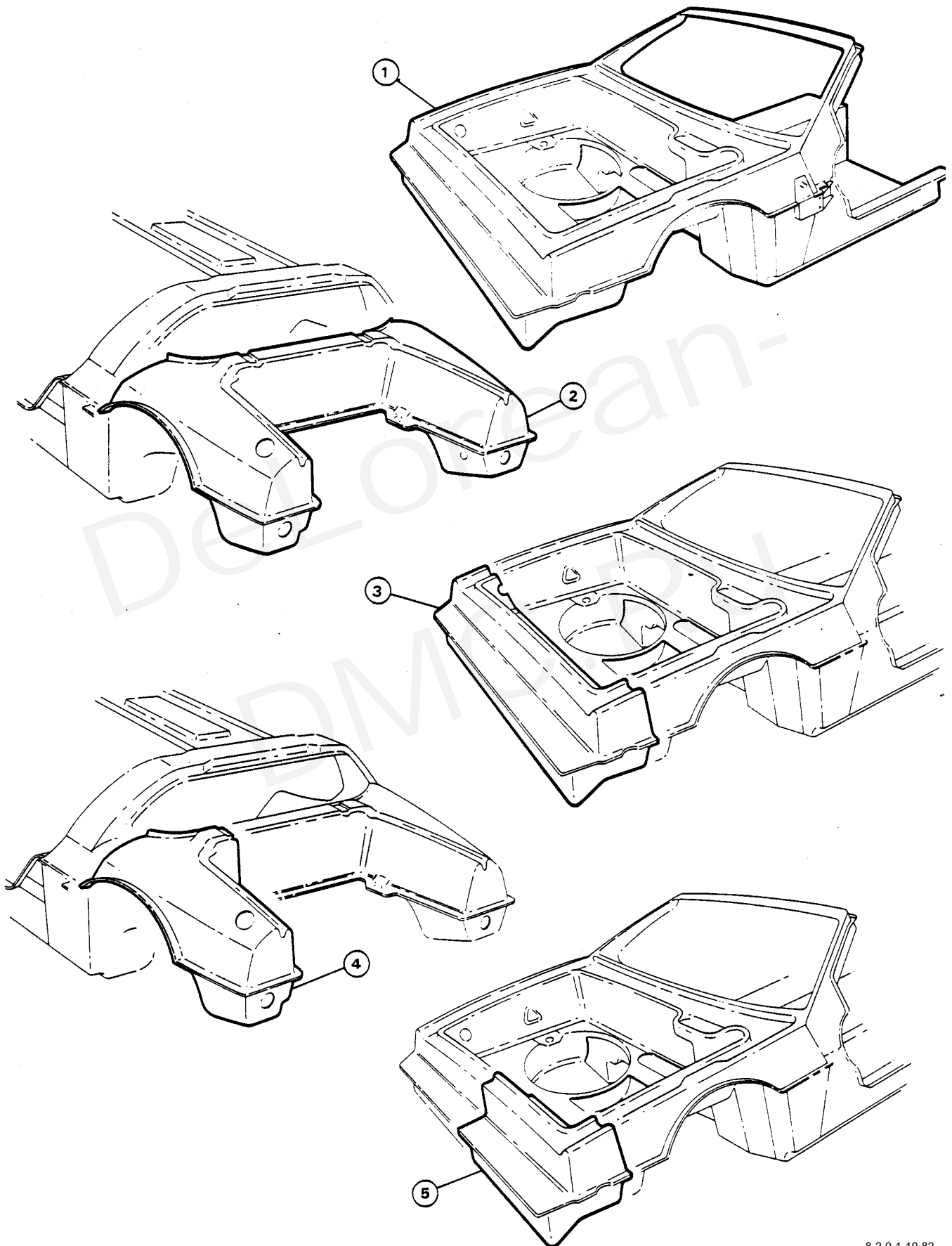
SECTION

SUBSECTION

2 / **0** GROUPFRAME/BODY
FIBREGLASS BODY

FIG.	PART NUMBER	DESCRIPTION	QTY	REMARKS
1	109990	FORWARD HALF BODY	1	
2	109997	REAR BODY SHORT	1	
3	109993	SHORT FRONT BODY	1	
4	109998	PONTOON BODY REAR RH	1	
	109999	PONTOON BODY REAR LH	1	
5	109995	SHORT FRONT BODY LH	1	
	109996	SHORT FRONT BODY RH	1	

8-2-0-1-19-82



8

SECTION

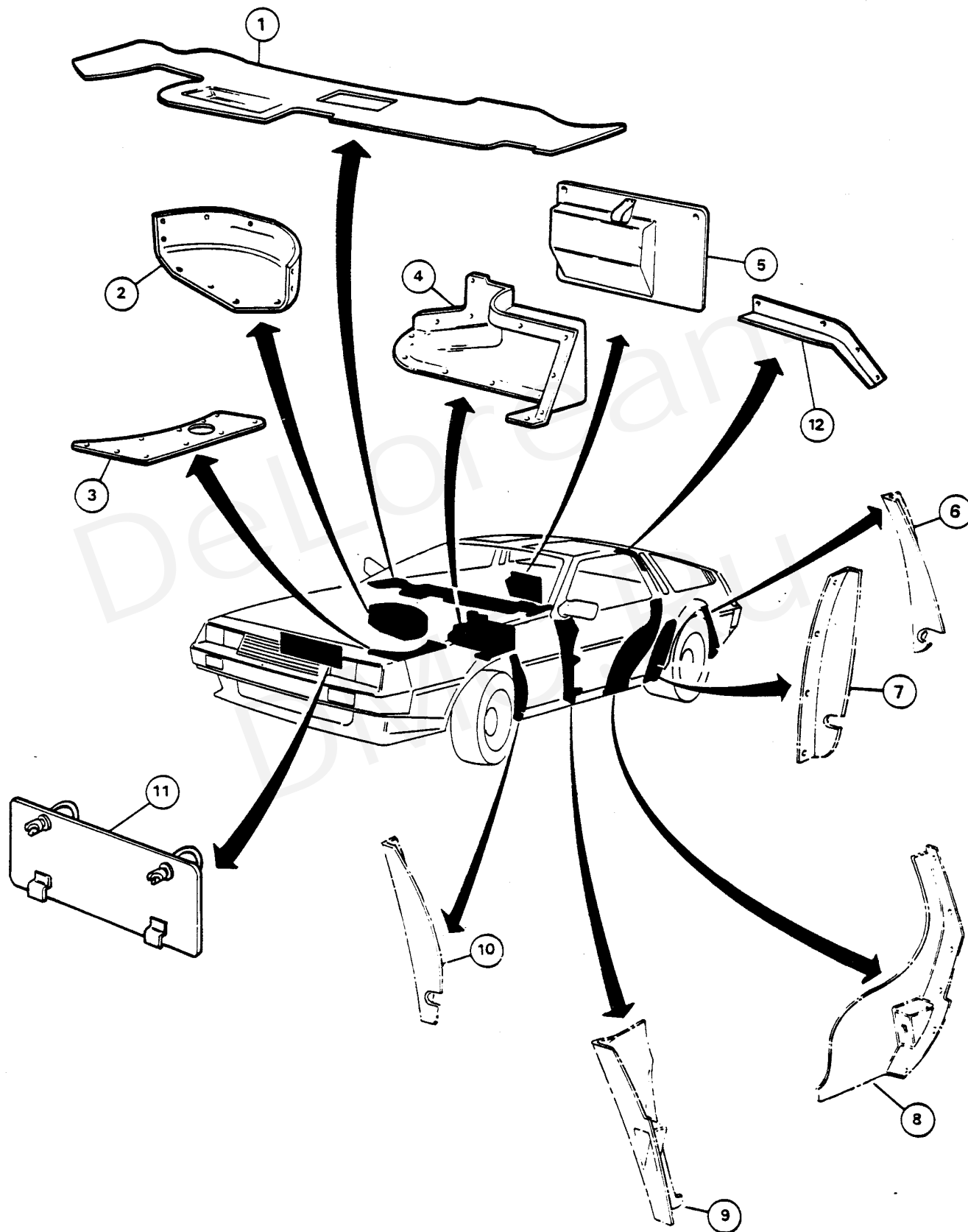
SUBSECTION

2 / 1 GROUP

FRAME/BODY

PLASTIC MOULDINGS/INFILL PANELS

FIG.	PART NUMBER	DESCRIPTION	QTY	REMARKS
1	101293	DEMIST RAIL PNL	1	
2	105168	F/TNK INSP CVR	1	
3	106004	BRK SERVO ACC	1	
4	106002	FUEL FILLER CLSG PNL	1	
5	106168	BATTERY COMP CVR	1	
6		RR WHL RR PNL RH	1	REFER TO 8-3-1
		RR WHL RR PNL LH	1	REFER TO 8-3-1
7		RR WHL FRT PNL RH	1	REFER TO 8-3-1
		RR WHL FRT PNL LH	1	REFER TO 8-3-1
8		LWR RR INFILL PNL RH	1	REFER TO 8-3-0
		LWR RR INFILL PNL LH	1	REFER TO 8-3-0
9		FRT FDR INFILL PNL RH	1	REFER TO 8-3-0
		FRT FDR INFILL PNL LH	1	REFER TO 8-3-0
10		FRT WHL PNL RH	1	REFER TO 8-3-1
		FRT WHL PNL LH	1	REFER TO 8-3-1
11	108234	JACK STOWAGE COVER	1	
12		UPR RR INFILL PNL RH	1	REFER TO 8-3-0
		UPR RR INFILL PNL LH	1	REFER TO 8-3-0



8

SECTION

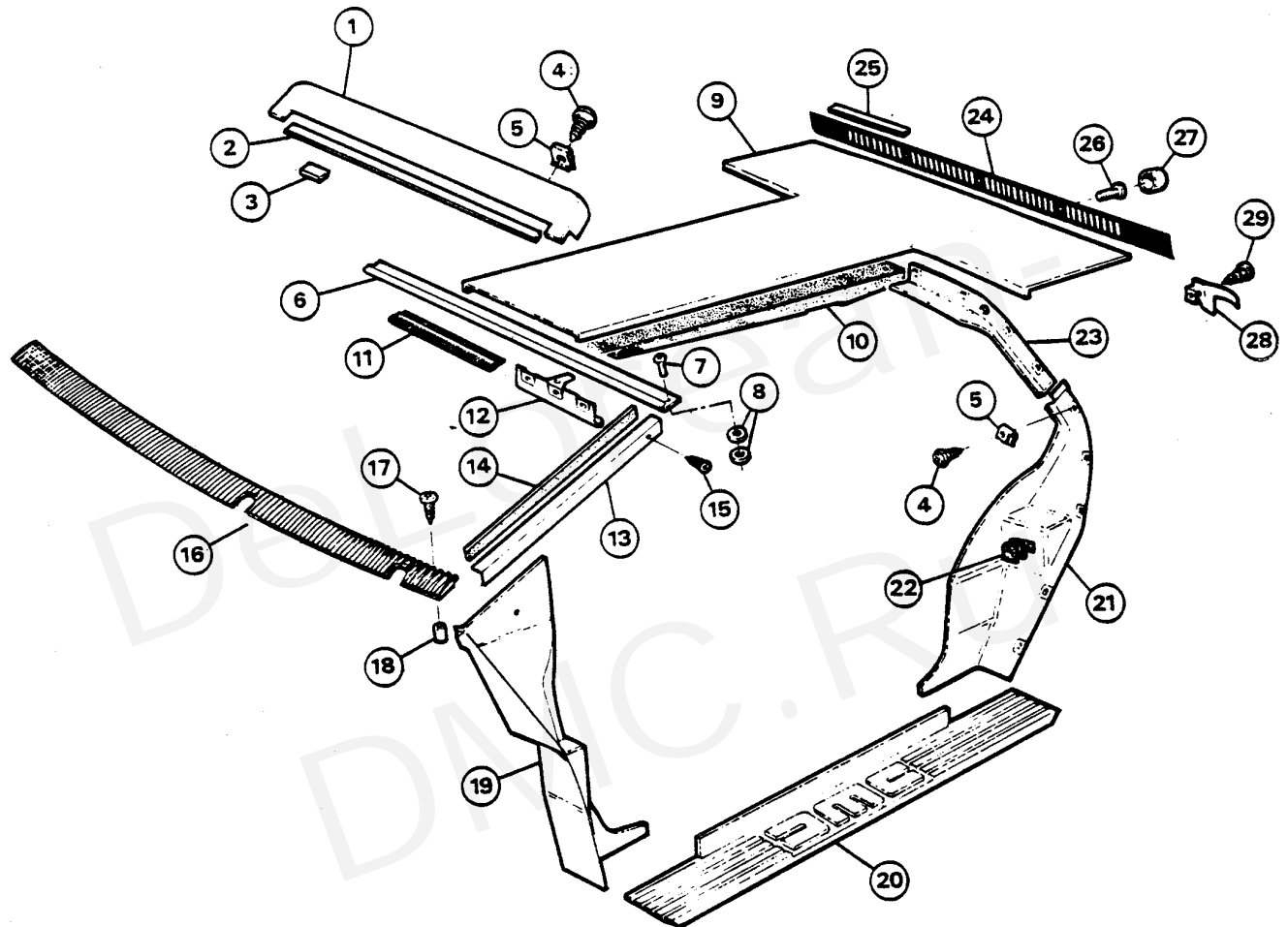
SUBSECTION

3 / **0** GROUP

FRAME/BODY

STAINLESS PANELS/DOOR FRAME

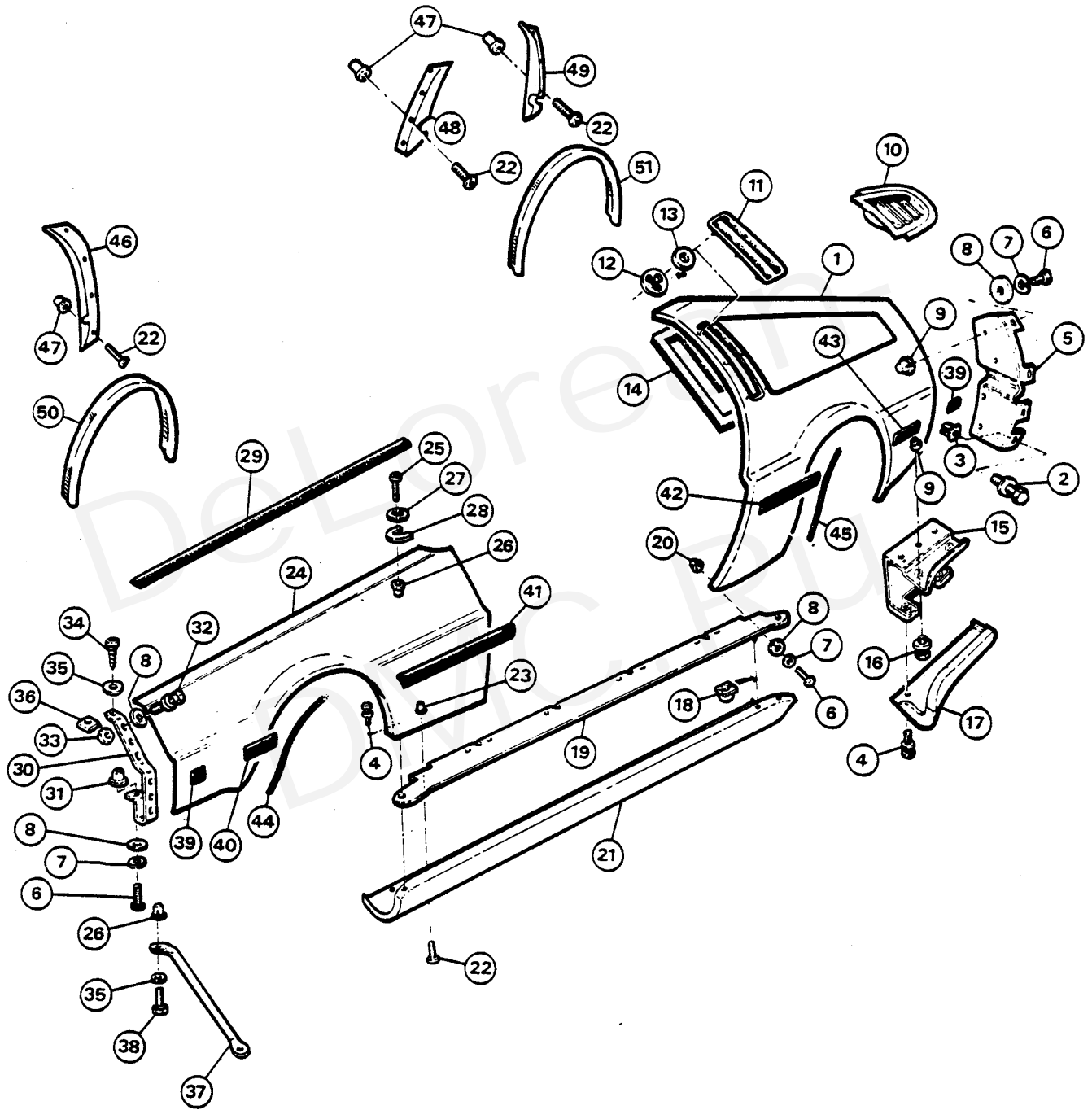
FIG.	PART NUMBER	DESCRIPTION	QTY	REMARKS
1	101418	HEADER PANEL	1	
2	106852	RET ROOF STRIP	1	
3	108282	HDR MOUNTING PAD	2	
4	SP10646	SCREW N10	28	
5	105501	'U' CLIP	28	
6	105010	FRT HDR RETAINER	1	
7	SP10641	SCREW N8	8	
8	SP10111	WASHER M5	4	
9	100204	ROOF PANEL	1	
10	106722	ROOF SUPT ASSY	1	
11	106657	ROOF PANEL FRT RET	1	
12	101790	INFILL PANEL RH	1	
	101791	INFILL PANEL LH	1	
13	I00673	A POST OTR FIN LH	1	
	100674	A POST OTR FIN RH	1	
14	108584	PAD	2	
15	SP10430	SCREW N8	6	
16	105047	SCUTTLE FINISHER	1	
17	SP10694	SCREW N8	5	
18	108322	SPACER	5	
19	100962	FRT FENDER INFILL PANEL RH	1	
	1100963	FRT FENDER INFILL PANEL LH	1	
20	100698	TREAD PLATE RH	1	
	100699	TREAD PLATE LH	1	
21	105744	LWR RR INFILL PANEL RH	1	
	105745	LWR RR INFILL PANEL LH	1	
22	110728	STRIKER PIN GROMMET	4	
23	105742	UPR RR INFILL PANEL RH	1	
	105743	UPR RR INFILL PANEL LH	1	
24	105721	RR SCR N UPR FIN	1	
25	108687	STRIP CUSHION	3	
26	SP10107	SCREW M4	3	
27	106115	UNICAP M4	3	
28	106717	R/Q CORNER FIN LH	1	
	106718	R/Q CORNER FIN RH	1	
29	SPIO448	SCREW N8	2	



8	SECTION		FRAME/BODY	
	3	SUBSECTION	STAINLESS PANELS FENDER/REAR QUARTER PANEL	
		1	GROUP	
FIG.	PART NUMBER	DESCRIPTION	QTY	REMARKS
1	108128	RR QUARTER PANEL RH	2	
	108129	RR QUARTER PANEL LH	1	
2	SP10701	SEMS SCREW N8	8	
3	SP10700	PANEL NUT	8	
4	SP10661	SEMS SCREW M5	16	
5	110053	RR QTR BRKT LH	1	
	110052	RR QTR BRKT RH	1	
6	SP10277	SCREW M6	36	
7	SP10509	SPRING WASHER M6	36	
8	SP10508	WASHER M6	40	
9	SP10774	RIVNUT M6	14	
10	105514	INDUCTION GRILL RH	1	
	105515	INDUCTION GRILL LH	1	
11	100369	RR QTR LOUVRE LH	1	
	100370	RR QTR LOUVRE RH	1	
12	SP10695	PNL FSTN PUSH NUT	6	
13	SP10696	NYLON WASHER	6	
14	108535	GASKET LH	1	
	108536	GASKET RH	1	
15	108080	RR VALANCE BRKT RH	1	
	108081	RR VALANCE BRKT LH	1	
16	SP10775	SEMS SCREW M6	6	
17	100703	VALANCE LH	1	
	1100704	VALANCE RH	1	
18	SP10691	PIN RETAINER	30	
19	108463	ROCKER SUPT PNL LH	1	
	108464	ROCKER SUPT PNL RH	1	
20	SP10617	RIVNUT M6	26	
21	110582	ROCKER OTR PNL RH	1	
	110583	ROCKER OTR PNL LH	1	
22	SP10689	SCREW M5	46	
23	SP10612	RIVNUT M5	24	
24	100207	FENDER FRONT LH	1	
	100208	FENDER FRONT RH	1	
25	SP10634	SCREW M5	16	
26	SP10797	RIVNUT M5	18	
27	SP10770	EXTRA LARGE WA M5	16	
28	SP10639	'C' WASHER M6	32	
29	108247	FINISHING STRIP	2	
30	105403	F/FDR ATCH BRKT LH	1	
	105404	F/FDR ATCH BRKT RH	1	
31	SP10617	RIVNUT M6 STAINLESS	2	
32	SP10460	SEMS SCREW M6	4	
33	SP10676	AERONUT M6	4	

FRAME/BODY
STAINLESS PANELS FENDER/REAR QUARTER PANEL

SECTION
8
SUBSECTION
3
1 GROUP



8

SECTION

SUBSECTION

3 / **1** GROUP

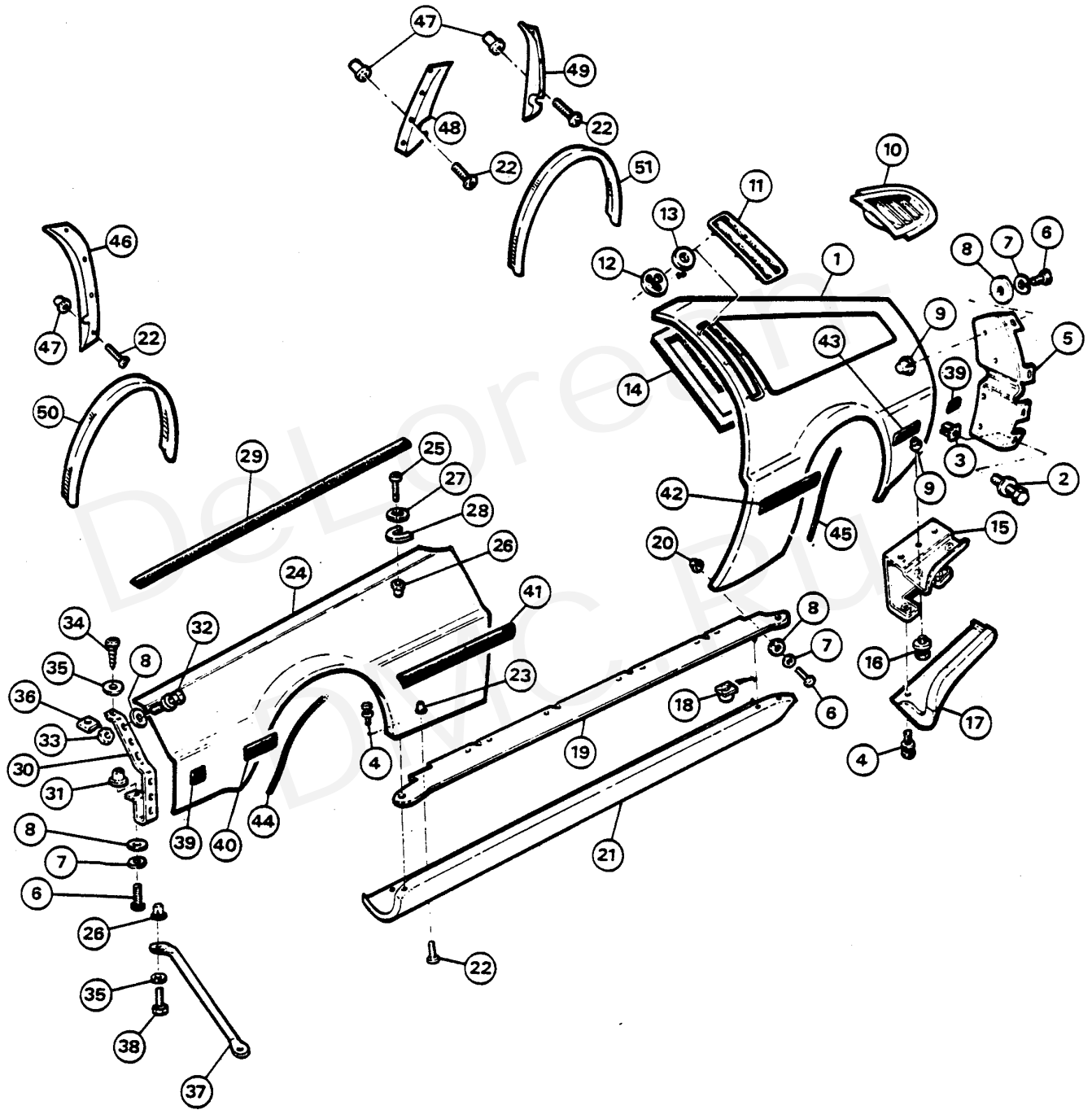
FRAME/BODY

STAINLESS PANELS FENDER/REAR QUARTER PANEL

FIG.	PART NUMBER	DESCRIPTION	QTY	REMARKS
34	SP10080	SCREW N8	4	
35	SP10667	WASHER M5	4	
36	SP10169	CAPTIVE NUT	4	
37	108692	STAY	2	
38	SP10634	SCREW M5	2	
35	SP10667	WASHER M5	2	
39	101742	R/STRIP SEGMENT	4	
40	100636	FRT R/STRIP F/FDR RH	1	
	100637	FRT R/SN11P F/FDR LH	1	
41	100638	RR R/STRIP F/FDR RH	1	
	100639	RR R/STRIP F/FDR LH	1	
42	100644	FRT R/STRIP R/Q RH	1	
	100646	FRT R/STRIP R/Q LH	1	
43	100646	RR R/STRIP R/Q RH	1	
	100647	RR R/STRIP R/Q LH	1	
44	108668	EDGE FINISHER FRT	2	
45	108669	EDGE FINISHER RR	2	
46	101784	FRT WHL PNL RH	1	ALSO IN 8-2-1
	101786	FRT WHL PNL LH	1	ALSO IN 8-2-1
47	SP10611	RIVNUT M6	24	
48	101786	RR WHL FRT PNL RH	1	ALSO IN 8-2-1
	101787	RR WHL FRT PNL LH	1	ALSO IN 8-2-1
49	101788	RR WHL RR PNL RH	1	ALSO IN 8-2-1
	101789	RR WHL RR PNL LH	1	ALSO IN 8-2-1
50	110156	W/ARCH SEAL STRIPSI~IP FRT	2	
51	110157	W/ARCH SEAL STRIP RR	2	

FRAME/BODY
STAINLESS PANELS FENDER/REAR QUARTER PANEL

SECTION
8
SUBSECTION
3
1 GROUP



8

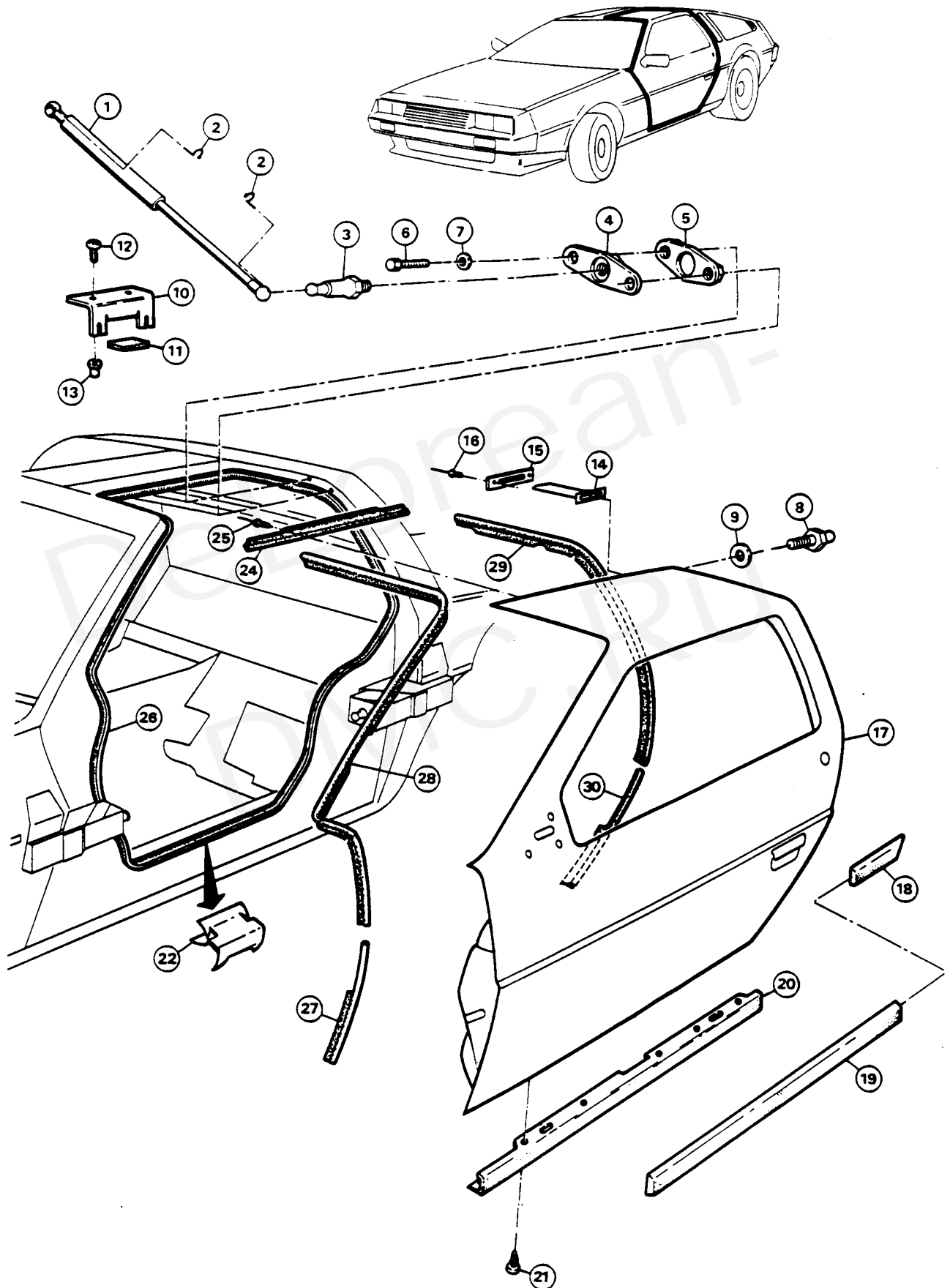
SECTION

SUBSECTION

4 / 0 GROUP

FRAME/BODY
DOORS/STRUTS/SEALS

FIG.	PART NUMBER	DESCRIPTION	QTY	REMARKS
1	100592	GAS STRUT	2	
2	108110	SAFETY CLIP	4	
3	105629	RETAINER	2	
4	108653	GAS STRUT RET PLATE	2	
5	108655	BACKING PLATE	2	
6	SP10015	SCREW M6	4	
7	SP10031	WASHER M6	4	
8	106696	CONNECTOR	2	
9	SP10033	WASHER M10	2	
10	108297	CLAMP	2	
11	108299	CLAMPING PAD	4	
12	SP10194	SCREW M5	8	
13	SP10611	RIVNUT M5	8	
14	110127	SLEEVE	2	
15	105722	CLAMPING PLATE	2	
16	SP10277	POP RIVET	4	
17	108494	DOOR WELDED RH	1	
	108495	DOOR WELDED LH	1	
18	100642	RR RUBBING STRIP RH	1	
	100643	RR RUBBING STRIP LH	1	
19	100640	FR RUBBING STRIP RH	1	
	100641	FR RUBBING STRIP LH	1	
20	108285	DR SILL SEAL ASSY LH	1	
	108286	DR SILL SEAL ASSY RH	1	
21	SP10827	SCREW N12	10	
22	SP10497	EDGE CLIPS	46	NOT ILL
24	106967	DOOR ROOF SEAL LH	1	
	106968	DOOR ROOF SEAL RH	1	
25	SP10780	POP RIVET	16	
26	110044	SEAL DOOR	1	
27	108984	SEAL OUTER FRT RH LWR	1	
	108985	SEAL OUTER FRT LH LWR	1	
28	108982	SEAL OUTER FRT RH UPR	1	
	108983	SEAL OUTER FRT LH UPR	1	
29	108986	SEAL OUTER RR RH UPR	1	
	108987	SEAL OUTER RR LH UPR	1	
30	108988	SEAL OUTER RR RH LWR	1	
	108989	SEAL OUTER RR LH LWR	1	



8

SECTION

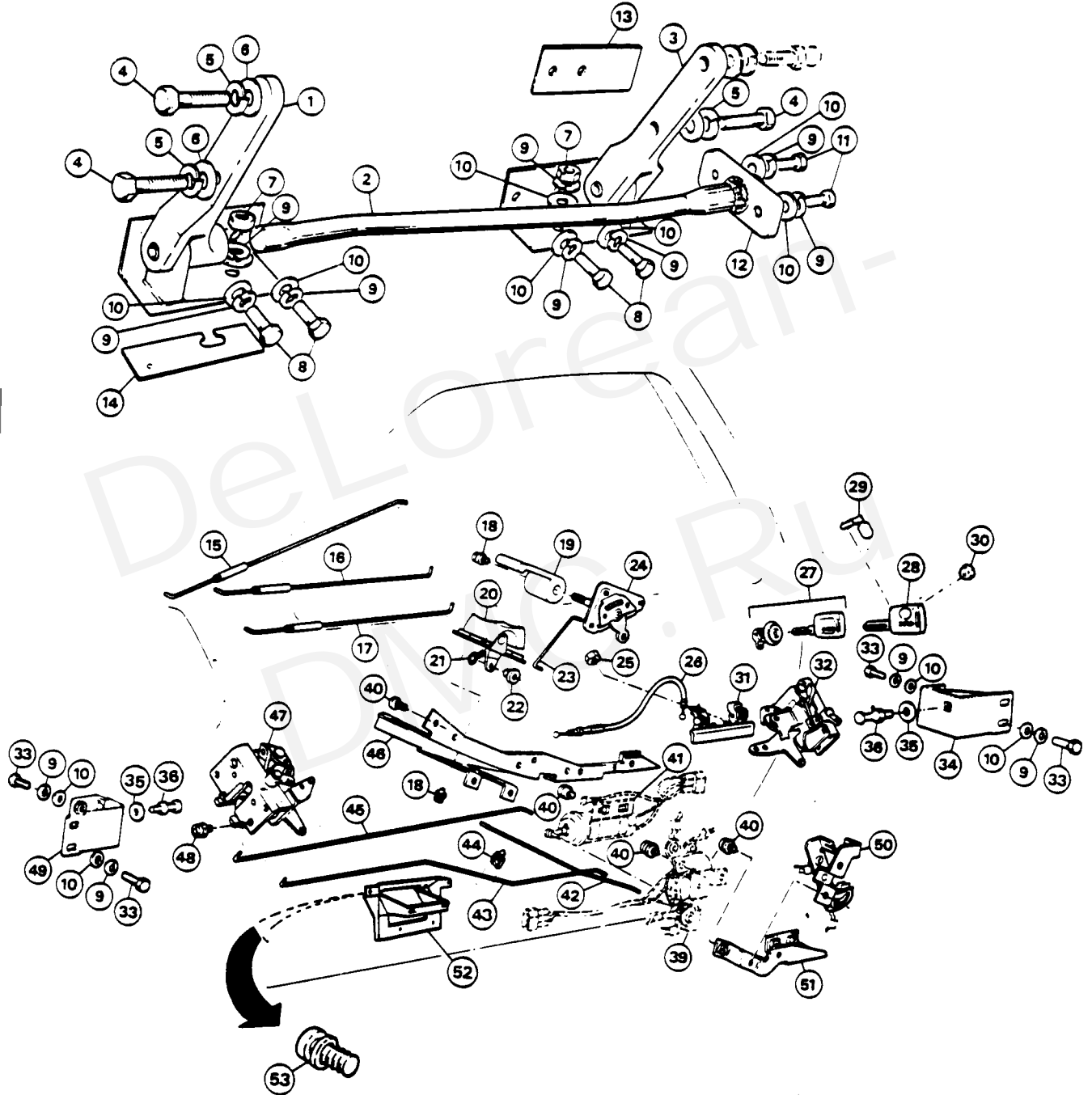
SUBSECTION

4 / 1 GROUP

FRAME/BODY
DOOR MECHANISM

FIG.	PART NUMBER	DESCRIPTION	QTY	REMARKS
1	105106	DOOR HINGE FRONT RH	1	
	105107	DOOR HINGE FRONT LH	1	
2	100931	TORSION BAR LH	1	
	100932	TORSION BAR RH	1	
3	105108	DOOR HINGE REAR LH	1	
	105109	DOOR HINGE REAR RH	1	
4	SP10004	SCREW M10	6	
5	SP10036	WASHER-SPRING M10	6	
6	SP10033	WASHER M10	6	
7	SP10731	NUT M8	4	
8	SP10788	SCREW M8	8	
9	SP10035	WASHER-SPRING M8	32Z	
10	SP10032	WASHER M8	32	
11	SP10103	SCREW M8	4	
12	105006	TORSION BAR RET PLATE	2	
13	108487	SHIMPLATE-DR HINGE RF	4	
14	105453	SHIMPLATE-DRIVE HINGE	A/R	(12 OFF MAX PER CAR)
15	106015	ROD, DOOR LOCK LH	1	EXT KEY LOCK TO BELLCRANK
	106016	ROD, DOOR LOCK RH	1	EXT KEY LOCK TO BELLCRANK
16	101747	LINK, DOOR LOCK RLS	2	BELLCRANK TO REAR LATCH
17	106021	ROD, DOOR LOCK LH	1	BELLCRANK TO REAR LATCH
	106022	ROD, DOOR LOCK RH	1	BELLCRANK TO REAR LATCH
18	SP10457	SCREW, M5 x 10	14	
19	100583	DOOR HANDLE, INNER LH	1	
	100584	DOOR HANDLE, INNER RH	1	
20	105032	SWITCH, DOOR LOCK	2	
Z1	108615	. RET CLIP, CONTROL ROD	2	
22	108616	. BUSHING, . PIVOT	2	
23	101749	DOOR LATCH, REM CON	2	INTERIOR RELEASE TO BELLCRANK
24	101430	ROCKER SW DOOR LOCK	2	
25	SP10183	NUT, M6	4	
26	101422	CABLE, DOOR LOCK	22	
27	101419	LOCK, . DOOR LH	1	UP TO VIN
	101420	LOCK, DOOR RH	1	UP TO VIN
	110192	LOCKSET, DOOR	1	FROM VIN
28	106244	KEY, ILLUMINATING	A/R	UP TO VIN
	109100	KEY	A/R	FROM VIN
29	109132	BULB/IHOLDER	1	UP TO VIN
30	109133	BATTERY, KEY	1	UP TO VIN
31	100579	DOOR HANDLE, EXTERIOR	2	
32	101665	LATCH ASSY, DOOR LH	2	
33	SP10001	BOLT M8 x 30	4	
34	105568	STRIKER MT BRKT RH	1	
	105569	STRIKER MT BRKT LH	1	

8-4-1-3-10-82



8

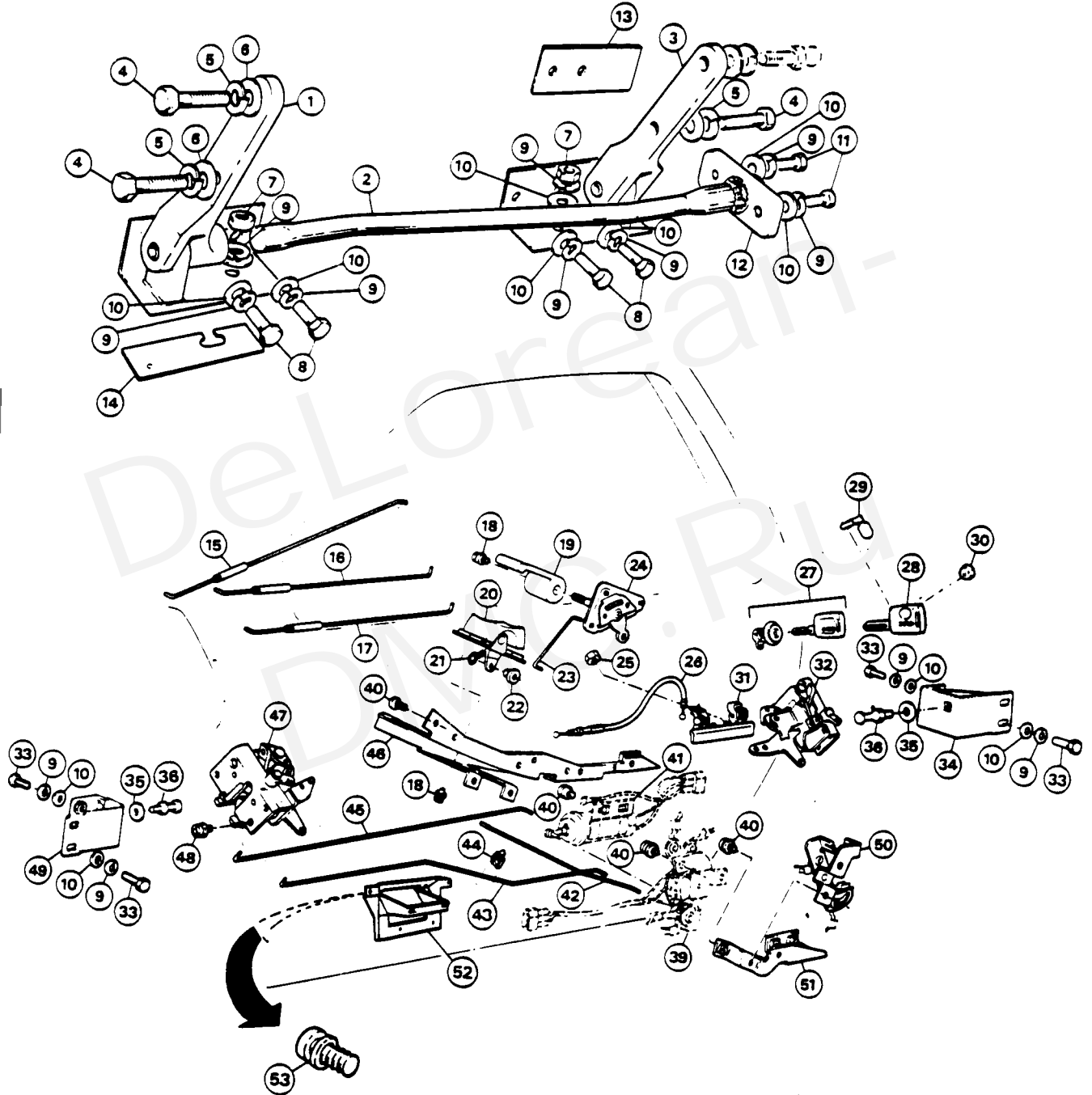
SECTION

SUBSECTION

4 / 1 GROUP

FRAME/BODY
DOOR MECHANISM

FIG.	PART NUMBER	DESCRIPTION	QTY	REMARKS
35	105597	WASHER, STRIKER	4	WHEN STOCK IS USED UP REPLACE WITH 108711
36	IIW68	STRIKER, DOOR LOCK	4	
39	100852	BELLCRANK RH, DR LOCK	1	
	100853	BELLCRANK LH, DR LOCK	1	
40	SP10460	SCREW M6 X 12	22	
41	100860	SOLENOID DR LOCK RH	1	
	100861	SOLENOID DR LOCK LH	1	
42	106018	ROD, DOOR LOCK RH	2	INTERIOR SWITCH TO BELLCRANK
43	106019	ROD, DOOR LOCK LH	1	BELLCRANK TO FRONT LATCH
	106020	ROD, DOOR LOCK RH	1	BELLCRANK TO FRONT LATCH
44U	SP10706	CLIP	2	
45	108050	ROD LINK, DOOR RH	1	BELLCRANK TO FRONT LATCH
	108051	ROD LINK, DOOR LH	1	BELLCRANK TO FRONT LATCH
46	105227	ARM REST SUB ASSY LH	1	
	105228	ARM REST SUB ASSY RH	1	
47	101666	LATCH, DOOR RH	2	USED-FRONT OF ONE DOOR AND REAR OF OTHER DOOR
	101665	LATCH, DOOR LH	2	USED-REAR OF ONE DOOR AND FRONT OF OTHER DOOR
48	SP10455	SCREW M6 X 12	12	
49	105679	STKR MT BRKT, FRT LH	1	
	105680	STKR MT BRKT, FRT RH	1	
50	100864	BELLCRANK DR RLS RH	1	
	100865	BELLCRANK DR RLS LH	1	
51	106067	CARR SUPT BRKT RR LH	1	
	106068	CARR SUPT BRKT RR RH	1	
52	106036	HANDLE SUPT BRKT RH	1	UP TO VIN 5992
	110222	HANDLE SUPT BRKT RH	1	FROM VIN 5993
	106037	HANDLE SUPT BRKT LH	1	UP TO VIN 5992
	110223	HANDLE SUPT BRKT LH	1	FROM VIN 5993
53	SP10455	SCREW-SEMS M6	8	



8

SECTION

SUBSECTION

4 / 2 GROUP

FRAME/BODY

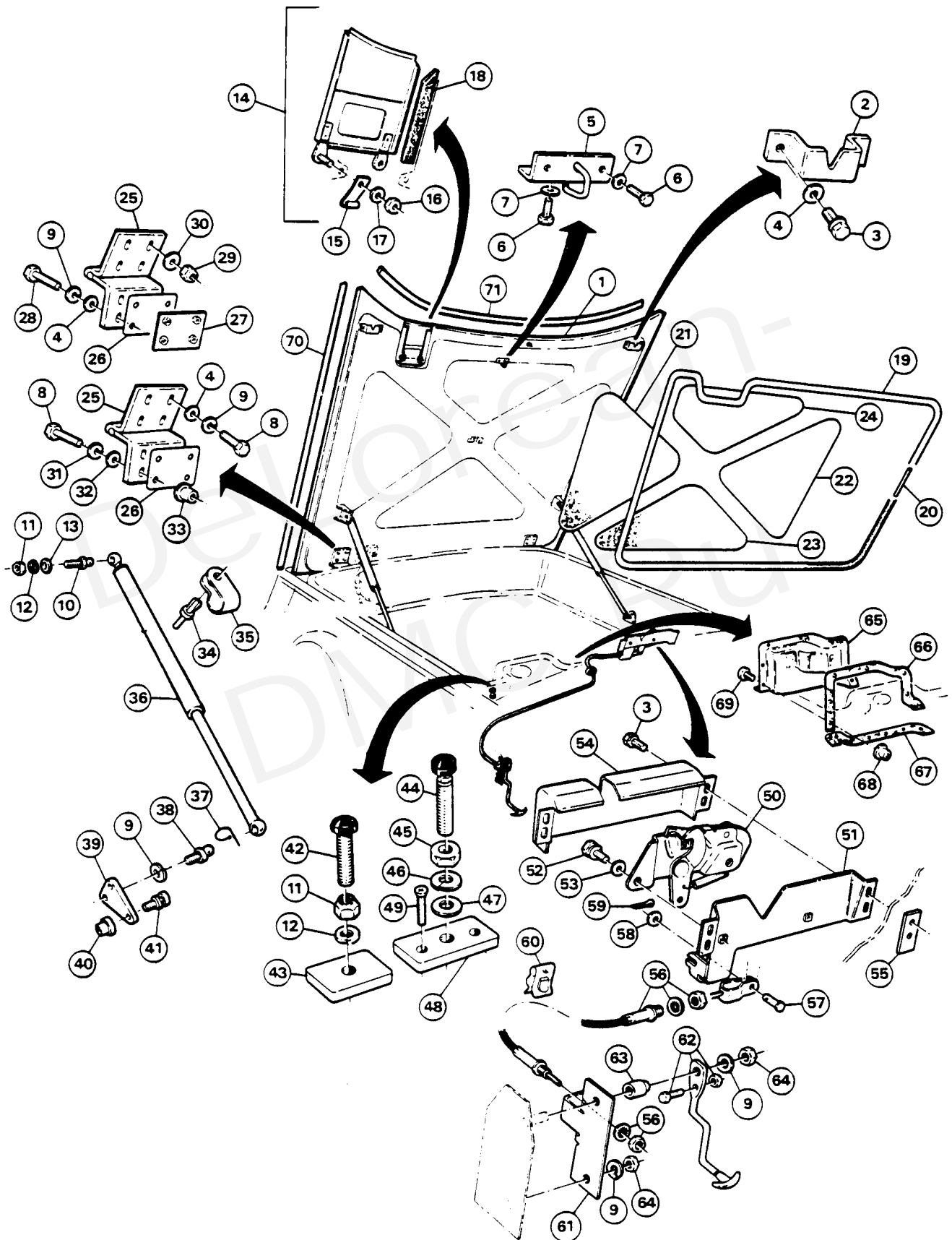
LUGGAGE COMPARTMENT COVER

FIG.	PART NUMBER	DESCRIPTION	QTY	REMARKS
1	109096	BASIC BONNET ASSEMBLY	1	UP TO VIN SERVICE
	109134	BASIC BONNET ASSEMBLY	1	FROM VIN BULLETIN TO VIN 10000
	109245	BASIC BONNET ASSEMBLY	1	FROM VIN TO FOLLOW
2	106630	. INTRUSION BRACKET	2	
3	SP10674	. SEMS SCREW M6	4	
4	SP10031	. WASHER M6	4	
5	106643	. STAPLE	1	
6	SP10542	. SCREW M4	4	
7	SP10251	. WASHER M4	4	
8	SP10227	. SCREW M6	8	UP TO VIN 1301
9	SP10252	. SPRING WASHER M6	8	UP TO VIN 1301
10	108313	. STRUT CONNECTOR	2	
11	SP10037	. NUT M8	2	
12	SP10035	. SPRING WASHER M8	2	
13	SP10032	. WASHER M8	2	
14	100526	FUEL FLAP ASSEMBLY	1	UP TO VIN
15	101560	. SPRING	2	UP TO VIN
16	SP10657	LOCKNUT M4	2	UP TO VIN
17	SP10658	WASHER M4	2	UP TO VIN
18	105603	BUMP STOP, LONG	1	UP TO VIN
	106797	BUMP STOP, SHORT	1	UP TO VIN
19	100539	HOOD SEAL	1	UP TO VIN
	108737	HOOD SEAL	1	FROM VIN
20	108486	HOOD SEAL PLUG	1	
21	108541	CARPET LH	1	
22	108542	CARPET RH	1	
23	108543	CARPET, FRONT	1	
24	108544	CARPET, REAR	1	
25	100570	HINGE	2	
26	108314	FRICION PAD	2	
27	108583	HOOD HINGE BACK PLATE	2	FROM VIN 1302
28	SP10015	SCREW M6	8	FROM VIN 1302
29	SP10024	NYLOC NUT M6	8	FROM VIN 1302
30	SP10256	WASHER M6	8	FROM VIN 1302
31	SP10509	SPRING WASHER M6	8	FROM VIN 1301
32	SP10508	WASHER M6	8	UP TO VIN 1301
33	SP10609	RIVNUT Mff	8	UP TO VIN 1301
35	SP10390	'P' CLIP	1	
34	SP10282	BETA RIVET	1	
36	105063	NON LOCK GAS STRUT	2	
37	108109	SAFETY CLIP	4	
38	106697	STRUT CONNECTOR	2	
39	105260	GAS STRUT MT BRACKET	2	
41	SP10454	SEMS SCREW M5	6	

SERVICE BULLETIN
TO FOLLOW

FRAME/BODY
LUGGAGE COMPARTMENT COVER

SECTION
SUBSECTION
8 4 2 GROUP



8-4-2-1-18-82

8

SECTION

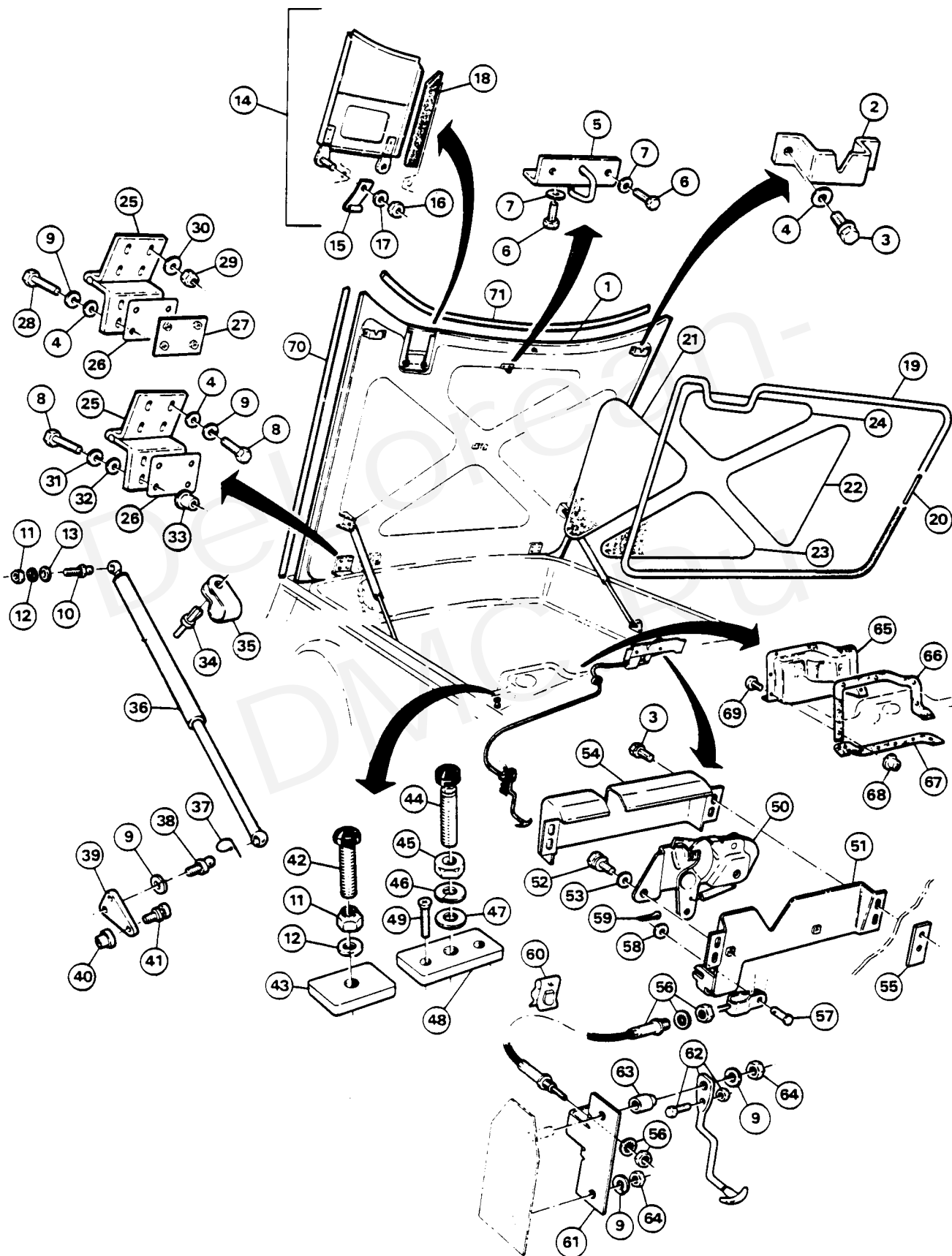
SUBSECTION

4 / 2 GROUP

FRAME/BODY

LUGGAGE COMPARTMENT COVER

FIG.	PART NUMBER	DESCRIPTION	QTY	REMARKS
40	SP10611	RIVNUT M5	6	
42	106631	HOOD BUMPER STOP	2	UP TO VIN
43	108043	SECURING BLOCK	2	UP TO VIN
44	110186	BUFFER	2	FROM VIN
45	108764	LOCK NUT	2	FROM VIN
46	SP10036	SPRING WASHER M10	2	FROM VIN
47	108765	WASHER	2	FROM VIN
48	110097	SECURING BLOCK	2	FROM VIN
49	SP10649	COUNTERSUNK SCREW M4	2	
50	100571	BONNET LOCK	1	
51	106644	HOOD LATCH BRACKET	1	
52	SP10456	SEMS SCREW M6	2	
53	SP10507	LARGE WASHER M6	2	
54	106944	LATCH COVER	1	
55	106638	SECURING PLATE	2	
56	100572	CABLE	1	
57	SP10823	CLEVIS PIN	1	
58	SP10111	WASHER M5	2	
59	SP10124	PATTERN SPRING	1	
60	SP10668	CABLE CLIP	2	
61	101165	HOOD RELEASE BRACKET	1	
62	108589	HOOD RELEASE LEVER	1	
63	106941	SHOULDERED SPACER	1	
64	SP10030	NUT M6	2	
65	106002	FUEL FILL CLSG PNL	1	SEE 8-2-1
66	108909	GASKET-UPPER	1	
67	108910	GASKET-LOWER	1	
68	SP10611	RIVNUT M5	14	
69	SP10194	SCREW M5 x 16	14	
70	111388	EDGING STRIP	2	
71	111389	EDGING STRIP		



8

SECTION

SUBSECTION

4 / 3 GROUP

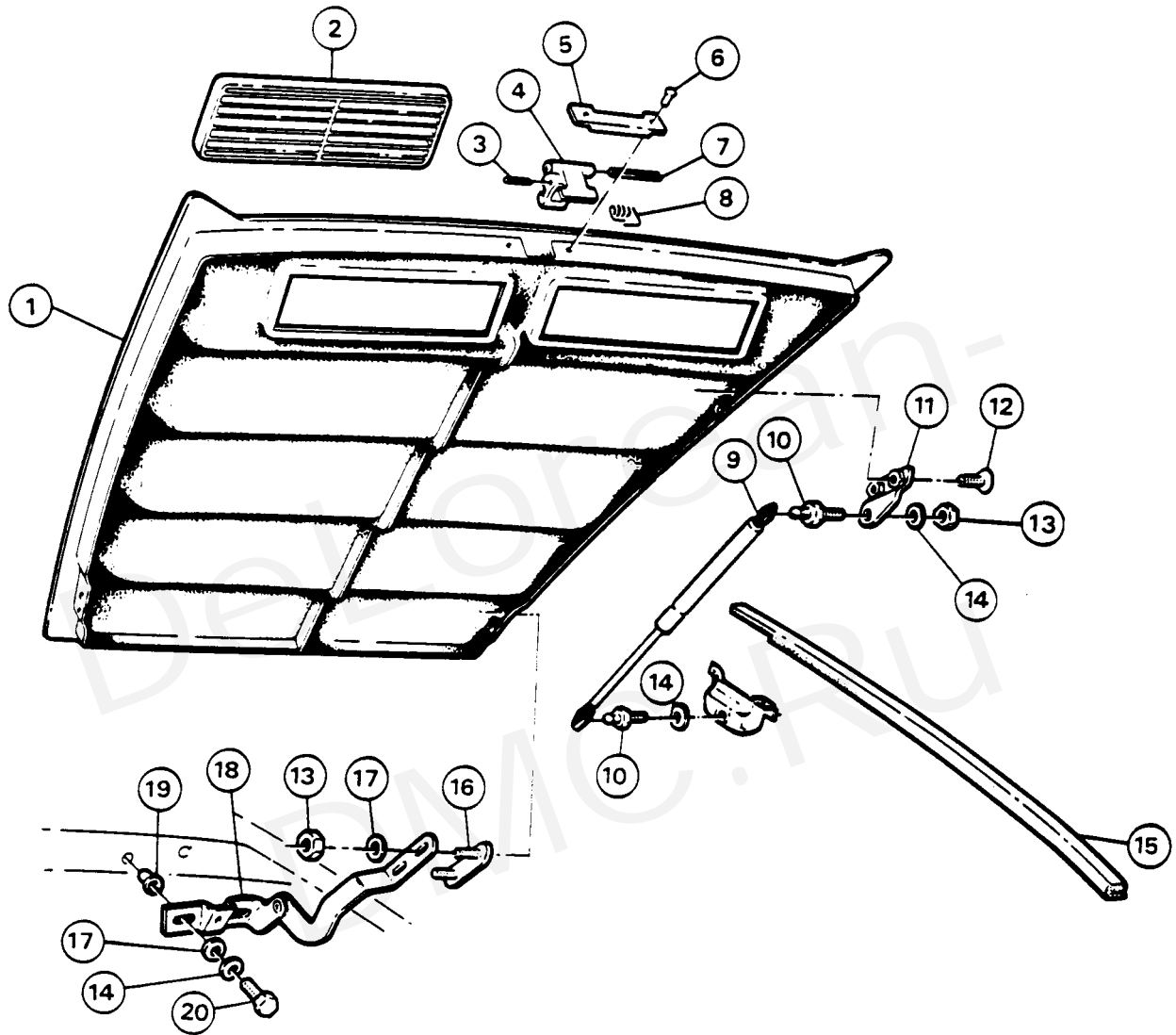
FRAME/BODY

ENGINE COMPARTMENT COVER (UPPER)

FIG.	PART NUMBER	DESCRIPTION	QTY	REMARKS
1	100594	LOUVRE	1	
2	105516	LOUVRE PANEL GRILL	2	
3	SP10679	STEEL TENSION PIN	1	
4	106080	LATCH	1	
5	106359	LUV LATCH CVR PLT	1	
6	SP10276	POP RIVET	2	
7	SP10813	STEEL TENSION PIN	1	
8	106079	SPRING	1	
9	108209	NON-LOCK GAS STRUT	2	
10	106697	GAS STRUT CONN	4	
11	105972	GAS STRUT BRKT RH	1	
	105973	GAS STRUT BRKT LH	1	
12	SP10051	SCREW M6	4	
13	SP10684	NUT M8	6	
14	SP10035	SPRING WASHER M8	8	
15	108720	SUPPORT BUFFER RH	1	
	108721	SUPPORT BUFFER LH	1	
16	106964	PLATE & STUD	2	
17	SP10032	WASHER M8	8	
18	101568	HINGE RH	1	
	101569	HINGE LH	1	
19	SP10758	RIVNUT M8	4	
20	SP10686I	SCREW M8	1	

FRAME/BODY
ENGINE COMPARTMENT COVER (UPPER)

SECTION
8
SUBSECTION
4
GROUP
3



8

SECTION

SUBSECTION

4 / 4 GROUP

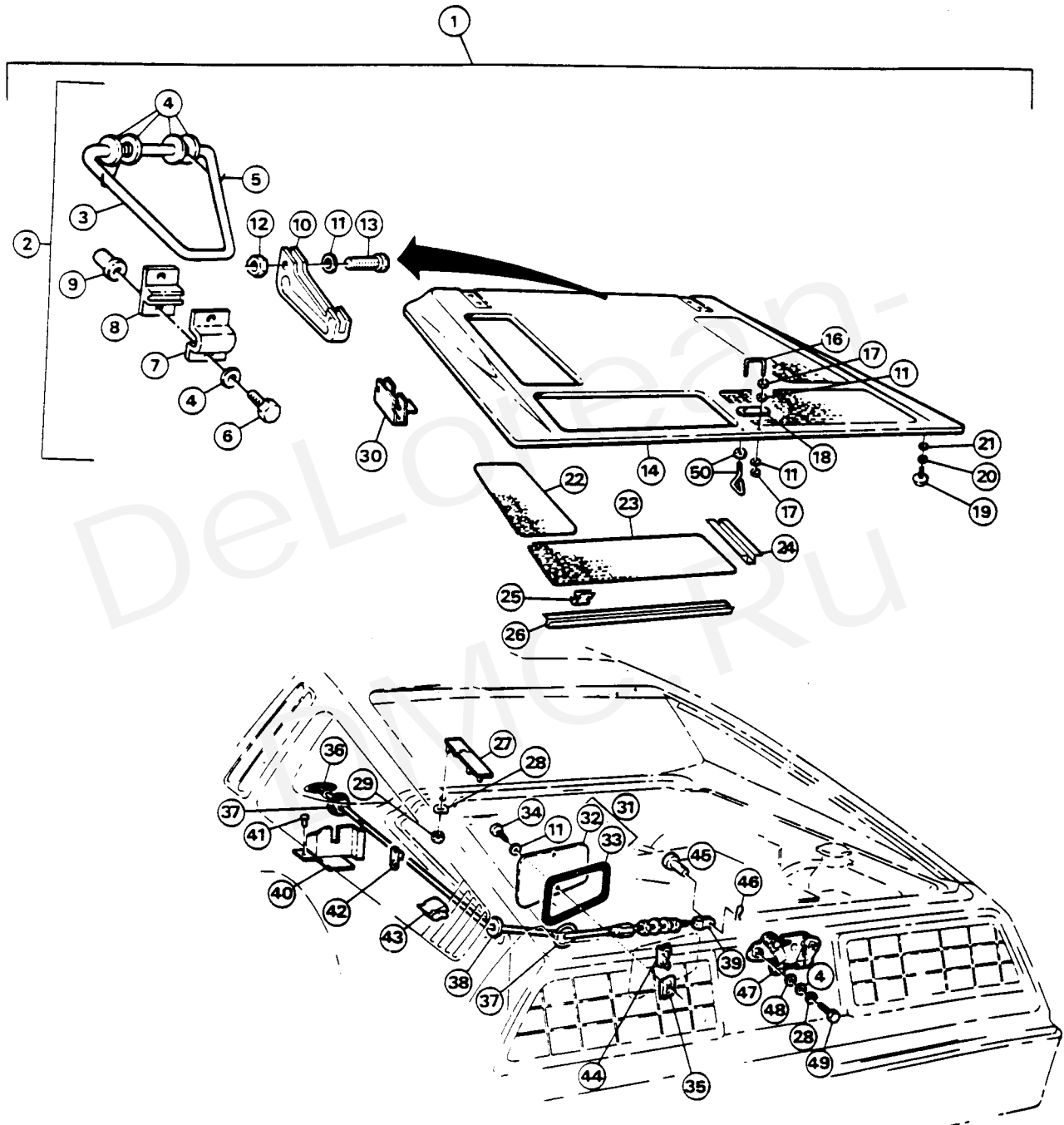
FRAME/BODY

ENGINE COMPARTMENT COVER (LOWER)

FIG.	PART NUMBER	DESCRIPTION	QTY	REMARKS
1	108088	ENGINE CVR ASSY	1	
2	106363	. ENGINE CVR STAY ASSY	1	
3	106355	..STAY	1	
4	SP10252	..WASHER M6	16	
5	106354	..SPRING	1	
6	SP10781	..SCREW M6.	2	
7	106357	..UPPER PIV BLOCK	1	
8	106358	..LWR PIV BLOCK	1	
9	SP10613	..RIVNUT M6	2	
10	106356	..SLIDING BLOCK	1	
11	SP10251	..WASHER M4	6	
12	SP10166	..NYLOC NUT M4	2	
13	SP10197	..SCREW M4	2	
14	100593	. ENG COMPT CVR	1	
16	106083	. STRIKER BAR	1	
17	SP10685	. NUT M4	4	
18	106799	. COVER PLATE	1	
19	106801	. BUFFER	2	
20	SP10078	. NUT M5	2	
21	SP10111	. WASHER M5	2	
22	105604	. ENGINE CVR GRILL FRT RH	1	
	105605	. ENGINE CVR GRILL FRT LH	1	
23	105606	. ENGINE CVR GRILL RR RH	1	
	105607	. ENGINE CVR GRIU RR LH	1	
24	108465	. RET ENG CVR GRILL	1	
25	SP10672	. EDGE CUP	48	
26	106388	. RET STRIP 486 LG	4	
	106389	. RET STRIP 300 LG	2	
	106390	. RET STRIP 248 LG	2	
	106391	. RET STRIP 218 LG	4	
	106392	. RET STRIP 145 LG	6	
27	101542	. HINGE	2	
28	SP10252	. SPRING WASHER M6	10	
29	SP10690	. NUT M6	8	
30	SP10843	. LGT SW ACTUATOR	1	
31	106776	ACCESS PANEL ASSY	1	
32	1067771	. ACCESS PANEL	1	
33	106778	. GASKET	1	
34	SP10133	SCREW N8	2	
35	SP10702	SPIRE CAPTIVE NUT	2	
36	106804	CVR RELEASE CABLE	1	
37	106291	. GROMMET	2	
38	108140	. GROMMET	1	
39	106810	CLEVIS	1	

FRAME/BODY
ENGINE COMPARTMENT COVER (LOWER)

SECTION
8
SUBSECTION
4
GROUP
4



8

SECTION

SUBSECTION

4 / **4** GROUP

FRAME/BODY

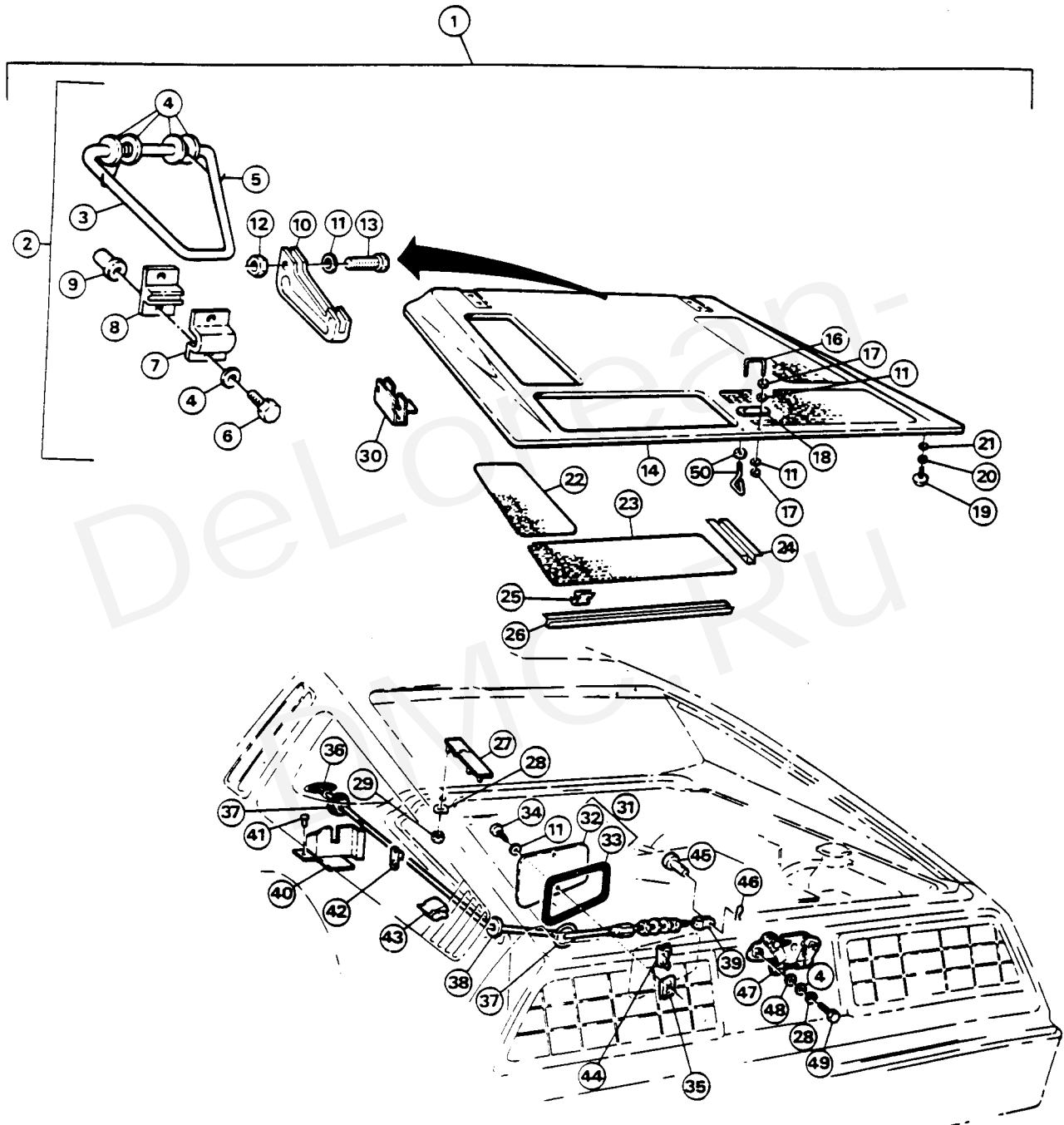
ENGINE COMPARTMENT COVER (LOWER)

FIG.	PART NUMBER	DESCRIPTION	QTY	REMARKS
40	106710	MOUNTING BRACKET	1	
41	SP10680	POP RIVET	2	
42	SP10668	CABLE CLIP	3	
43	SP10784	EDGE CLIP	1	
44	SP10704	CABLE SLIP ANCHOR	1	
45	SP10838	CLEVIS PIN	1	
46	SP10839	PATTERN SPRING	1	
47	101574	LOCK & LATCH	1	
48	SP10507	LARGE WASHER M6	2	
49	SP10675	SCREW M6	2	

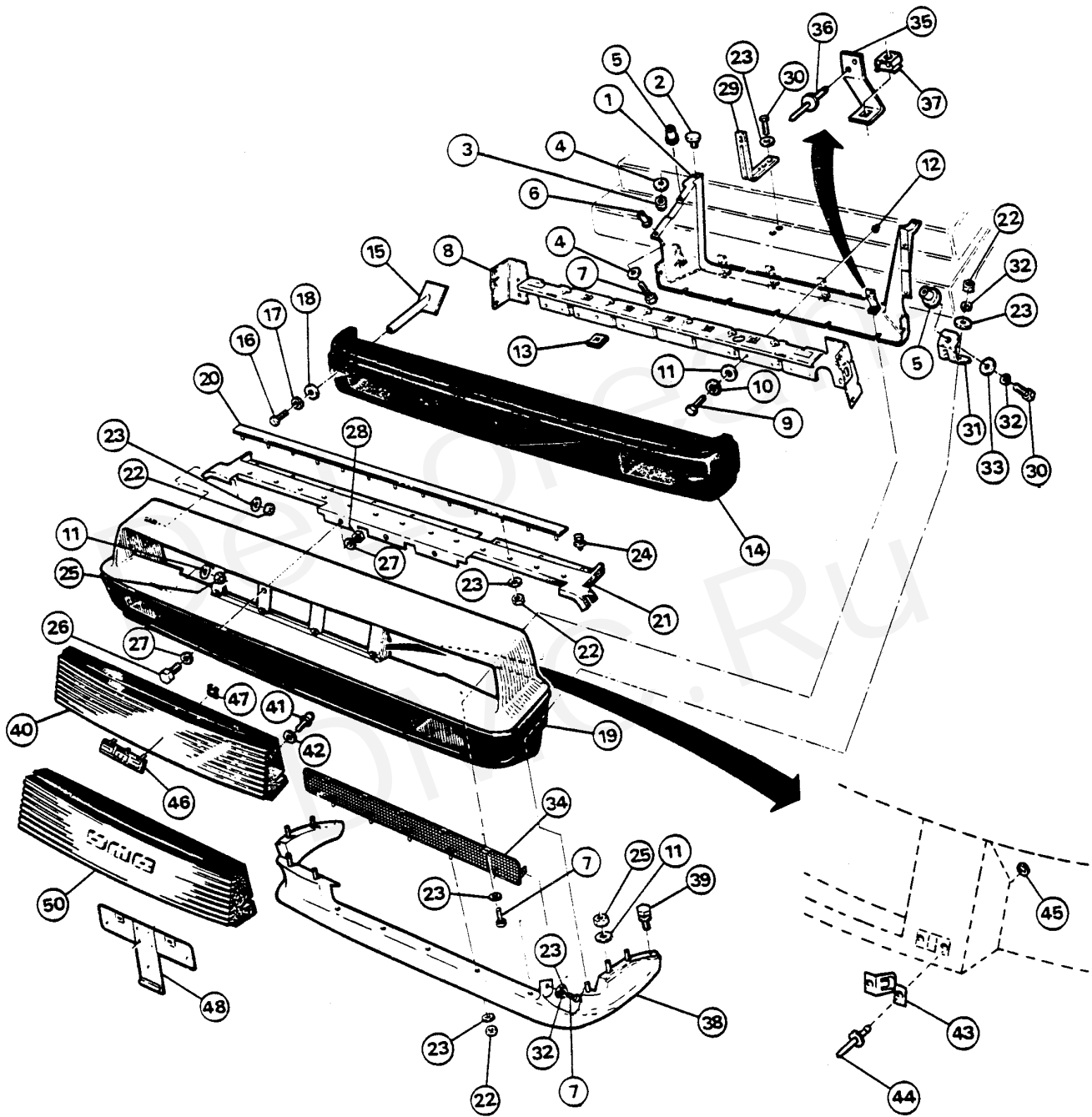
8-4-4-1-13-82

FRAME/BODY
ENGINE COMPARTMENT COVER (LOWER)

SECTION
8
SUBSECTION
4
GROUP
4



SECTION		FRAME/BODY		
SUBSECTION		FRONT BUMPER/GRILLE		
8	5	0	GROUP	
FIG.	PART NUMBER	DESCRIPTION	QTY	REMARKS
1	105506	RADIATOR DUCT	1	
2	SP10250	BIG HEAD STUD M6	2	
3	SP10024	NYLOC NUT M6	2	
4	SP10031	WASHER M6	2	
5	SP10614	RIVNUT M6	2	
6	SP10678	RIVNUT M6	2	
7	SP10041	SCREW M6	4	
8	108098	FRT END SUPT PANEL	1	
9	SP10227	SCREW M6	14	
10	SP10509	SPRING WASHER M6	14	
11	SP10508	WASHER M6	14	
12	SP10774	RIVNUT M6	14	
13	SP10169	CAPTIVE SPIRE NUT	9	
14	100598	FRONT BUMPER	1	
15	101435	MOUNTING	2	
16	SP10009	SCREW M8	2	
17	SP10035	SPRING WASHER M8	2	
18	SP10032	WASHER M8	2	
19	100310	FRONT END FASCIA (LIGHT GLOSS)	1	UP TO VIN
	110122	FRONT END FASCIA (DARK GLOSS)	1	FROM VIN
20	106321	FR FASCIA RET STRIP	1	UP TO VIN
	110218	FR FASCIA RET STRIP	1	FROM VIN
21	105678	FR FASCIA REINF PNL	1	
22	SP10030	NUT M6	15	
23	SP10256	LARGE WASHER M6	15	
24	SP10459	SEMS SCREW N8	9	
25	SP10676	AERONUT M6	2	
26	SP10201	SCREW M4	3	
27	SP10251	WASHER M4	6	
28	SP10162	NUT M4	3	
29	105664	FRT FASCIA MID SUPT	1	
30	SP10005	SCREW M6	2	
31	105189	FRT LWR BRKT LH	2	
	105190	FRT LWR BRKT RH	2	
32	SP10252	SPRING WASHER M6	4	
33	SP10507	EXTRA LARGE WA M6	4	
34	101628	RAD/S/ GUARD GRILLE	1	
35	108466	FRT FASCIA BRKT	5	
36	SP10273	POP RIVET	10	
37	SP10158	SPIRE NUT RET	5	
38	100632	SPOILER	1	
39	SP10662	SEMS SCREW M5	2	
40	100344	GRILLE	1	UP TO VIN SERVICE BULLETIN TO FOLLOW



8

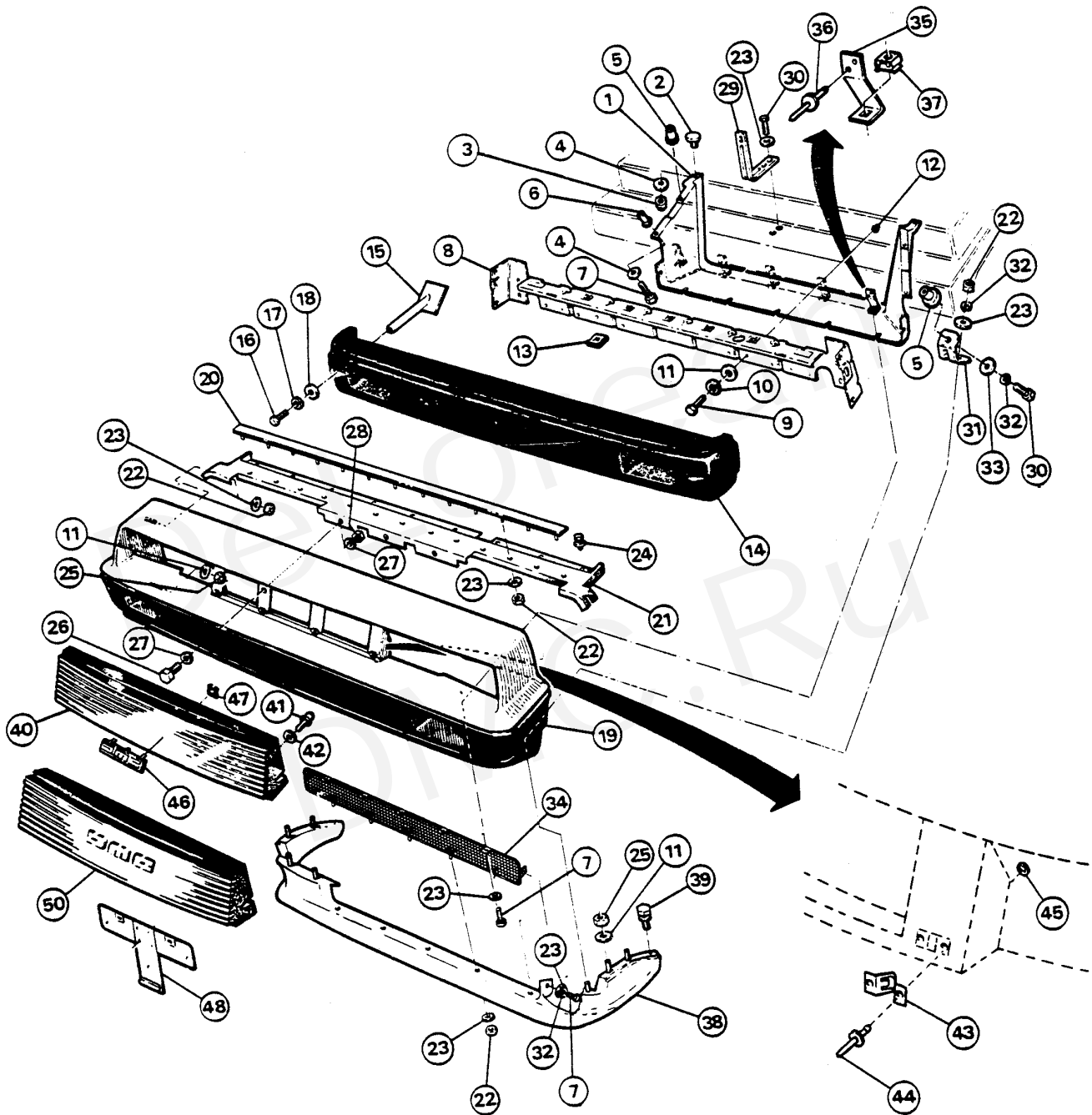
SECTION

SUBSECTION

5 / **0** GROUPFRAME/BODY
FRONT BUMPER/GRILLE

FIG.	PART NUMBER	DESCRIPTION	QTY	REMARKS
41	SP10673	BALL STUD	8	UP TO VIN
	SP10673	BALL STUD	4	FROM VIN
42	SP10111	WASHER M5	8	UP TO VIN
	SP10111	WASHER M5	4	FROM VIN
43	SP10333	SPRING LATCH	8	UP TO VIN
	SP10333	STRING LATCH	4	FROM VIN
44	SP10129	POP RIVET	16	UP TO VIN
	SP10129	POP RIVET	8	FROM VIN
45	SP10094	SPRING WASHER M3	16	UP TO VIN
	SP10094	SPRING WASHER M3	8	FROM VIN
46	108511	DMC EMBLEM	1	UP TO VIN
47	SP10418	SPIRE FIX	3	UP TO VIN
48	108025	FT LIC PLT BRKT		
50	110581	GRILLE	1	FROM VIN

SERVICE BULLETIN
TO FOLLOWDeLorean-
DMC.Ru



8

SECTION

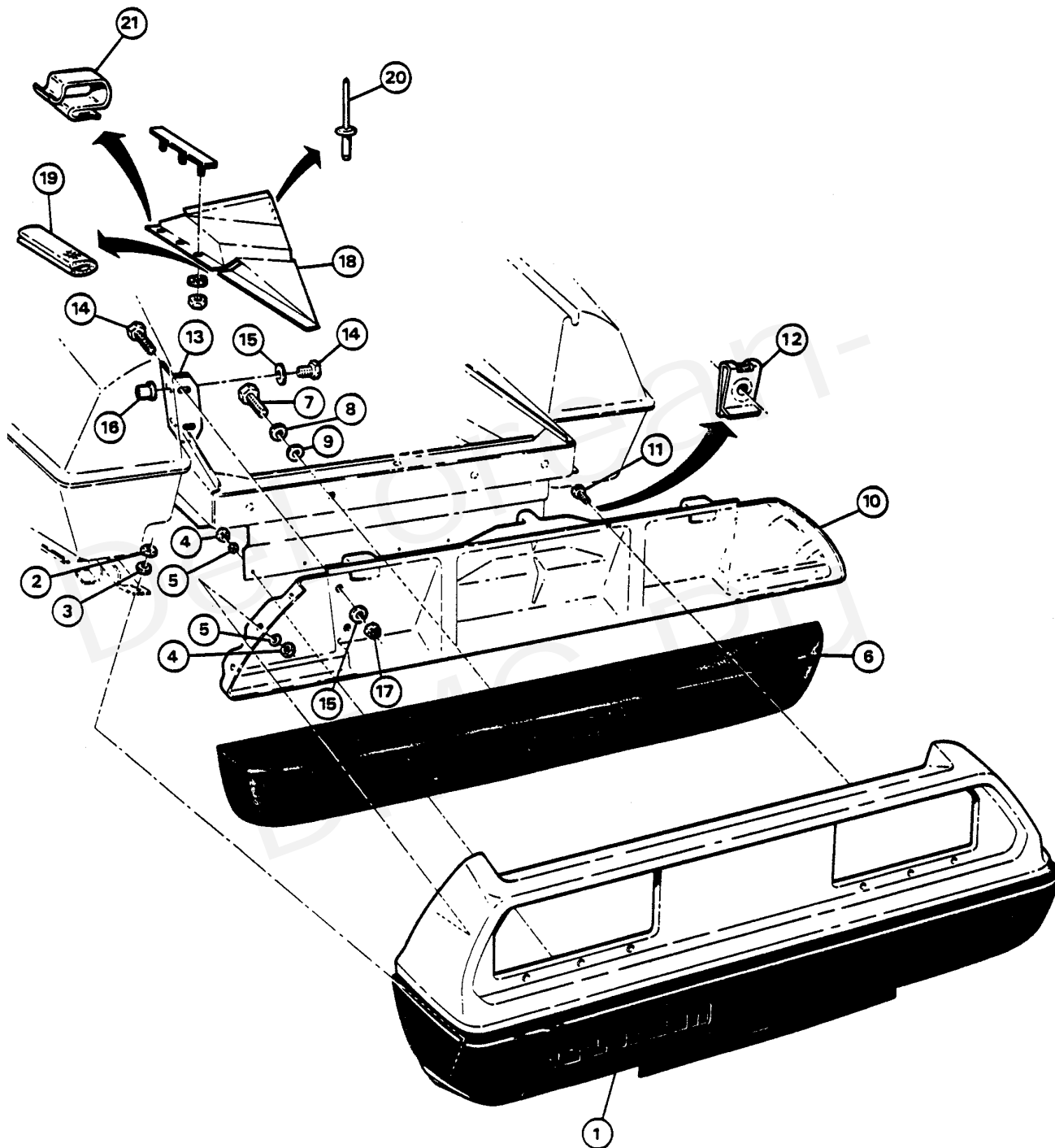
SUBSECTION

5 / **1** GROUP

FRAME/BODY

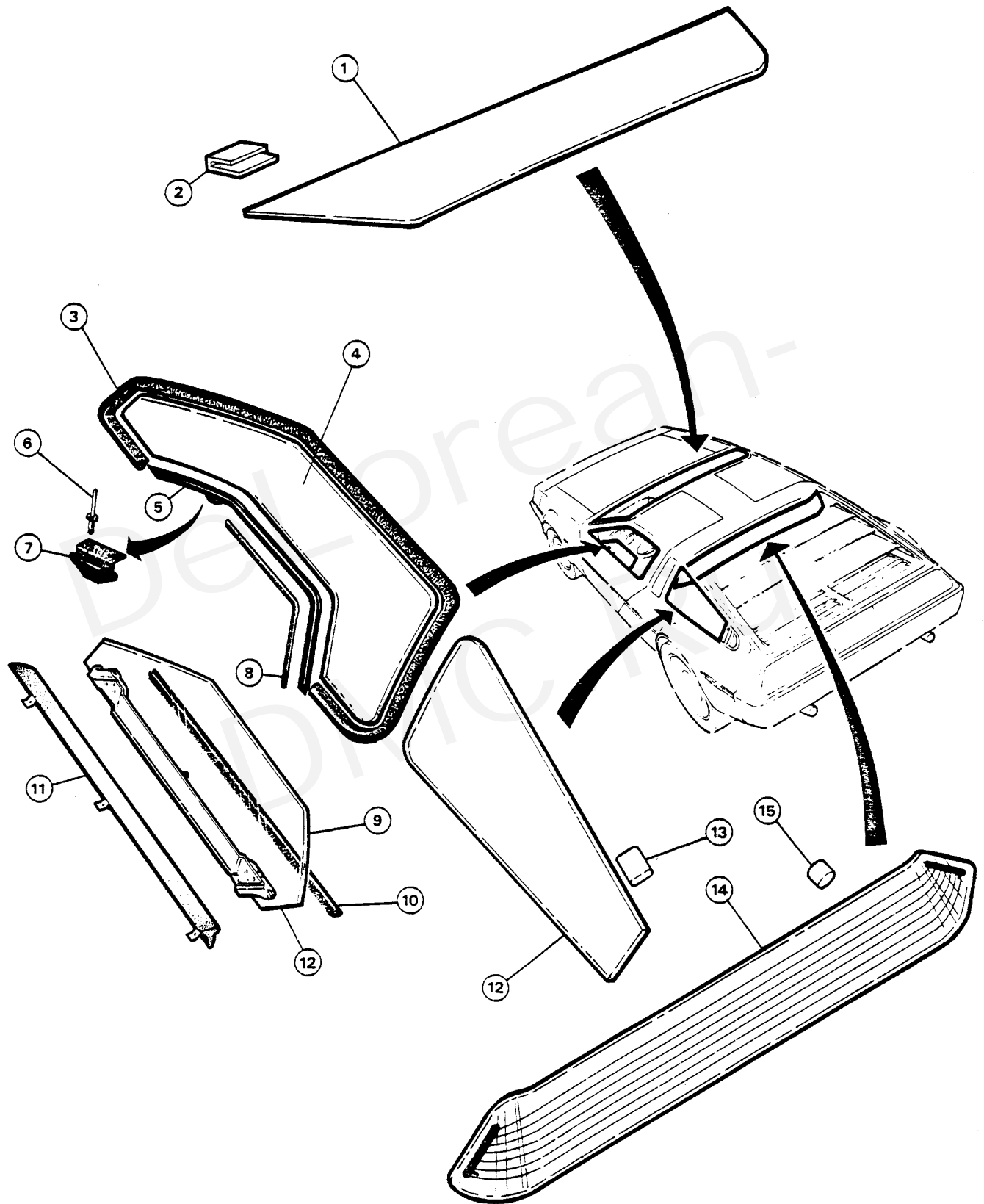
REAR BUMPER/FASCIA/DEFLECTION PLATES

FIG.	PART NUMBER	DESCRIPTION	QTY	REMARKS
1	100311	REAR FASCIA	1	
2	SP10699	NUT M6	2	
3	SP10263	WASHER M6	2	
4	SP10030	NUT M6	13	
5	SP10031	WASHER M6	13	
6	100599	REAR BUMPER	1	
7	SP10698	SCREW M12 -	4	
8	SP10118	SPRING WASHER M12	4	
9	SP10034	WASHER M12	4	
10	101477	RR CLOSING PANEL	1	
11	SP10546	SCREW M10	9	
12	SP10547	CAPTIVE NUT	9	
13	101546	RR CLOSING PNL BRKT	2	
14	SP10002	SCREW M8	8	
15	SP10730	WASHER M8	12	
16	SP10615	RIVNUT M8	4	
17	SP10025	NYLOC NUT M8	4	
18	106733	AIR DEFL PLATE LH	1	
	106734	AIR DEFL PLATE RH	1	
19	SP10763	EDGE STRIP	1	
20	SP10292	POP RIVET	6	
21	SP10553	EDGE CLIP	10	



8	SECTION	FRAME/BODY GLASS SECTIONS
	SUBSECTION	
	6 / 0 GROUP	

FIG.	PART NUMBER	DESCRIPTION	QTY	REMARKS
1	100623	GLASS FRONT-SECTION	1	
	110076	GLASS FRONT-SECTION	1	
2	110253	SCREEN SPACER	8	
3	108533	FIXED GLASS FIN LH	1	
	108534	FIXED GLASS FIN RH	1	
4	105554	DOOR FIXED GLASS RH	1	
	105555	DOOR FIXED GLASS LH	1	
5	105942	DROP GLA DIV CHAN RH	1	
	105943	DROP GLA DIV CHAN LH	1	
6	SP10845	. POP RIVET	2	QUANTITY PER ASSEMBLY
7	106292	. GLASS STA8 GUIDE	1	QUANTITY PER ASSEMBLY
8	101726	GLASS RUN CHANNEL	2	
9	106207	GLASS & CARR LH	1	
	106208	GLASS &~ CARR RH	1	
10	106063	INTR DROP GLASS SEAL	2	
11	106128	OUTER WIPE SEAL LH	1	
	106129	OUTER WIPE SEAL RH	1	
12	105786	RR QUARTER GLASS RH	1	
	105787	RR QUARTER GLASS LH	1	
13	106612	SPACING BLOCK	16	
14	100624	GLASS-REAR SCREEN	1	
15	106611	SPACING BLOCK	8	



8

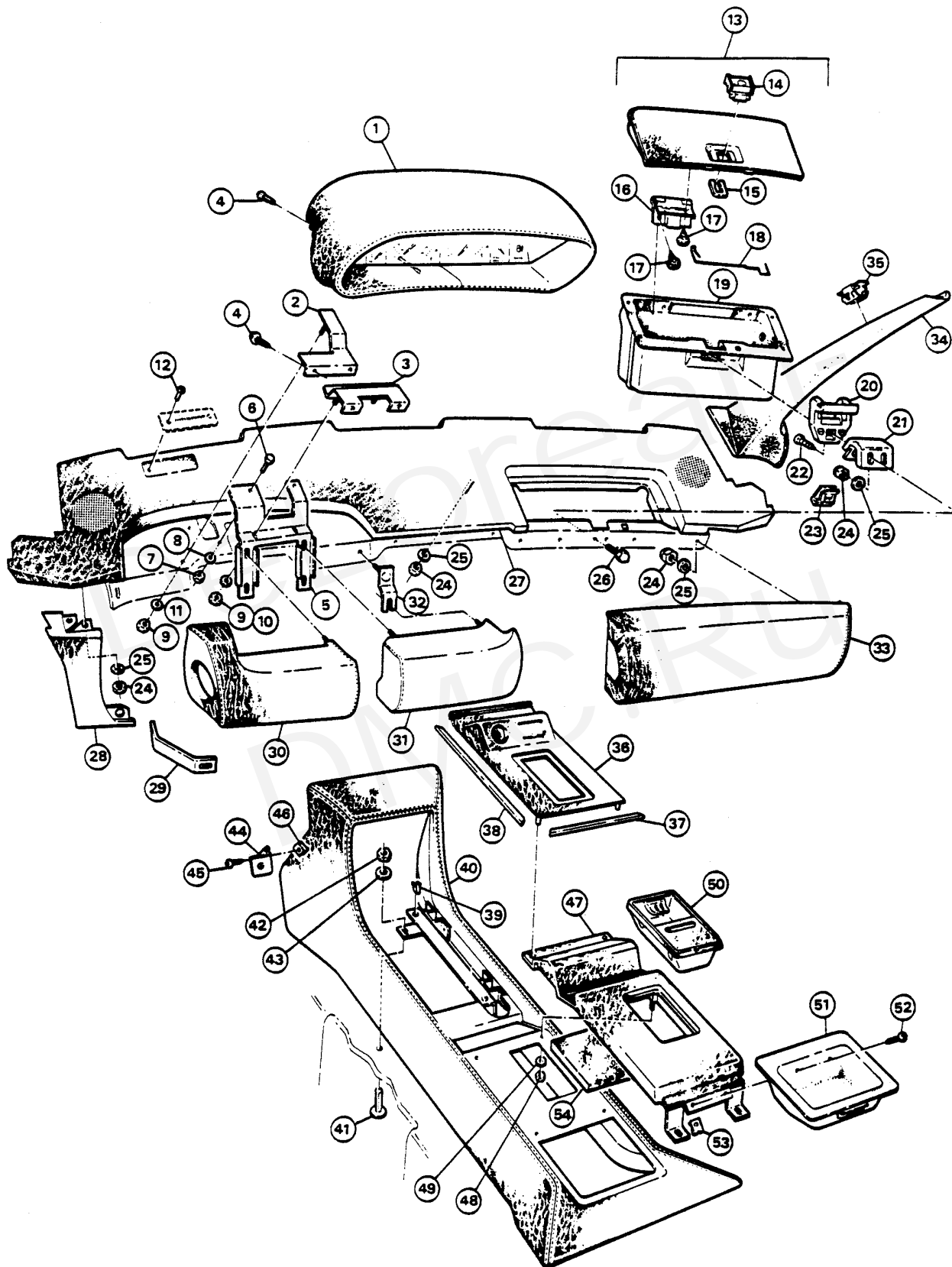
SECTION

SUBSECTION

7 0 GROUP

FRAME/BODY
DASHBOARD/CONSOLE

FIG.	PART NUMBER	DESCRIPTION	QTY	REMARKS
1	101854	BINNACLE I(BLACK CAR)	1	FOR GREY CAR 110436
2	106625	BINNACLE BRKT OTR RH	1	
	106627	BINNACLE BRKT OTR LH	1	
3	106623	BCLE BRKT CENTER RR	1	
4	SP10430	SCREW N8	8	
5	106622	8CLE BRKT CENTER FRT	1	
6	SP10113	SCREW M5	2	
7	SP10106	NYLOC NUT M5	2	
8	SP10111	WASHER M5	2	
9	SP10166	NYLOC NUT M4	2	
10	SP10251	WASHER M4	2	
11	SP10117	WASHER M5	4	
12	SP10297	POP RIVET	2	
13	101321	GLOVE BOX LID ASSY (BLACK CAR)	1	1 FOR GREY CAR 110438
14	108555	. CATCH	1	
15	108556	. CLIP	1	
16	100668	. HINGE	2	
17	SP10432	. SCREW N8	4	
18	108935	. TORSION BAR	1	
19	101329	GLOVE BOX	1	
20	108557	CATCH PLT STRIKER	1	
21	108558	CATCH PLT BRKT	1	
22	SP10430	SCREW N8	1	
23	SP10169	CAPTIVE NUT	1	
24	SP10024	NYLOC NUT M6	6	
25	SP10031	WASHER M6	6	
26	SP10041	SCREW M6	2	
27	105443	INST PANEL FASCIA (BLACK CAR)	1	1 FOR GREY CAR 110440
	SP10252	SPRING WA M6	4	NOT ILL
	SP10030	NUT	4	NOT ILL
28	105736	END PANEL FASCIA RH (BLACK CAR)	1	FOR GREY CAR 110442
	105737	END PANEL FASCIA LH (BLACK CAR)	1	FOR GREY CAR 110443
29	105283	BRACKET LH		
	105284	BRACKET RH		
	108706	GAITER, STEERING COLUMN	1	NOT ILL-FROM VIN 1346
30	108594	FR ROLL DRIVER OTR (BLACK CAR)	1	FOR GREY CAR 110462
31	108592	FR ROLL DRIVER INNER (BLACK CAR)	1	FOR GREY CAR 110460
32	105139	BRACKET	1	



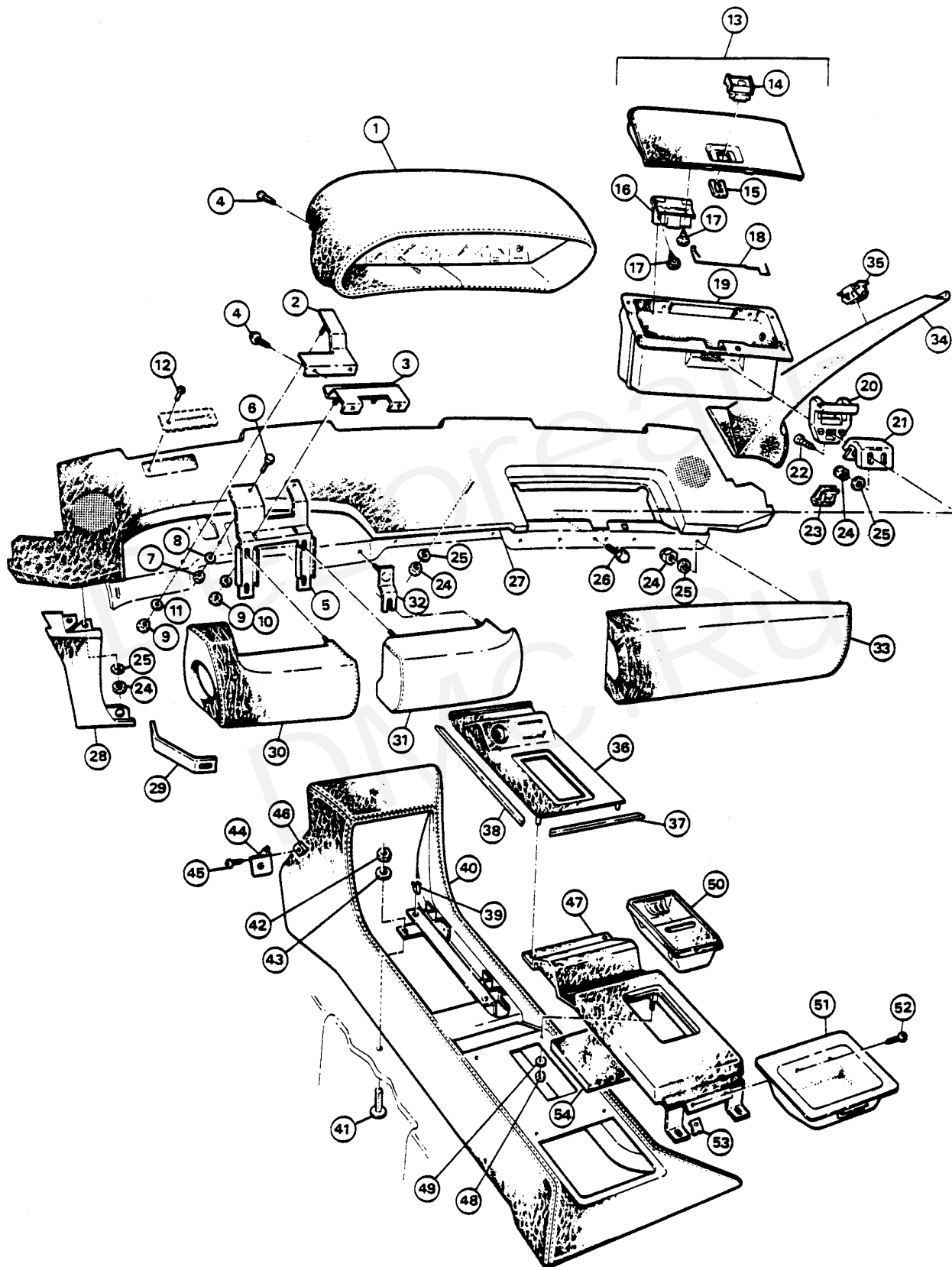
8

SECTION

SUBSECTION

7 **0** GROUPFRAME/BODY
DASHBOARD/CONSOLE

FIG.	PART NUMBER	DESCRIPTION	QTY	REMARKS
33	108590	FRONT ROLL PASS (BLACK CAR)	1	FOR GREY CAR 110458
34	110034	'A' POST TRIM RH (BLACK CAR)	1	FOR GREY CAR 110454
	1 10035	'A' POST TRIM LH (BLACK CAR)	1	FOR GREY CAR 110455
35	196910	STUD RET CLIP	4	
36	108240	FRONT PANEL	1	UP TO VIN 6158
	110325	FRONT PANEL	1	FROM VIN 6159
37	108272	EDGING STRIP	1	
38	106798	EDGING STRIP	2	
39	SP10557	EMBLEM CLIP	4	
40	100683	CON CNSL TRM (BLACK CAR)	1	FOR GREY CAR 110446
41	SP10341	BIG HEAD STUD M6	6	
42	SP10030	NUT M6	6	
43	SP10042	SHAKEPROOF WASHER M6	6	
44	108095	BRACKET LH	1	
	108096	BRACKET RH	1	
45	SP10135	SCREW N8	2	
46	SP10132	SPIRE NUT	2	
47	108239	ARMREST CON CNSL (BLACK CAR)	1	FOR GREY CAR 110523
48	SP10162	NUT M4	4	
49	SP10254	SPRING WASHER M4	4	
50	108748	ASH TRAY	1	
51	108232	CENTER CONSOLE TRAY (BLACK CAR)	1	FOR GREY CAR 110521
52	SP10431	SCREW N6	2	
53	SP10766	SPIRE CAPTIVE NUT N6	2	
54	108904	FOAM PAD		



8

SECTION

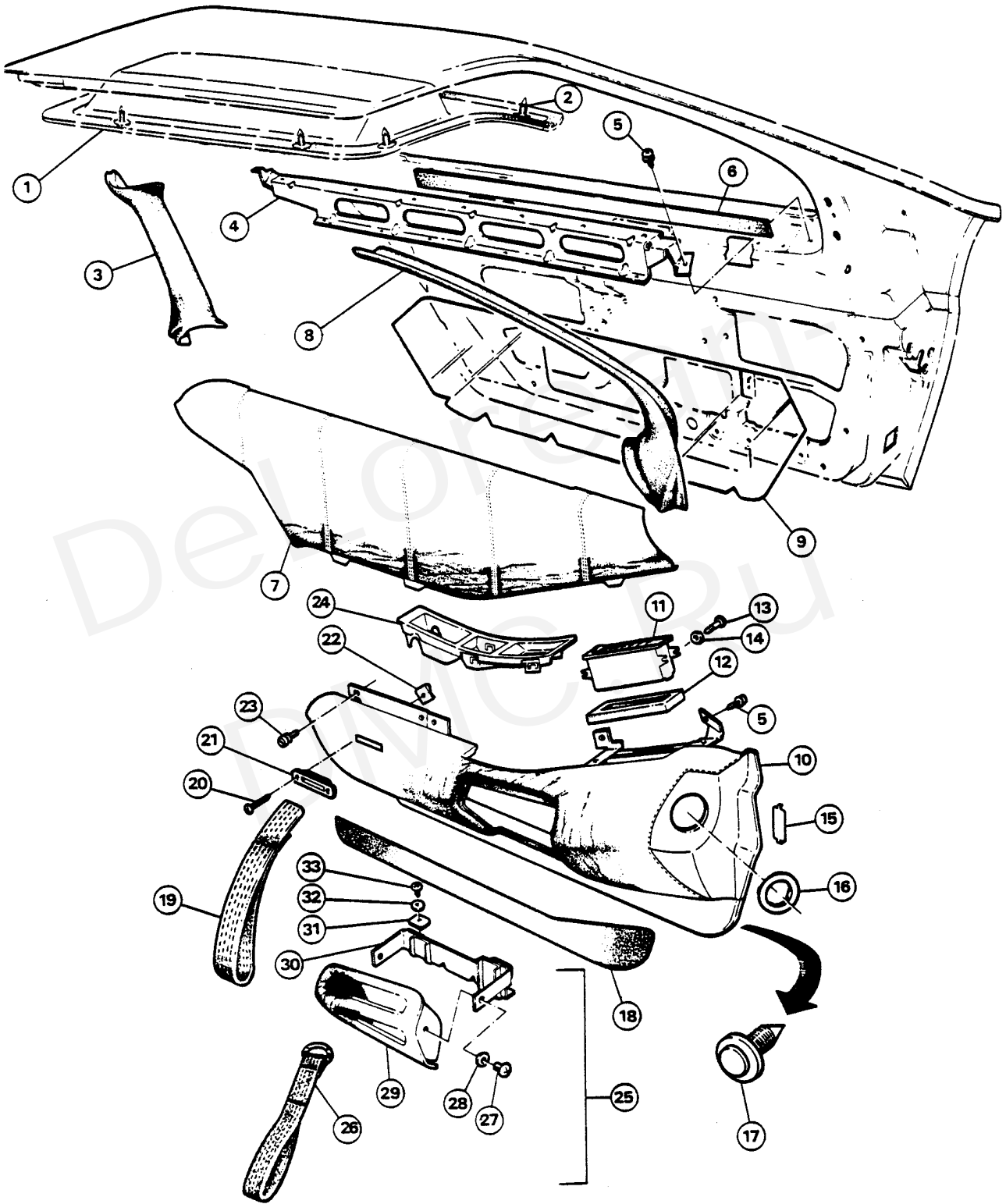
SUBSECTION

7 1 GROUP

FRAME/BODY

DOOR TRIM

FIG.	PART NUMBER	DESCRIPTION	QTY	REMARKS
1	110063	TRIM PAD UPPER LH	1	
	110062	TRIM PAD UPPER RH	1	
2	SP10671	FIR TREE (KEY HOLE)		
3	101878	TRIM PAD 'B' POST RH (BLACK CAR)	1	FOR GREY CAR 110500
	101879	TRIM PAD 'B' POST LH (BLACK CAR)	1	FOR GREY CAR 110501
4	108318	SUPT BRACKET LOWER RH		
	108319	SUPT BRACKET LOWER LH		
5	SP10462	SEMS SCREW N12	18	
6	106063	SEAL-DROP/GLS-INTERIOR	2	SEE 8-6-0
7	110174	TRIM PAD, LOWER RH (BLACK CAR)	1	FOR GREY CAR 110504
	110175	TRIM PAD, LOWER LH (BLACK CAR)	1	FOR GREY CAR 110505
8	101876	TRIM PAD 'A' POST RH (BLACK CAR)	1	FOR GREY CAR 110494
	101877	TRIM PAD 'A' POST LH (BLACK CAR)	1	FOR GREY CAR 110495
9	106368	PANEL SEALING RH		
	106369	PANEL SEALING LH		
10	110169	ARMREST ASSY LH (BLACK CAR)	1	UP TO VIN 5992
	110168	ARMREST ASSY RH (BLACK CAR)	1	UP TO VIN 5992
	110169	ARMREST ASSY LH (BLACK CAR)	1	FROM VIN 5993
	110168	ARMREST ASSY RH (BLACK CAR)	1	FROM VIN 5993
	110509	ARMREST ASSY LH (GREY CAR)	1	UP TO VIN 5992
	110508	ARMREST ASSY RH (GREY CAR)	1	UP TO VIN 5992
	110249	ARMREST ASSY LH (GREY CAR)	1	FROM VIN 5993
	110250	ARMREST ASSY RH (GREY CAR)	1	FROM VIN 5993
11	100761	. VENT OUTLET	2	
12	106265	. SEAL	2	
13	SP10457	. SEMS SCREW M5	4	
14	SP10117	. WASHER, LARGE M5	4	
15	108169	. STRIKER, PLATE	4	
16	1055I9	. RETAINING RING	2	
17	SP10715	. FIRTREE(ROUND HOLD)	2	



8

SECTION

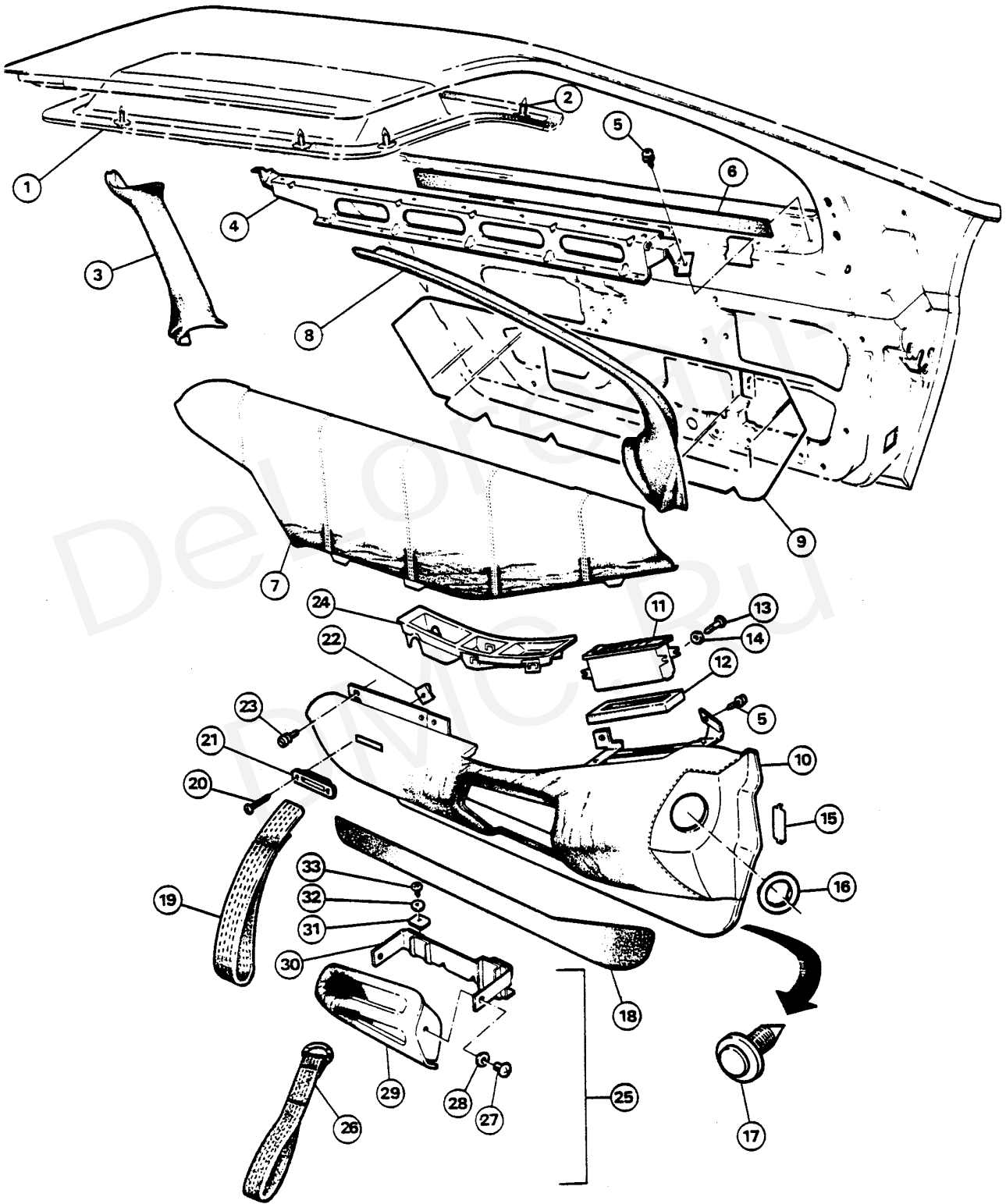
SUBSECTION

7 1 GROUP

FRAME/BODY

DOOR TRIM

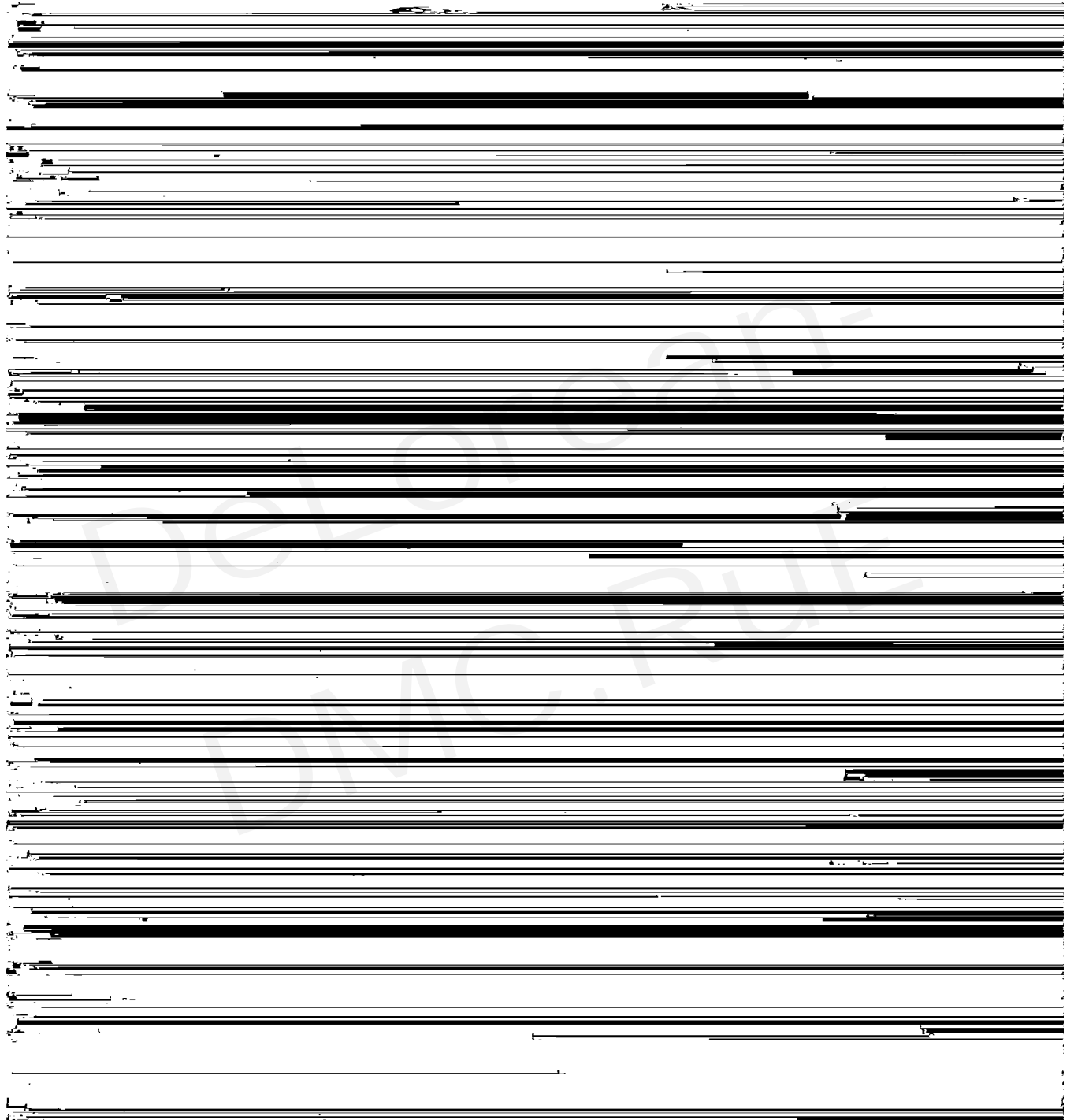
FIG.	PART NUMBER	DESCRIPTION	QTY	REMARKS
18	108082	. DOOR CARPET RH (BLACK CAR)	1	UP TO VIN 10578
	108083	. DOOR CARPET LH (BLACK CAR)	1	UP TO VIN 10578
	110380	. DOOR CARPET RH (BLACK CAR)	1	FROM VIN 10579
	110381	. DOOR CARPET LH (BLACK CAR)	1	FROM VIN 10579
	11136	. DOOR CARPET RH (GREY CAR)	1	UP TO VIN 10578
	111337	. DOOR CARPET LH (GREY CAR)	1	UP TO VIN 10578
	110336	. DOOR CARPET RH (GREY CAR)	1	FROM VIN 10579
	110337	. DOOR CARPET LH (GREY CAR)	1	FROM VIN 10579
19	110308	. PULL STRAP (BLACK CAR)	2	FROM VIN 5993
	110309	. PULL STRAP (GREY CAR)	2	FROM VIN 5993
20	SP10105	. N4 X 13 SCREW SIT	4	FROM VIN 5993
21	101539	. BEZEL	2	FROM VIN 5993
22	SP10476	. SPIRE FIX	4	FROM VIN 5993
23	SP1040	SEMS SCREW M6	20	
24	101888	ESCUTCHEON RH	1	
	101889	ESCUTCHEON LH		
25	108473	GRAB HANDLE ASSY LH (BLACK CAR)	1	FOR GREY CAR 110513
	108474	GRAB HANDLE ASSY RH (BLACK CAR)	1	FOR GREY CAR 110512
26	108658	. PULL STRAP (BLACK CAR)	2	UP TO VIN 5992
	111024	. PULL STRAP (GREY CAR)	2	
27	SP10463	. SCREW M6	4	
28	SP10252	. SPRING WASHER M6	4	
29	108061	. GRAB HANDLE LH (BLACK CAR)	1	FOR GREY CAR 111029
	108062	. GRABHANDLE RH (BLACK CAR)	1	FOR GREY CAR 111028
30	105090	. BRKT. GRAB HANDLE RH		
	105091	. BRKT. GRAB HANDLE LH		
31	108208	FRICITION PAD	4	
32	SP10256	WASHER PLAIN	8	
33	SP10465	SEMS SCREW M6	10	



SECTION		FRAME/BODY		
SUBSECTION		CARPETS		
8	7	2	GROUP	
FIG.	PART NUMBER	DESCRIPTION	QTY	REMARKS
1	108084	CARPET RR ARCH RH (BLACK CAR)	1	UP TO VIN 10578
	110468	CARPET RR ARCH RH (GREY CAR)	1	UP TO VIN 10578
	110344	CARPET RR ARCH RH	1	FROM VIN 10579
2	108204	RR BULKHEAD ASSY (BLACK CAR)	1	UP TO VIN 10578
	110852	RR BULKHEAD ASSY (GREY CAR)	1	UP TO VIN 10578
	109251	RR BULKHEAD ASSY	1	FROM VIN 10579
3	108085	CARPET RR ARCH LH (BLACK CAR)	1	UP TO VIN 10578
	110469	CARPET RR ARCH LH (GREY CAR)	1	UP TO VIN 10578
	110345	CARPET RR ARCH LH	1	FROM VIN 10579
4	105529	CARPET STORAGE COMPT (BLACK CAR)	1	UP TO VIN 10578
	110476	CARPET STORAGE COMPT (GREY CAR)	1	UP TO VIN 10578
	110333	CARPET STORAGE COMPT	1	FROM VIN 10579
5	108004	CARPET STORAGE LID (BLACK CAR)	1	UP TO VIN 10578
	110484	CARPET STORAGE LID (GREY CAR)	1	UP TO VIN 10578
	109248	CARPET STORAGE LID	1	FROM VIN 10579
6	108070	CARPET PARKING BRAKE COVER	1	UP TO VIN 10578
	110478	CARPET PARKING BRAKE COVER (GREY CAR)	1	UP TO VIN 10578
	110352	CARPET PARKING BRAKE COVER	1	FROM VIN 10579
7	SP10687	PANEL BLITTON	2	
8	108069	CARPET DOOR SILL LH	1	UP TO VIN 10578
	110473	CARPET DOOR SILL LH (GREY CAR)	1	UP TO VIN 10578
	110337	CARPET DOOR SILL LH	1	FROM VIN 10579
9	108077	CARPET. FLOOR LH (BLACK CAR)	1	UP TO VIN 105
	110465	CARPET FLOOR LH (GREY CAR)	1	UP TO VIN 10578
	110341	CARPET FLOOR LH	1	FROM VIN 10579
10	101917	CARPET LUGGAGE COMPT		
11	108076	CARPET FLOOR RH (BLACK CAR)	1	UP TO VIN 105
	110464	CARPET FLOOR RH (GREY CAR)	1	UP TO VIN 10578
	110340	CARPET FLOOR RH	1	FROM VIN 10579

FRAME/BODY
CARPETS

SECTION
8 / 7 / 2
SUBSECTION
GROUP



8

SECTION

SUBSECTION

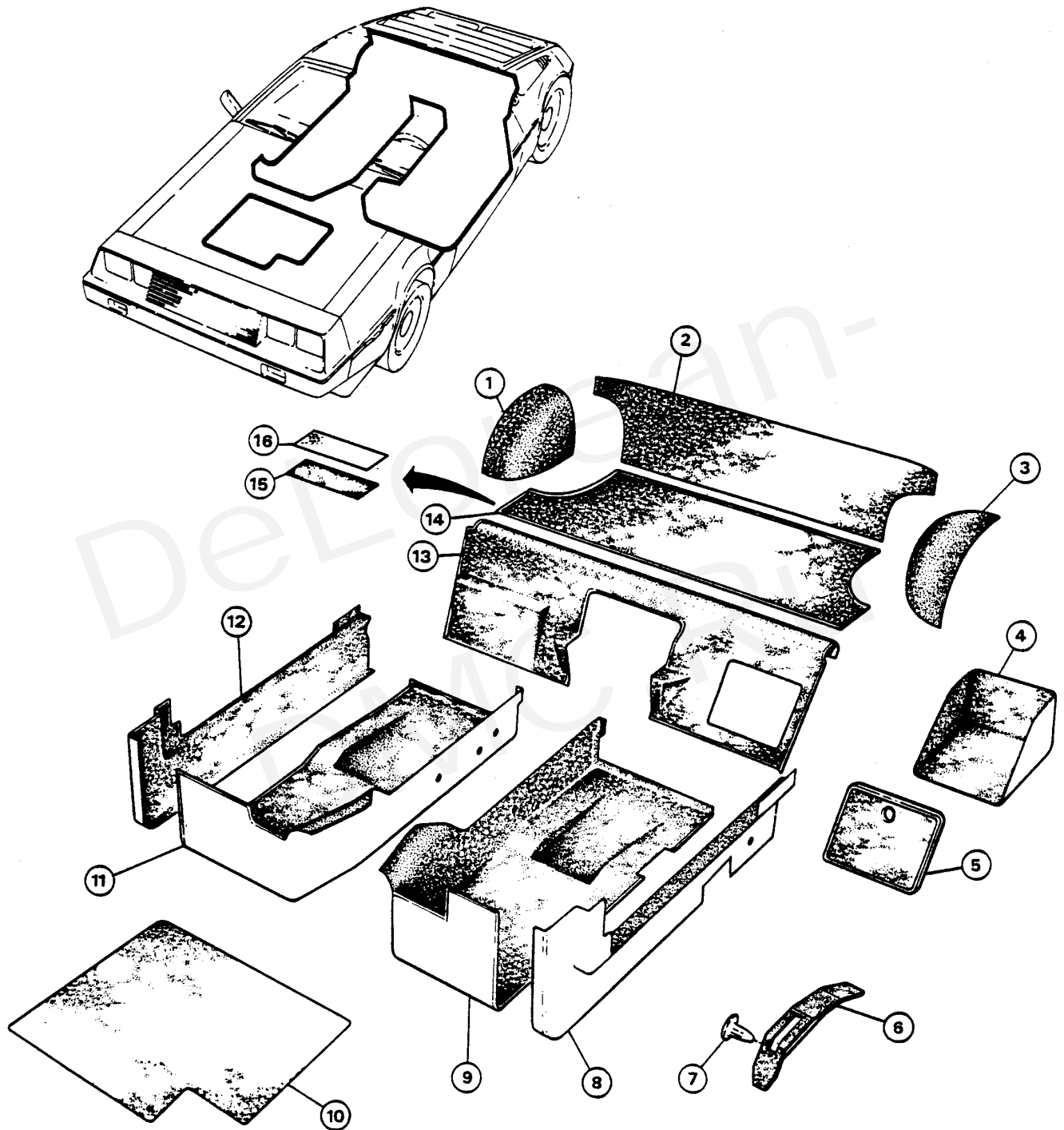
7 / **2** GROUP

FRAME/BODY

CARPETS

FIG.	PART NUMBER	DESCRIPTION	QTY	REMARKS
12	108068	CARPET DOOR SILL RH (BLACK CAR)	1	UP TO VIN 10578
	110473	CARPET DOOR SILL RH (GREY CAR)	1	UP TO VIN 10578
	110337	CARPET DOOR SILL RH	1	FROM VIN 10579
13	108075	CARPET,. DECK BOARD (BLACK CAR)	1	UP TO VIN 10578
	110480	CARPET, DECK BOARD (GREY CAR)	1	UP TO VIN 10578
14	110355	CARPET, DECK BOARD	1	FROM VIN 10579
	108067	CARPET,. SHELF (BLACK CAR)	1	UP TO VIN 10578
	110482	CARPET, SHELF (GREY CAR)	1	UP TO VIN 10578
15	110357	CARPET SHELF	1	FROM VIN 10579
16	106289	STRIP VELCRO, HOOK	1	
	106290	STRIP VELCRO, LOOP	1	

8-7-2-1-8-82



8

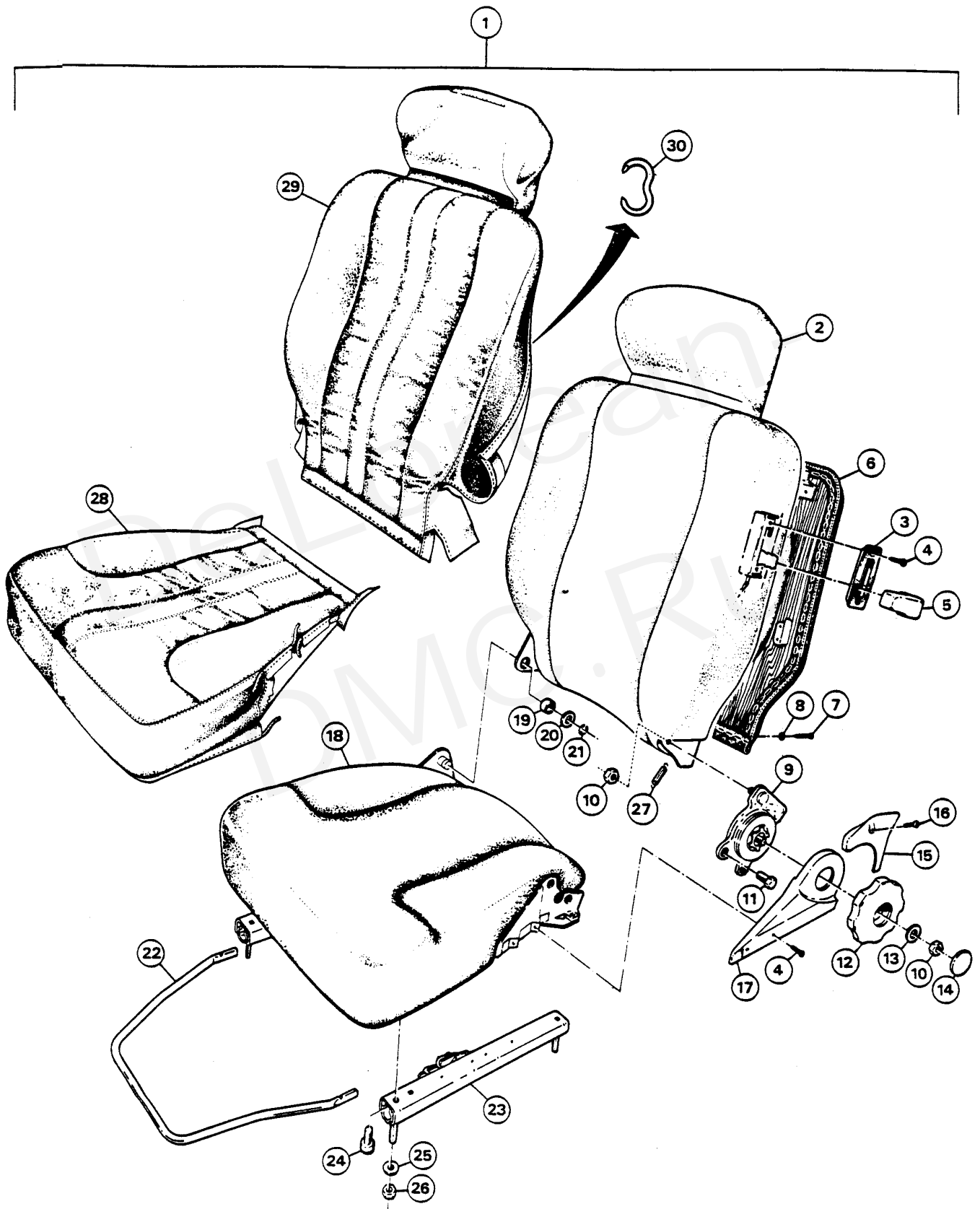
SECTION

SUBSECTION

7 3 GROUP

FRAME/BODY
SEATS

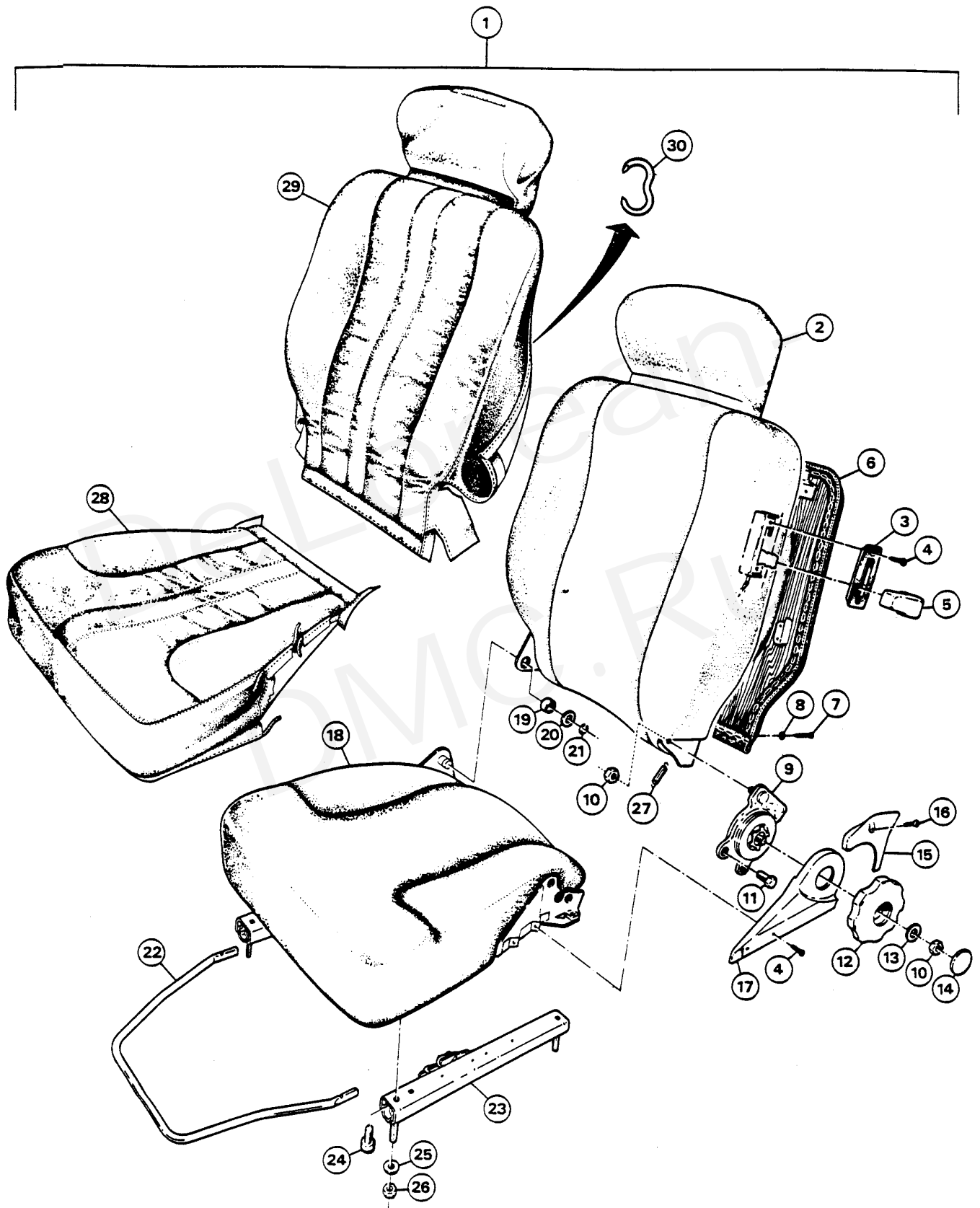
FIG.	PART NUMBER	DESCRIPTION	QTY	REMARKS
1	100600	SEAT ASSY RH (BLACK CAR)	1	GREY CAR 110516
	100601	SEAT ASSY LH (BLACK CAR)	1	GREY CAR 110517
2	10t624	. SQUAB ASSY RH (BLACK CAR)	1	GREY CAR 111266
	101625	. SQUAB ASSY LH (BLACK CAR)	1	GREY CAR 111267
3	101539	..TILT LEVEL TRIM	2	
4	SP10192	..M2.5 SCREW	4	
5	101540	..TILT LEVEL KNOB RH	1	
	101541	..TILT LEVEL KNOB LH	1	
6	105271	..TRIM PANEL (BLACK CAR)	2	GREY CAR 109255
7	SP1017	..N6 C/SUNK SCREW	4	
8	SP10174	..SCREW CUP	4	
9	105170	..TILT MECHANISM RH	1	
	105171	..TILT MECHANISM LH	1	
10	SP10145	..M8 LOCKNUT	4	
11	SP10103	. M8 SCREW	4	
12	100829	. KNOB	2	
13	SP10765	. M8 WASHER	2	
14	101215	. KNOB INSERT	2	
15	105738	. UPPER SHIELD RH	1	
	105739	. UPPER SHIELD LH	1	
16	SP10796	. M3 SCREW	2	
17	10Q955	. LOWER SHIELD LH	1	
	100956	. LOWER SHIELD RH	1	
18	101622	. CUSHION RH (BLACK CAR)	1	GREY CAR 111258
	101623	. CUSHION LH (BLACK CAR)	1	GREY CAR 111259
19	105539	. PIVOT BEARING	2	
20	SP10062	. M14 WASHER	2	
21	SP10338	. CIRCLIP	2	
22	100622	. SLIDE RELEASE BAR	2	
23	105254	. SLIDE RH	2	
	105255	. SLIDE LH	2	
24	SP10085S	. M8 CAP SCREW	8	
25	SP10730	M8 LARGE WASHER	8	
26	SP10025	M8 NYLOC NUT	8	
27	108925	TENSION SPRING	2	
28	100619	CUSHION COVER (BLACK CAR)	2	GREY CAR 109261
29	100618	SQUAB COVER (BLACK CAR)	2	GREY CAR 109260



8	SECTION	FRAME/BODY SEATS
	SUBSECTION	
	7 3 GROUP	

FIG.	PART NUMBER	DESCRIPTION	QTY	REMARKS
30	101526	HOG RING	A/R	
31	SP10765	M8 WASHER	16	NOT ILL
32	105238	BOBBIN 10MM MALE	8	NOT ILL
33	105239	BOBBIN 10MM FEMALE	8	NOT ILL

DeLorean-DMC.Ru



8

SECTION

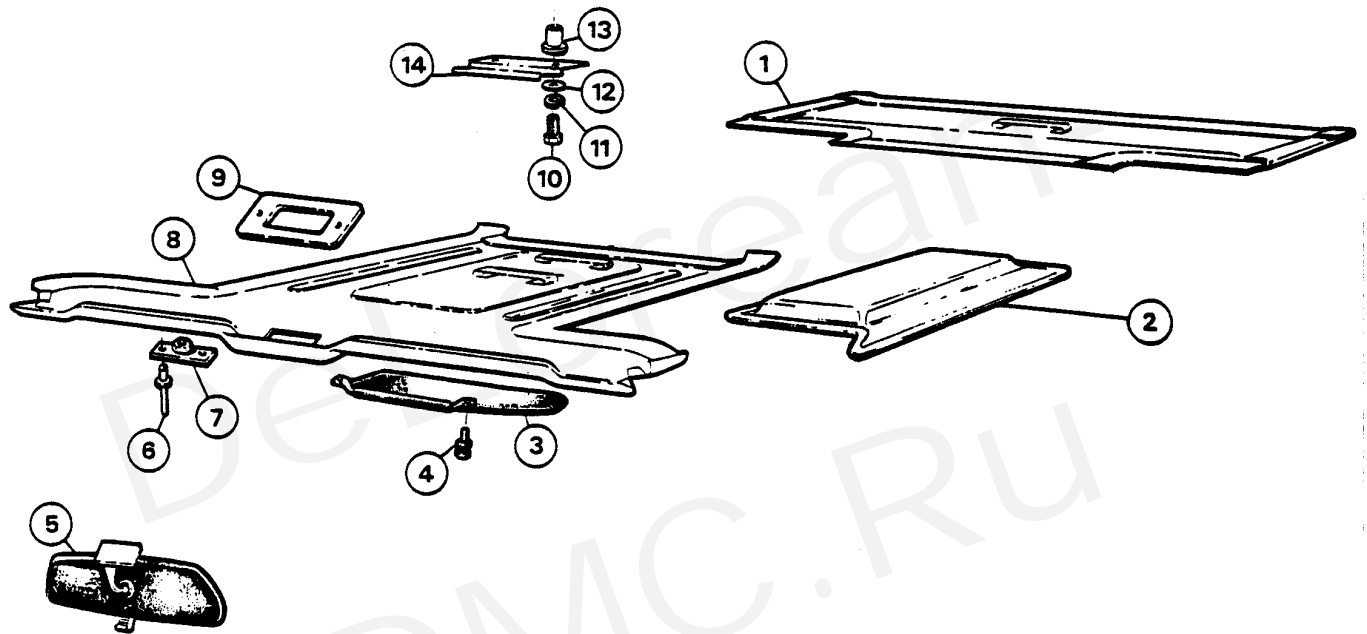
SUBSECTION

7 / **4** GROUP

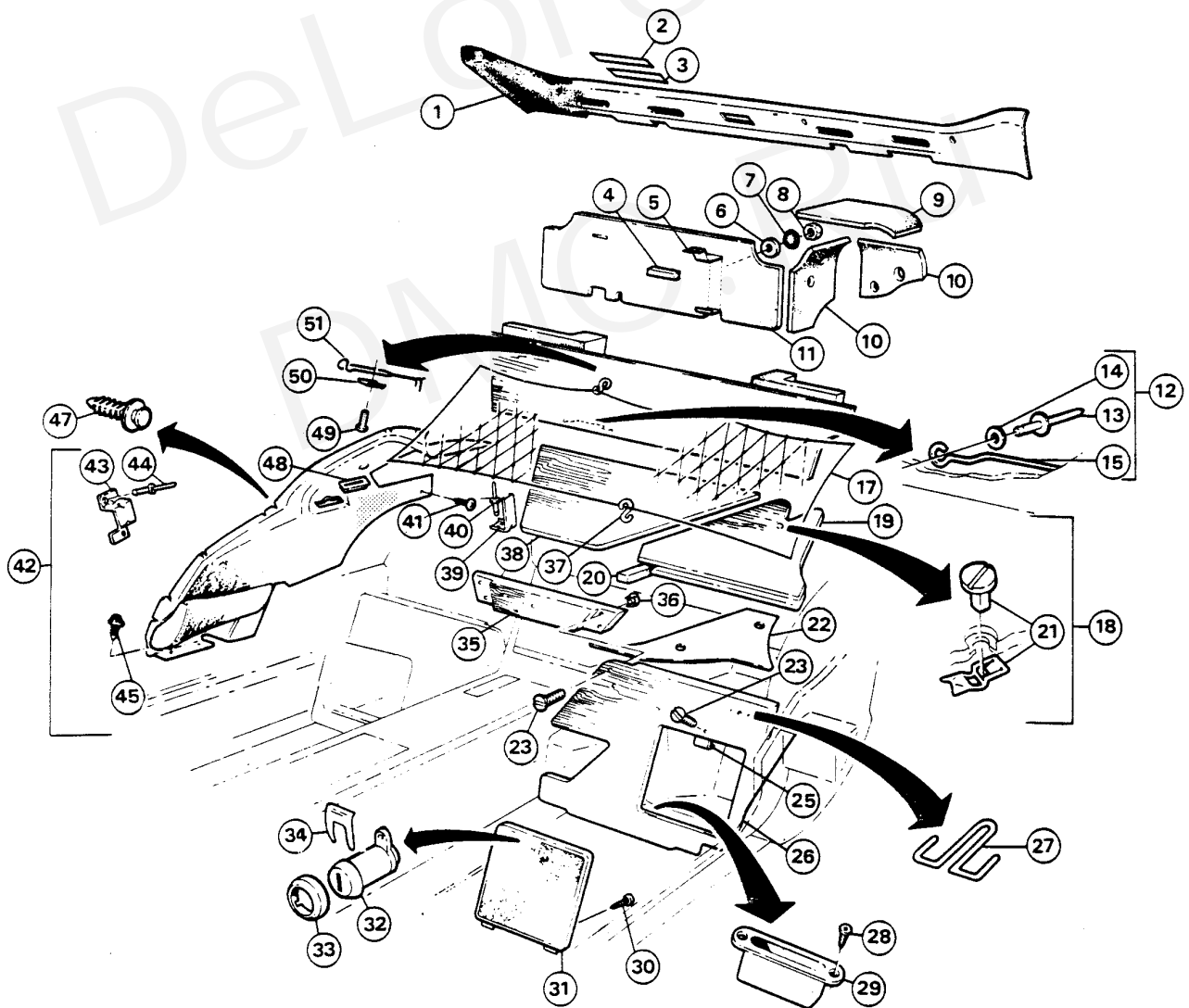
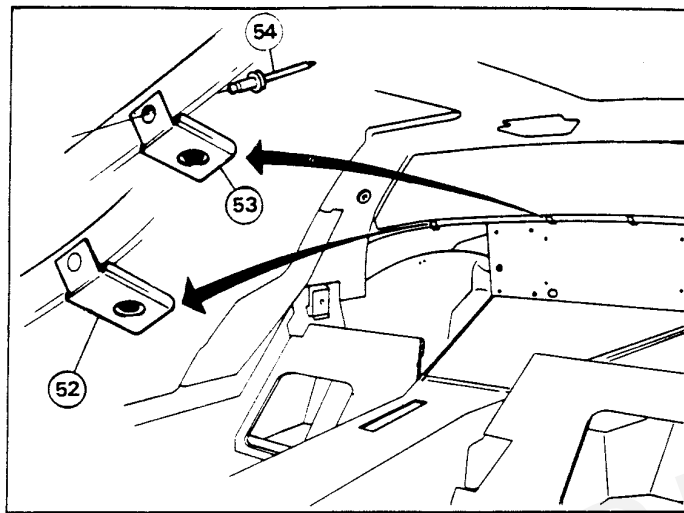
FRAME/BODY

ROOF TRIM

FIG.	PART NUMBER	DESCRIPTION	QTY	REMARKS
1	105192	REAR HEADLINING	1	UP TO VIN 1791
	110060	REAR HEADLINING	1	FROM VIN 1792
2	105753	DOOR HEADLINING LH	1	UP TO VIN 1791
	110063	DOOR HEADLINING LH	1	FROM VIN 1792
	105754	DOOR HEADLINING RH	1	UP TO VIN 1791
	110062	DOOR HEADLINING RH	1	FROM VIN 1792
3	100696	SUNVISOR RH	1	UP TO VIN 1791
	110216	SUNVISOR RH	1	FROM VIN 1792
	100697	SUNVISOR LH	1	UP TO VIN 1791
	110217	SUNVISOR LH	1	FROM VIN 1792
4	SP10454	SEMS SCREW M5	4	
5	101976	INTERIOR MIRROR	1	
6	SP10276	POP RIVET	8	
7	105280	SUNVISOR RETAINER	4	
8	105191	FRONT HEADLINING	1	UP TO VIN 1791
	110059	FRONT HEADLINING	1	FROM VIN 1792
9	108746	ADAPTOR,. CTSY LAMP	1	
10	SP10015	SCREW M6	6	
11	SP10252	SPRING WASHER M6	6	
12	SP10031	WASHER M6	6	
13	SP10614	RIVNUT M6	6	
14	105044	RETAINING BRACKET	3	



SECTION		FRAME/BODY		
SUBSECTION		GENERAL INTERIOR TRIM		
8	7	5	GROUP	
FIG.	PART NUMBER	DESCRIPTION	QTY	REMARKS
1	106201	TRIM BOARD TOP (BLACK CAR)	1	FOR GREY CAR 110486
2	106289	. STRIP VELCRO HOOK	1	SEE ALSO 3-7-2
3	106290	. STRIP VELCRO LOOP	1	SEE ALSO 8-7-2
4	108233	PAD, ACCOUST1C SUPT	2	
5	105986	SUPT BRKT BOARD RR	2	
6	SP10647	WASHER, LARGE M6	1	
7	SP10042	WASHER, SEPARATED	1	
3	SP10030	NUT M6	1	
9	106953	PONTOON ROOF INSL LH	1	
	106954	PONTOON ROOF INSL RH	1	
10	100653	PONTOON WALL INSL LH	1	
	106862	PONTOON WALL INSL RH	1	
11	106861	REAR WALL INSL PAD	1	
12	108204	VERTICAL TRIMBOARD (BLACK CAR)	1	UP TO VIN 10578
	110852	VERTICAL TRIMBOARD (GREY CAR)	1	UP TO VIN 10578
	110357	VERTICAL TRIMBOARD	1	FROM VIN 10579
13	SP10805	. POP RIVET	4	
14	SP10253	. POP RIVET WASHER	4	
15	106803	. REAR BOARD HOOK	2	
17	101454	LUGGAGE NET ASSY	1	
13	106913	RR DECKBOARD ASSY LH	1	
	106914	RR DECKBOARD ASSY RH	1	
19	106176	. REAR DECKBOARD RH	1	
	106177	. REAR DECKBOARD LH	1	
20	108308	. PAD	2	
21	SP110522	. DZUS FASTENER	1	
22	108040	INTR SHELF TRIMPAD	2	
23	SP10714	COUNTERSUNK SCREW M4	5	
25	108540	STRIKER PLATE	1	
26	106193	REAR BLKH ASSY UH		
27	108053	LUG NET PANEL HOOK	5	
28	SPI10138	COUNTERSUNK SCREW N4	4	
29	106816	PEG LOCATING MLDG	2	
30	SP10431	SCREW N6	4	
31	108004	CUBBYBOX LID (BLACK CAR)	1	UP TO VIN 10678 SEE 8-7-2
	110484	CUBBYBOX LID (GREY CAR)	1	UP TO VIN 10578 SEE 8-7-2
	111218	CUBBYBOX LID	1	FROM VIN 10579 SEE 8-7-2
32	101440	LOCK	1	
33	106815	BEZEL	1	



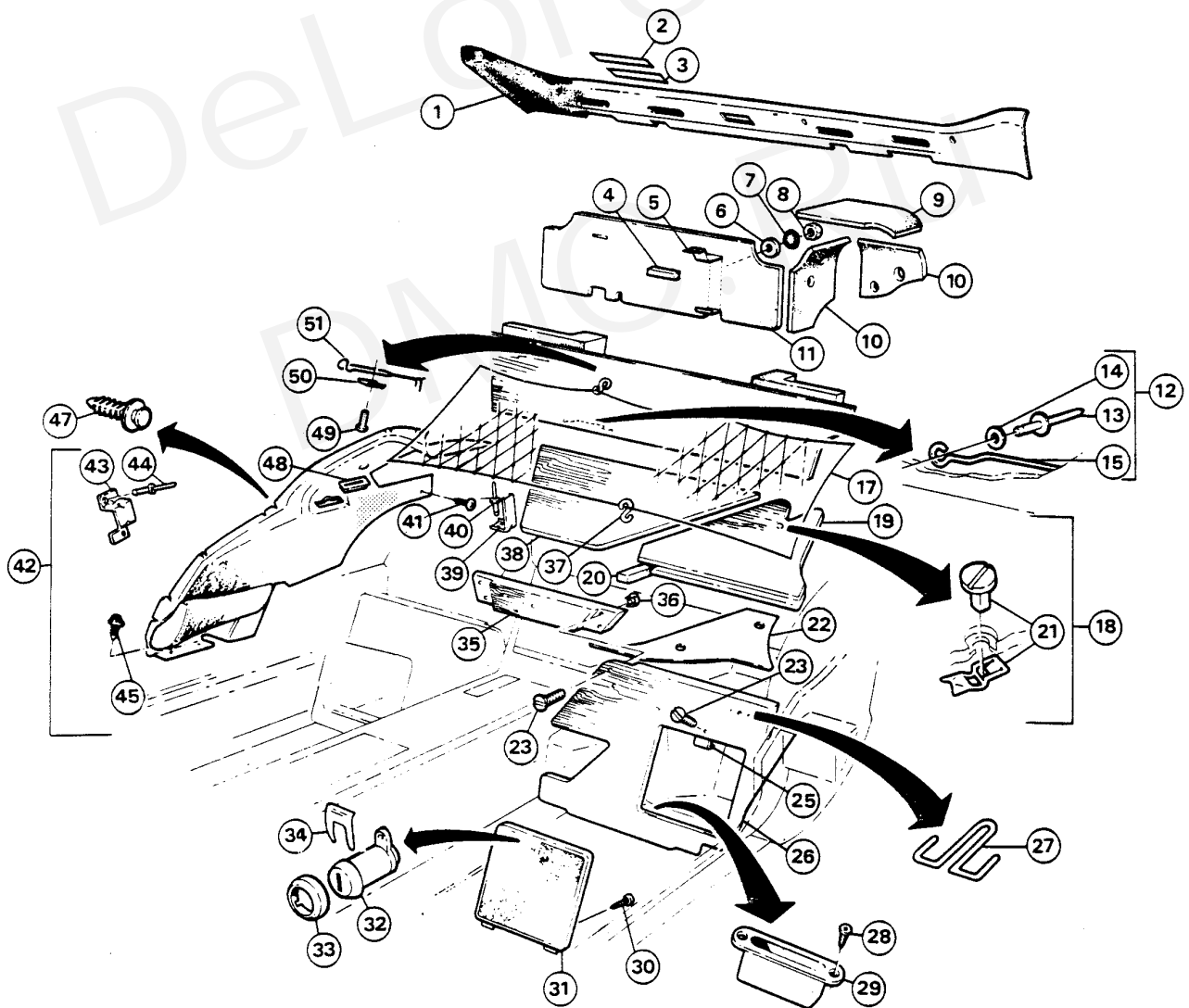
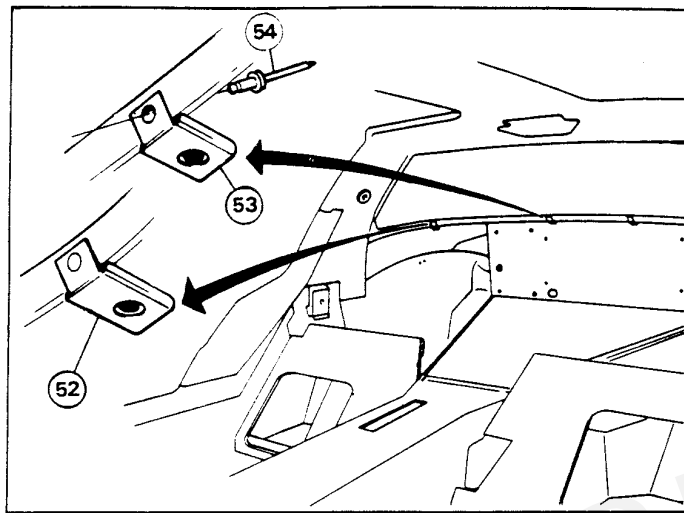
8

SECTION

SUBSECTION

7 **5** GROUPFRAME/BODY
GENERAL INTERIOR TRIM

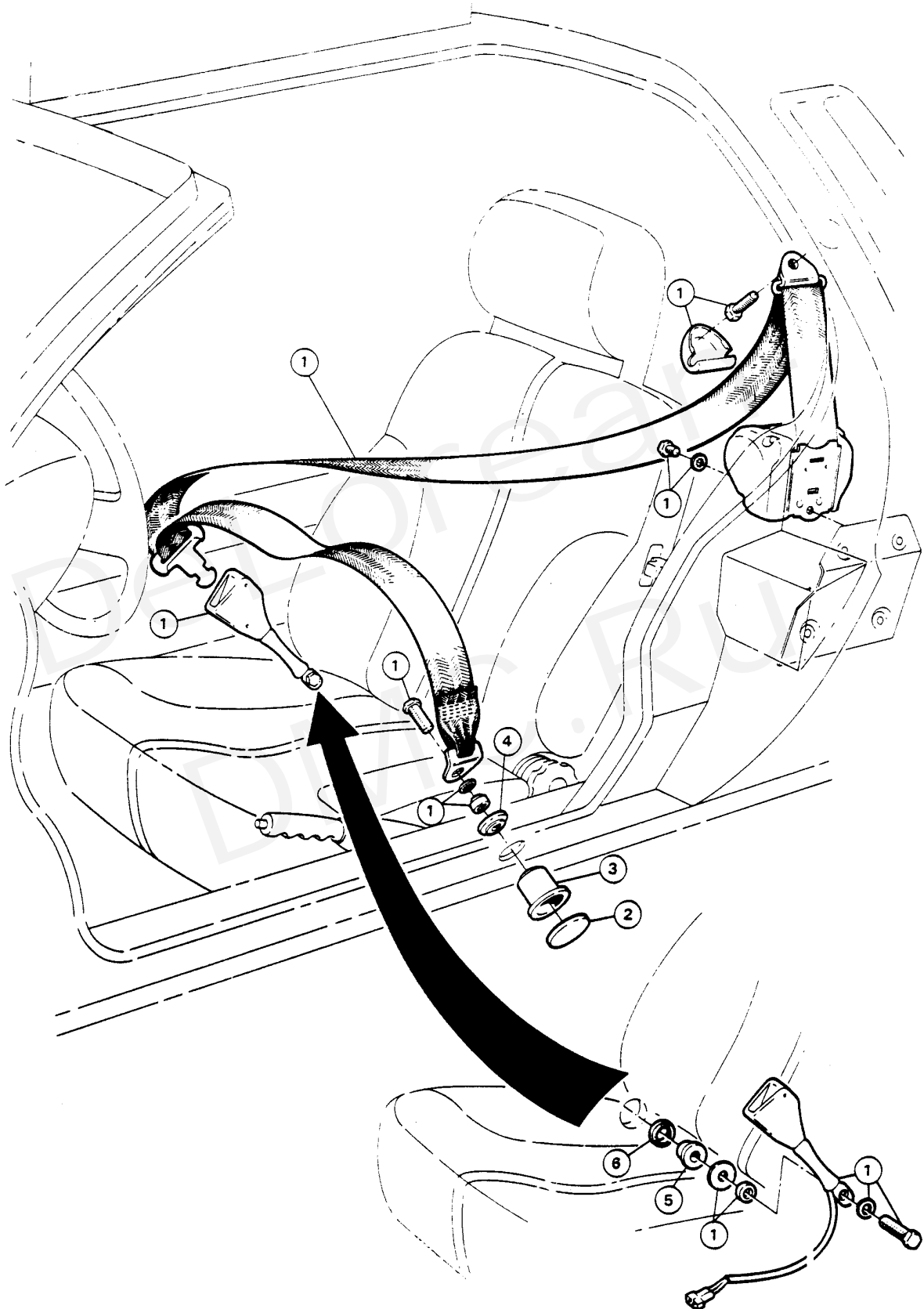
FIG.	PART NUMBER	DESCRIPTION	QTY	REMARKS
34	SP10817	RETAINING CLIP	1	
35	108606	RR BLKH CENTRE BOARD	1	
36	SP10850	. TEE NUT M4	4	
37	108481	HOOK	5	PART OF ITEM 17
38	101351	RR TNL INSL PAD		
39	106690	REAR QTR TRIM BRKT	2	
40	SP10681	POP RIVET	4	
41	SP10135	SCREW N8	2	
42	110171	TRIM PNL & ARMREST LH (BLACK CAR)	1	UP TO VIN 6092
	110677	TRIM PNL & ARMREST RH (BLACK CAR)	1	FROM VIN 6093
	110170	TRIM PNL & ARMREST RH (BLACK CAR)	1	UP TO VIN 6092
	110676	TRIM PNL & ARMREST RH (BLACK CAR)	1	FROM VIN 6093
	110429	TRIM PNL & ARMREST LH (GREY CAR)	1	UP TO VIN 6092
	110251	TRIM PNL & ARMREST LH (GREY CAR)	1	FROM VIN 6093
	110428	TRIM PNL ARMREST RH (GREY CAR)	1	UP TO VIN 6092
	110252	TRIM PNL & ARMREST RH (GREY CAR)	1	FROM VIN 6093
43	106692	RR QTR TRIM BRKT	2	
44	SP10682	POP RIVET	4	
45	SP10448	SCREW N8	6	
47	SP10671	PANEL FASTENER	6	
48	106615	SEAT BELT BEZEL	2	
49	SP10697	SCREW M6	4	
50	106856	CLIP WASHER	4	
51	106854	LUG NET INNER CLIP	2	
	106855	LUG NET OUTER CLIP	2	
52	106857	LUG NET OUTER BRKT	2	
53	106858	LUG NET INNER BRKT	2	
54	SP10079	POP RIVET	4	



8	SECTION	FRAME/BODY SEAT BELTS
	SUBSECTION	
	7 / 6 GROUP	

FIG.	PART NUMBER	DESCRIPTION	QTY	REMARKS
1	100701	SEAT BELT KIT LH		
	100702	SEAT BELT KIT RH		
2	106915	SEAL CAP	4	PART OF BODY SHELL 8-2-0
3	101872	MT CUP ST BELT FIXING	4	PART OF BODY SHELL 8-2-0
4	101873	MOUNTING CUP WASHER	4	PART OF BODY SHELL 8-2-0
5	106005	SPACER	2	
6	108127	RUBBER SEAL RING	2	

DeLorean-DMC.Ru



Accessories

9	SECTION		ACCESSORIES TOOL KIT
	SUBSECTION		
	1	0 GROUP	

FIG.	PART NUMBER	DESCRIPTION	QTY	REMARKS
1	110036	JACK	1	
2	110038	WRENCH, WHEEL NUT	1	
3	110033	JACK BAG	1	
4	110037	HANDLE JACK	1	
5	1 10039	SLEEVE JACK HANDLE	1	
6	108607	RATCHET, JACK TYPE 1	1	
7	106164	JACK TYPE I	1	

DeLorean-DMC.Ru

