

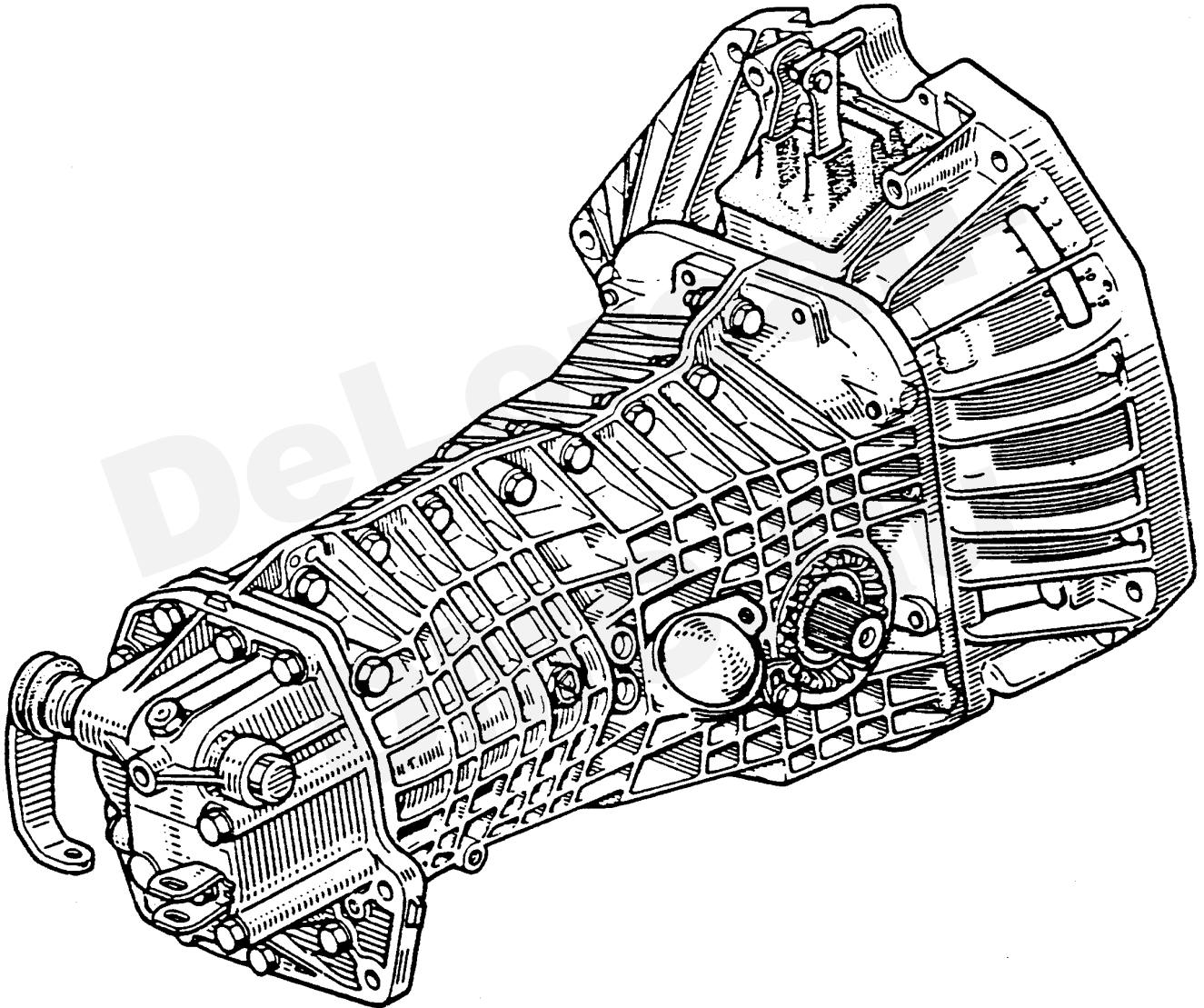
# Transmission

---

<b>4</b>	SECTION	MANUAL TRANSMISSION ASSY
	SUBSECTION	
	<b>1</b> / <b>0</b> GROUP	

FIG.	PART NUMBER	DESCRIPTION	QTY	REMARKS
	100104	MAN GEARBOX ASSY	1	COMPRISES ITEMS FROM SECTIONS 4:1:1, 4:1:2, 4:1:3, 4:1:4, 4:3:0, EXCEPT THOSE MARKED *

DeLorean-DMC.Ru

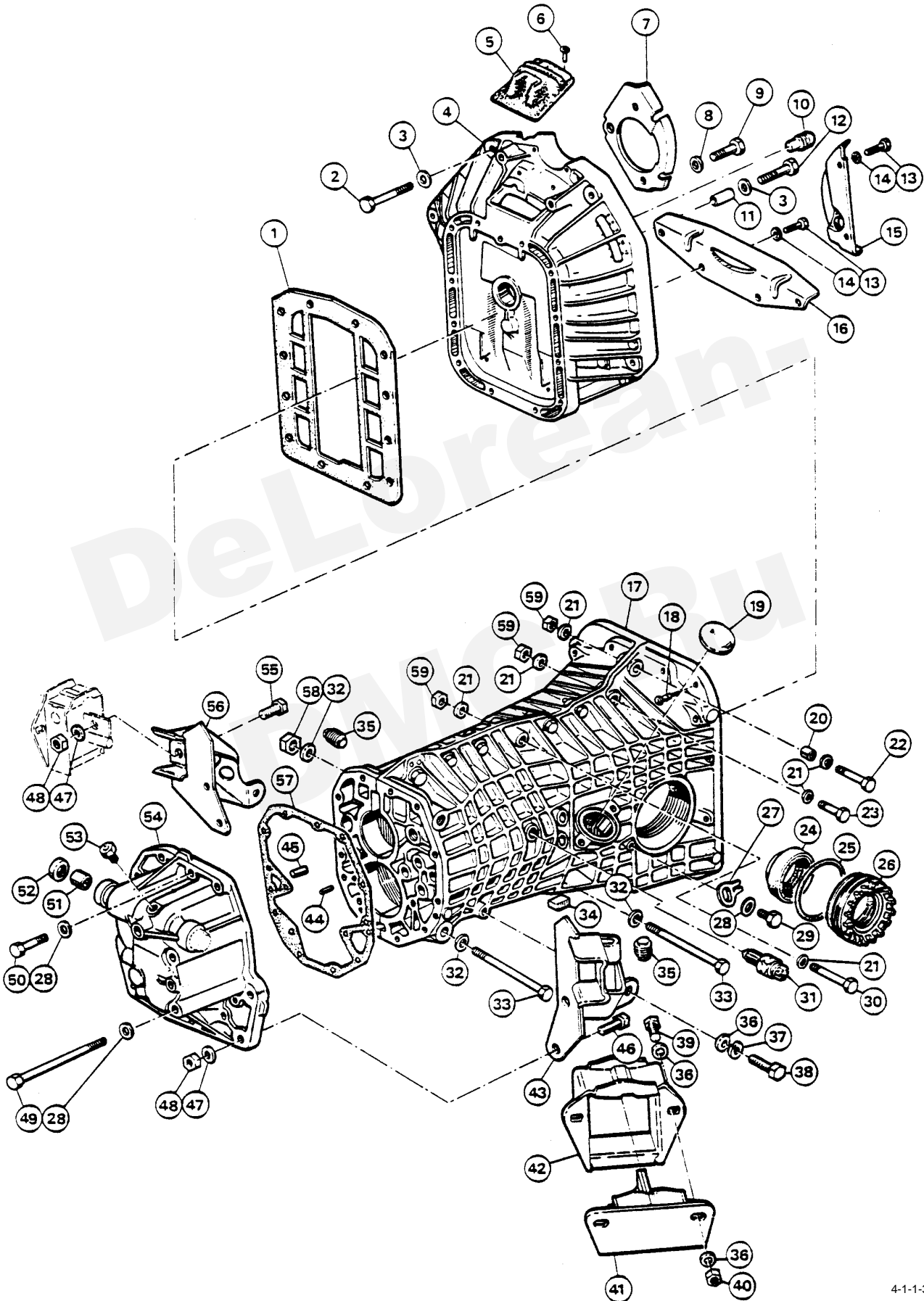


4	SECTION		MANUAL TRANSMISSION GEARBOX CASING	
	1	SUBSECTION		
		1 GROUP		
FIG.	PART NUMBER	DESCRIPTION	QTY	REMARKS
1	103001	GASKET	1	
2	101078	SCREW M10	4	AUTOMATIC ALSO
3	103025	WASHER M10	8	
4	103022	CLUTCH CASE ASSEMBLY	1	PART A INCLUDED
5	103151	STOPPER	1	
6	103148U	RIVET	2	
7	101074	PROTECTING PLATE	1	AUTOMATIC ALSO
8	101079	WASHER SPRING M10	8	
9	103149	SCREW M10	8	
10	103147	FORK CLU RELEASE PIV	1	KIT A
11	103542	LOCATING RING	2	
12	103024	SCREW M10	4	
13	101084	SCREW M7	6	AUTOMATIC ALSO INCL PICK UP SUP.
14	101076	WASHER LOCKING	6	AUTOMATIC ALSO 101067 SCREW
15	101075	PROTECTING PLATE	1	AUTOMATIC ALSO SP10453 & NUT
16	101073	FLYWHL PROTR PLATE	1	AUTOMATIC ALSO SP10166 SEE (3.41)
17	103002	GEARBOX CASING	1	369-08
18	103047	BREATHER	1	
19	104215	BLANKING PLATE	1	
20	101051	LOCATING RING	2	
21	103007	WASHER M8	32	
22	103006	SCREW M8	2	
23	103011	SCREW M8	13	
24	104216	LIP SEAL	1	KIT B OR 103044
25	103013	'O' RING SEAL	1	KIT B
26	103802	DIFF ADJ SCREW ASSY	1	PARTS 'B' INCLUDED
27	103045	SCREW RETAINER	1	
28	101050	WASHER SPRING M8	12	
29	102475	SCREW M8	1	
30	103012	BOLT	1	
31	106332	REVERSE SWITCH	1	
32	101095	WASHER SPRING	6	
33	103008	SCREW M10	4	
34	103051	MAGNET RETAINER	1	
35	103016	PLUG	2	
36	SP10032 *	WASHER M8	10	
37	SP10035 *	WASHER SPRING M8	2	
38	SP10002 *	SCREW M8	2	
39	SP10009 *	SCREW M8	4	
40	SP10025 *	NUT NYLOC M8	4	
41	100901 *	RUB GEARBOX MT	2	
42	100902 *	GEARBOX RUB SUPT BRKT	2	
43	106341 *	MOUNTING BRACKET LH	1	
44	103003	ROLL PIN	2	
46	103004	ROLL PIN	1	
46	SP10004 *	SCREW M10	4	FROM VIN 600

\*NOT INCLUDED IN MANUAL GEARBOX (SEE 4-1-0)

MANUAL TRANSMISSION  
GEARBOX CASING

SECTION  
4  
SUBSECTION  
1  
GROUP  
1

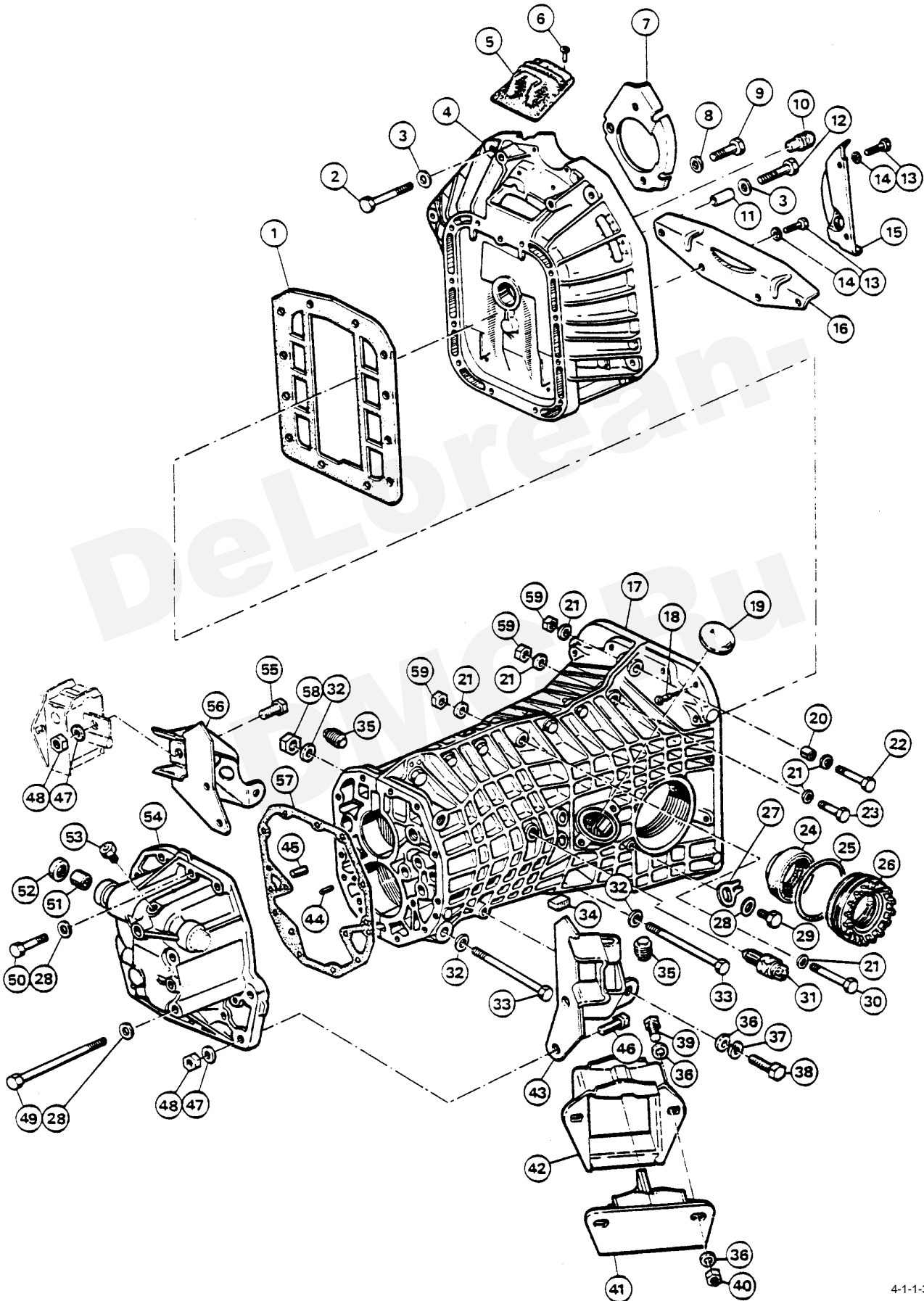


4		SECTION	MANUAL TRANSMISSION	
1		SUBSECTION	GEARBOX CASING	
1		GROUP		
FIG.	PART NUMBER	DESCRIPTION	QTY	REMARKS
47	SP10033 *	WASHER M10	6	FROM VIN 600
48	SP10020 *	NUT NYLOC M10	6	FROM VIN 600
49	103167	SCREW M8	2	369-08 MODEL
	109602	SCREW M8		369-03 MODEL
50	103011	SCREW M8	9	369-08 MODEL
	109602	SCREW M8	9	369-03 MODEL
51	103019	BUSH	2	
52	103049	LIP SEAL	1	
53	103060	PLUG		
5,	103048	REAR COVER AISSY	1	PARTS 'C' INCL & PLUG 103042 (4-1.4) INCLUDED
55	SP10018 *	SCREW M10	2	
56	100342	MOUNTING BRACKET RH	1	
57	103000	GASKET	1	
58	103010	NUT M10	2	
59	102437	NUT M8	16	
47	SP10033	WASHER M10	2	UP TO VIN 599
48	SP10026	NYLOC NUT M10	2	UP TO VIN 599
46	SP10002	M8 BOLT	4	UP TO VIN 599
47	SP10032	WASHER M8	4	UP TO VIN 599
48	SP10025	NYLOC NUT M8	4	UP TO VIN 599

\* NOT INCLUDED IN MANUAL GEARBOX (SEE 4-1-0)

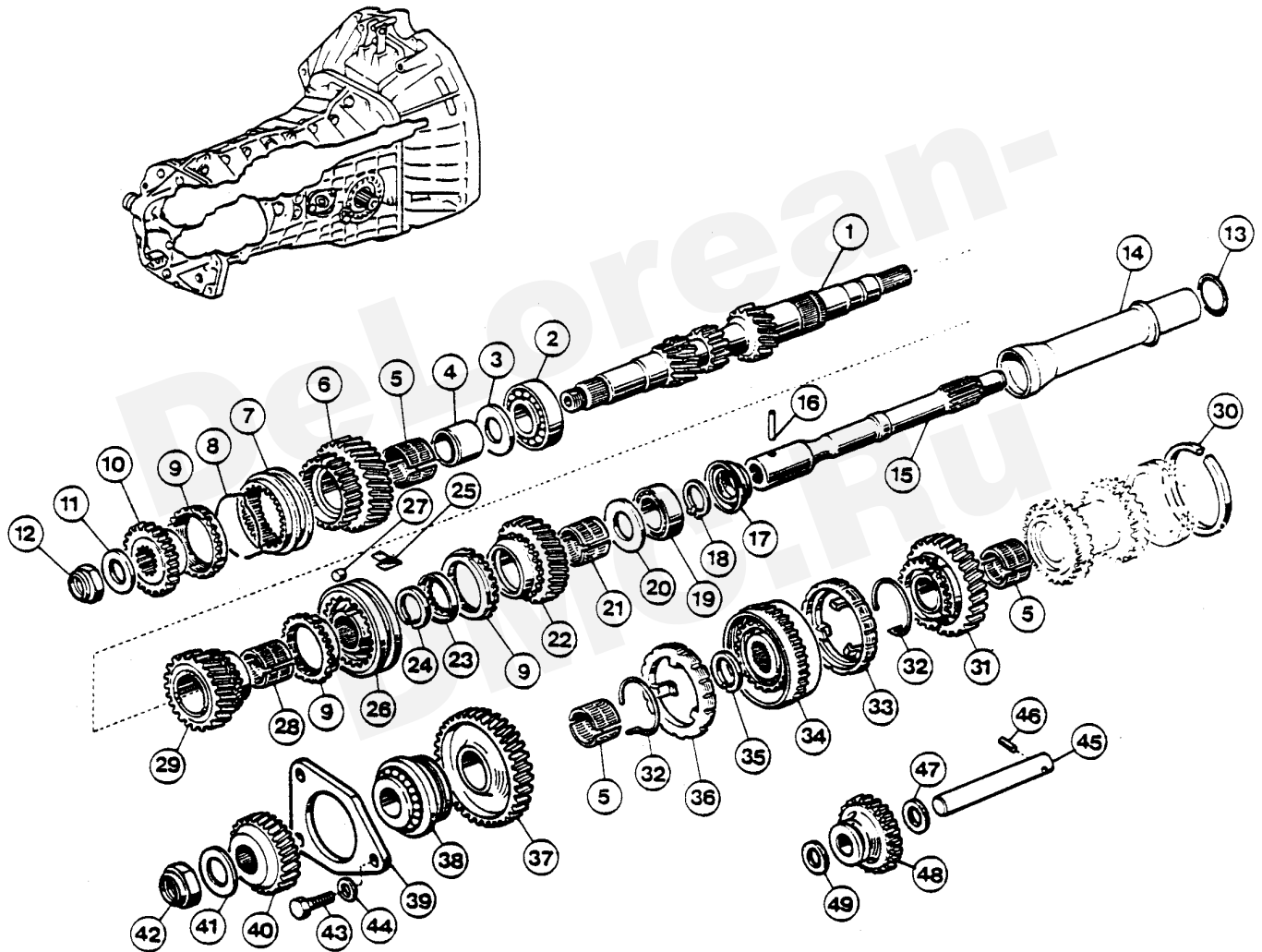
MANUAL TRANSMISSION  
GEARBOX CASING

SECTION  
4  
SUBSECTION  
1  
GROUP  
1



4	SECTION		MANUAL TRANSMISSION GEARS	
	1	SUBSECTION		
		2		
FIG.	PART NUMBER	DESCRIPTION	QTY	REMARKS
1	103056	SHAFT PRIMARY	1	
2	103031	BEARING	1	
3	103093	WASHER	1	
4	103094	RING-INNER	1	
5	101095	NEEDLE CAGE	3	
6	103096	DRIVE GEAR 5th SPEED	1	369-08
	109605	DRIVE GEAR 5th SPEED	1	369-03
7	103097	SLDG GEAR 5th HUB	1	369-08
	109600	SLDG GEAR 5th HUB	1	369-03
8	103098	SYNCHRONISING SPRING	1	
9	103059	LOCK RING SYN-MESH	3	
10	103099	DOG 5th GEAR	1	369-08
	109607	DOG 5th GEAR	1	369-03
11	103100	WASHER	1	
12	103101	LOCKNUT	1	
13	103103	'O' RING SEAL	1	
14	103102	GUIDE TUBE-WDR PAD	1	369-08
	109608	GUIDE TUBE-WDR PAD		369-08
15	103071	SHAFT CLUTCH	1	369-08
	109604	SHAFT CLUTCH		369-03
16	103092	ROLL PIN	1	
17	103177	LIPSEAL	1	
18	103178	STOP RING	1	
19	103068	ROLLER BRG-CYLINDER		
20	103067	WASHER BRG-THRUST	1	
21	103057	NEEDLE CAGE	1	
22	103068	DRIVE GEAR 4th SPEED	1	
23	103064	WASHER-SPLINED	1	
24	103063	CIRCLIP	1	
2S	103081	SYNCHRONISING SPRING	3	
25	103080	SLDG GEAR 3rd, 4th	1	
27	103062	ROLLER-SYN UNIT	3	
28	103065	NEEDLE CAGE	1	
29	103058	DRIVE GEAR 2nd SPEED	1	
30	103104	STOP RING	1	
31	103105	IDLER 2nd GEAR	1	
32	103108	SYNCHRONISING SPRING	2	
33	103107	SYN CONE-SECONDARY	1	
34	103108	SLDG GEAR 1st, 2nd	1	
35	103109	STOP RING	1	
38	103110	SYN CONE 1st	1	
37	103111	DRIVE GEAR 1st SPEED	1	
38	103188	ROLLER BRG CONICAL	1	369-08
	109809	ROLLER BRG-CONICAL	1	369-03
39	103113	SECURING STOP PLATE	1	169-08
	109610	SECURING STOP PLATE	1	160-03

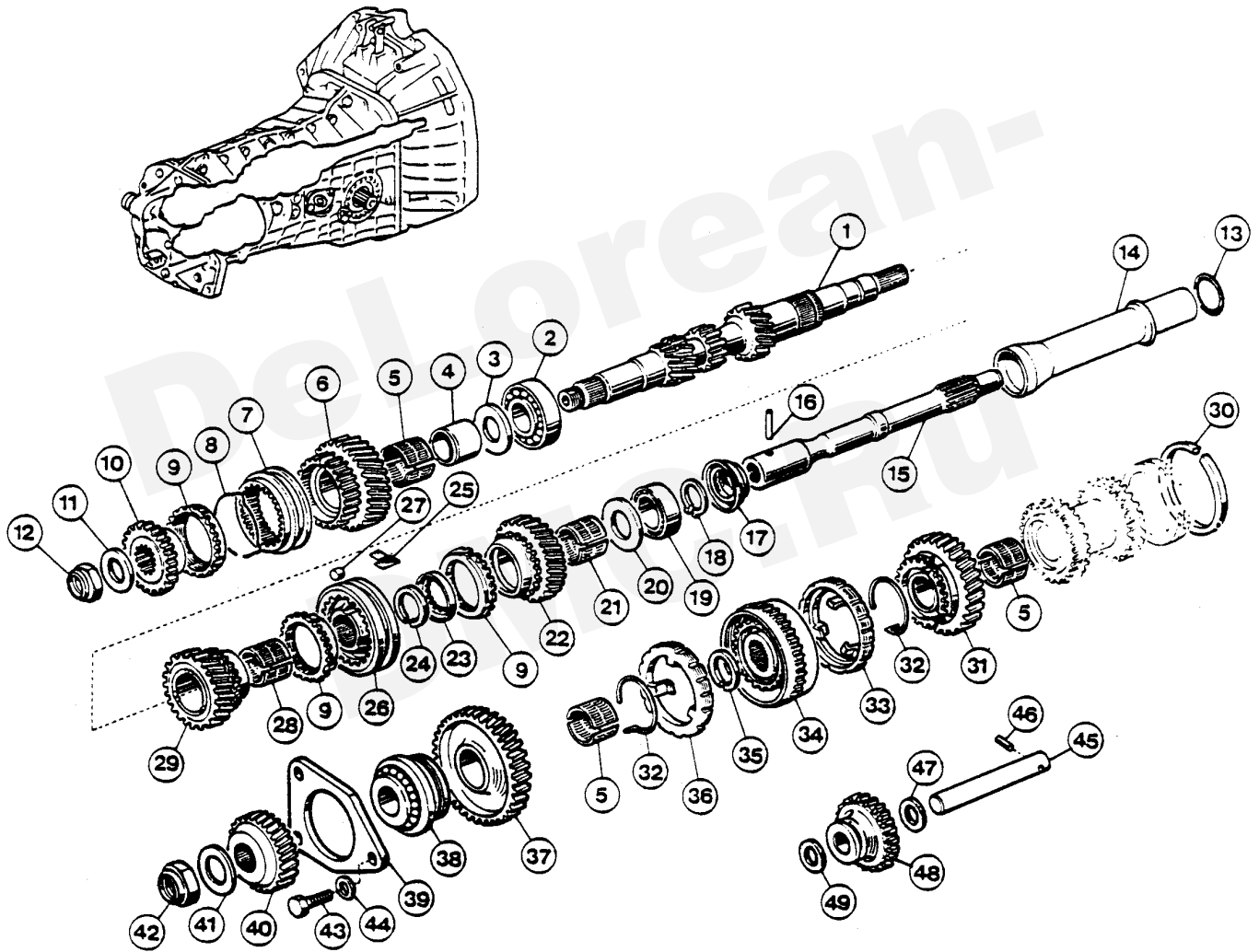




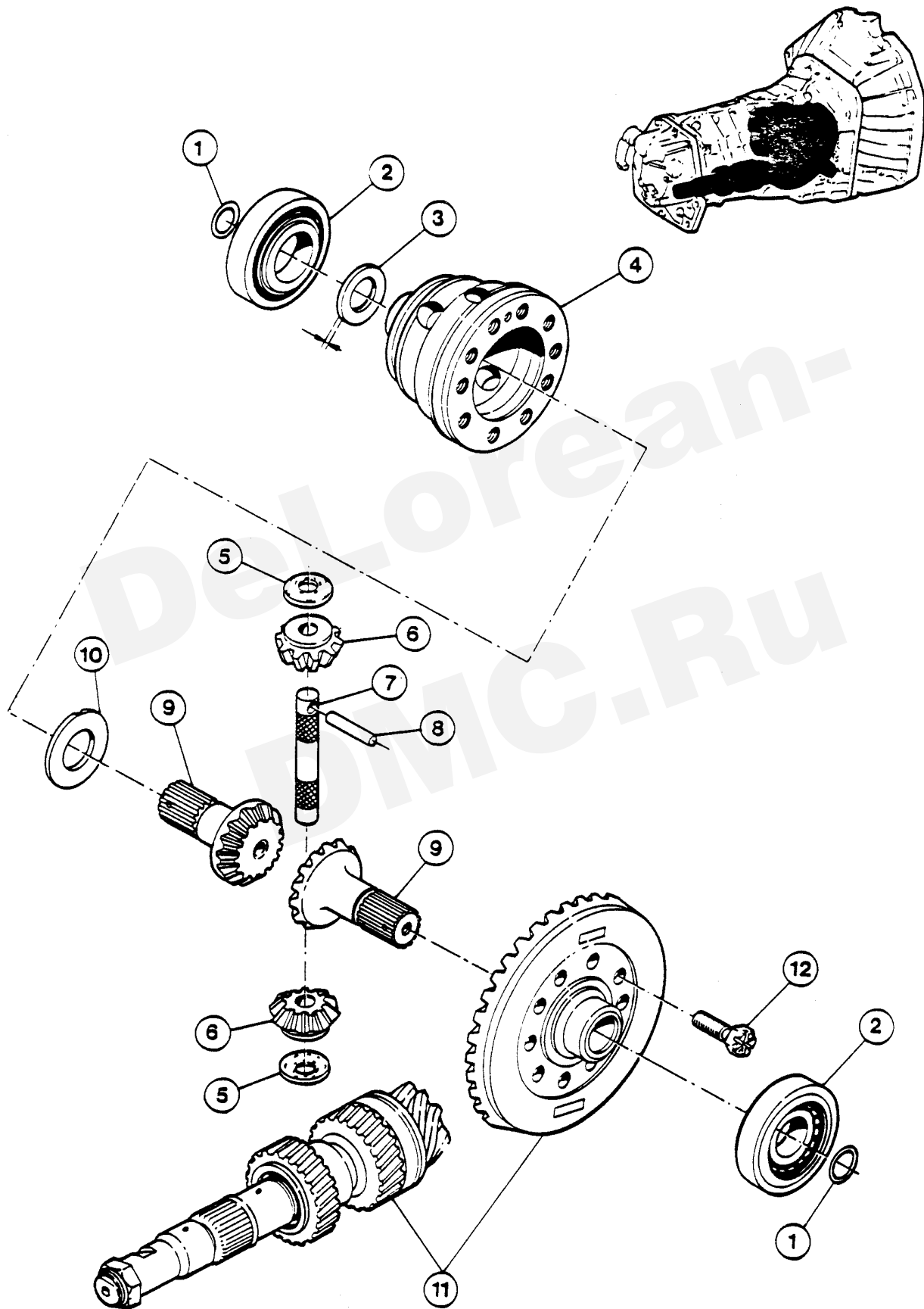
<b>4</b>	SECTION	MANUAL TRANSMISSION GEARS
	SUBSECTION	
	1 2 GROUP	

FIG.	PART NUMBER	DESCRIPTION	QTY	REMARKS
40	103074	FIXED GEAR 5th	1	369-08
	109611	FIXED GEAR 5th	1	
41	103075	WASHER-SPRING	1	
42	103076	NUT PRIMARY SHAFT	1	
43	103189	SCREW M10	4	
44	101095	WASHER-SPRING	4	
45	103078	REVERSE GEAR SPINDLE	1	
46	103077	PIN-CYLINDRICAL	1	
47	103079	WASHER	1	
48	103080	REVERSE GEAR	1	
49	103081	WASHER	1	

DeLorean-DMC.Ru



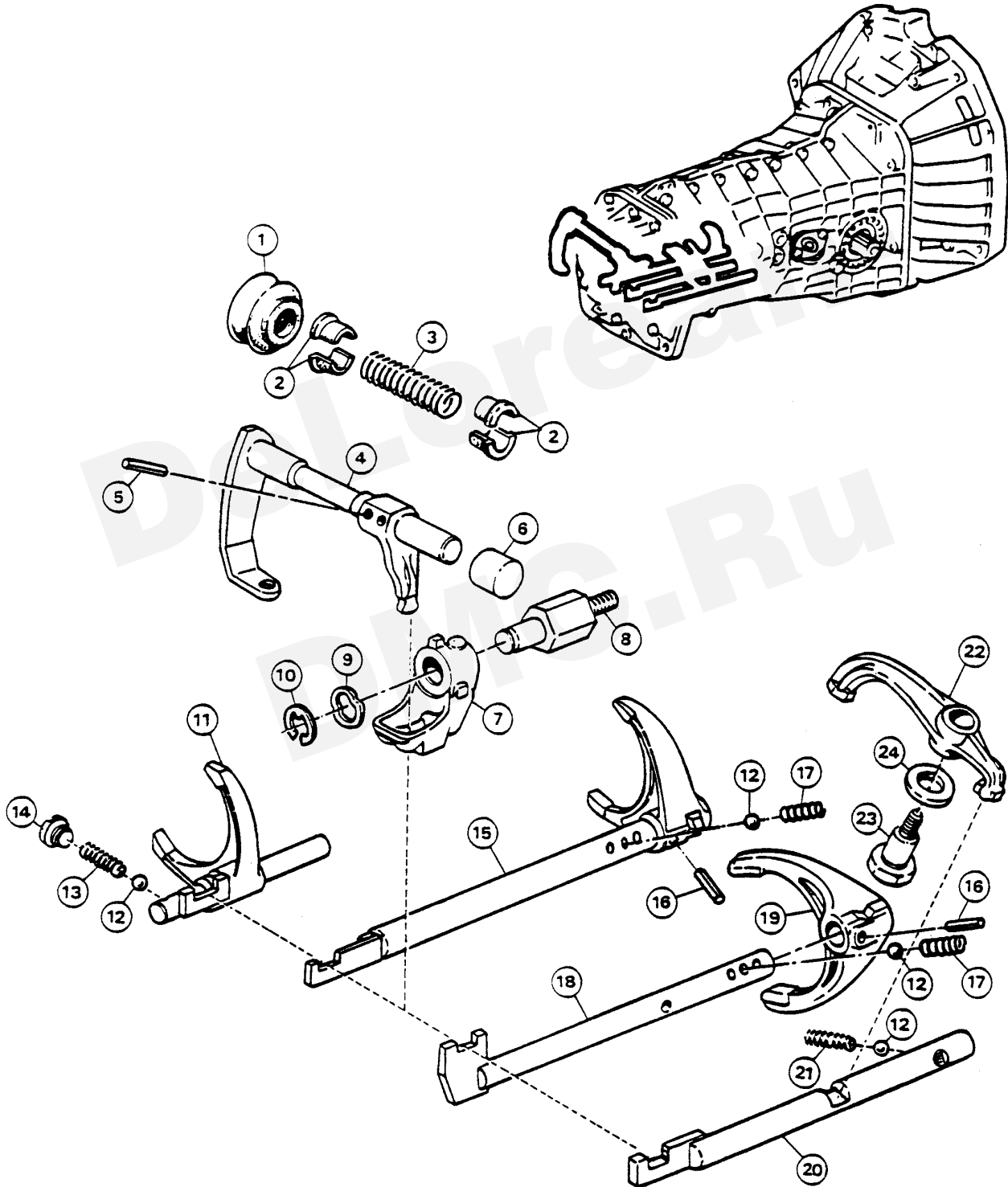
4		SECTION	MANUAL TRANSMISSION	
1		SUBSECTION	FINAL DRIVE	
3		GROUP		
FIG.	PART NUMBER	DESCRIPTION	QTY	REMARKS
1	103120	SEAL, O RING	2	
2	103119	BEARING CONICAL ROLLER	2	
3	103207	WASHER 12 mm THICK		
3	103208	WASHER 1.3 mm THICK		
3	103209	WASHER 1.4 mm THICK		
3	103210	WASHER 1.5 mm THICK	1	SELECT AS REQUIRED
3	103211	WASHER 1.6 mm THICK		
3	103212	WASHER 1.7 mm THICK		
4	103196	CASE, DIFFERENTIAL	1	
5	103203	WASHER, CONCAVE	2	
6	103202	GEAR, SPIDER	2	
7	103204	SPINDLE, SPIDER GEAR	1	
8	103114	PIN, RETAINING	1	
9	103199	GEAR, SIDE	2	
10	103201	WASHER, THRUST	1	
11	102756	CROWN WHEEL/PINION SET	1	
12	103205	. SCREW M12	10	



SECTION		TRANSMISSION		
SUBSECTION		SHIFT MECHANISM - INTERNAL		
4 1 4 GROUP				
FIG.	PART NUMBER	DESCRIPTION	QTY	REMARKS
1	103131	BELLOWS	1	
2	103132	HALF BUSHING	4	
3	103244	PRESSURE SPRING	1	
4	103130	CONTROL SHAFT ASSY	1	
5	103195	ROLL PIN	1	PART OF COVER ASSY (4-1-1)
6	103042	PLUG		
7	103127	TIPPER LOCK	1	FOR 369-08 (1981 MODEL)
	109612	TIPPER LOCK		FOR 369-08 (1980 MODEL)
8	103128	TIPPER LOCK PIN	1	
9	103037	SPRING WASHER	1	
10	103038	CIRCLIP	1	
11	103232	5th GEARSHIFT BAR	1	FOR 369-08 (1981 MODEL)
	109613	5th GEARSHIFT BAR		FOR 369-03 (1980 MOOEL)
5	103195	ROLL PIN	1	
12	103123	BALL OUT OF STANDARD	1	
13	103236	PRESSURE SPRING	1	
14	103040	PLUG M12 x 175	1	
15	103222	3rd/4th GEARSHIFT BAR	1	
16	103219	ROLL PIN	1	
12	103123	BALL OUT OF STANDARD	1	
17	103221	PRESSURE SPRING	1	
18	103215	1st/2nd GEARSHIFT BAR	1	
19	103214	1st/2nd SHIFT FORK	1	
16	103219	ROLL PIN	1	
12	103123	BALL OUT OF STANDARD	1	
17	103221	PRESSURE SPRING	1	
20	103121	REV GEARSHIFT BAR	1	
12	103123	BALL OUT OF STANDARD	1	
21	103122	PRESSURE SPRING	1	
22	103124	REV GEAR INVERTOR	1	
23	103230	HINGE PIN	1	
24	103229	SPRING WASHER	1	

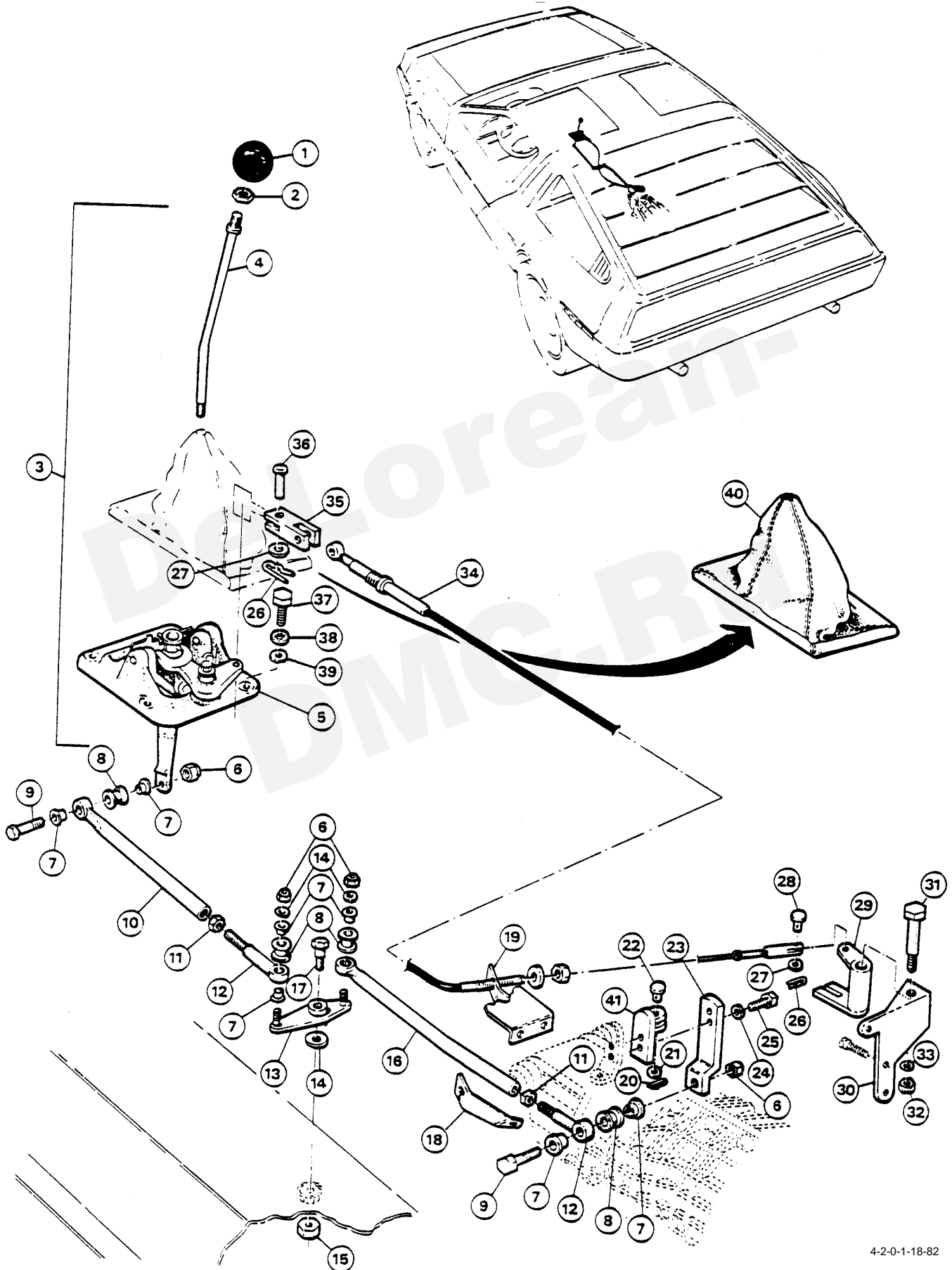
TRANSMISSION  
SHIFT MECHANISM - INTERNAL

SECTION  
4  
SUBSECTION  
1  
GROUP  
4



4	SECTION		TRANSMISSION MANUAL - SHIFT LINKAGE	
	2	SUBSECTION		
		0 GROUP		
FIG.	PART NUMBER	DESCRIPTION	QTY	REMARKS
1	101284	GEARKNOB	1	
2	106148	NUT	1	
3	105811	GEARCHANGE ASSEMBLY	1	
4		GEARLEVER	1	
5		SELECTOR ASSY	1	
6	SP10025	NYLOC NUT M8	4	
7	100776	BEARING	8	
8	100775	BUSH, RUBBER	4	
9	105844	PIVOT BOLT	2	
10	100270	FRONT GEARCHANGE TUBE	1	
11	SP10072	LOCKNUT M10	2	
12	100316	CRCHGE TU8E CONN EYE	2	
13	100549	RELAY LEVER	1	
14	SP10032	WASHER M8	3	
15		WELD NUT	1	
16	100269	REAR GRCHGE TUBE	1	
17	110183	PIVOT BOLT	1	
18	108597	STIFFENER	1	
19	106653	CROSSGATE MT BRACKET	1	
20	SP10818	PATTERN SPRING	1	
21	SP10111	WASHER M5	1	
22	106719	CLEVIS PIN	1	
23	108295	DROP ARM EXTENSION	1	
24	SP10035	SPRING WASHER M8	2	
25	SP10103	SCREW M8	2	
211	SP10124	RETAINING CLIP	1	
27	SP10111	WASHER M5	1	
28	SP10126	CLEVIS PIN	1	
29	10665S2	CROSSGATE LEVER	1	
30	100273	CROSSGATE MT BRACKET	1	
31	100280	PIVOT BOLT	1	
32	SP10187	BINX NUT M8	1	FROM VIN 800
33		WASHER	1	
34	101363	CROSSGATE CABLE	1	
35	100314	CLEVIS	1	
31	SP10375	CLEVIS PIN	2	
37	SP10015	SCREW MII	4	
38	SP10252	SPRING WASHER M6	4	
39	SP10031	WASHER M6	4	
40	100688	GEAR LEVER GAITER	1	
41	155783	CLEVIS MT CROSSGATE	1	





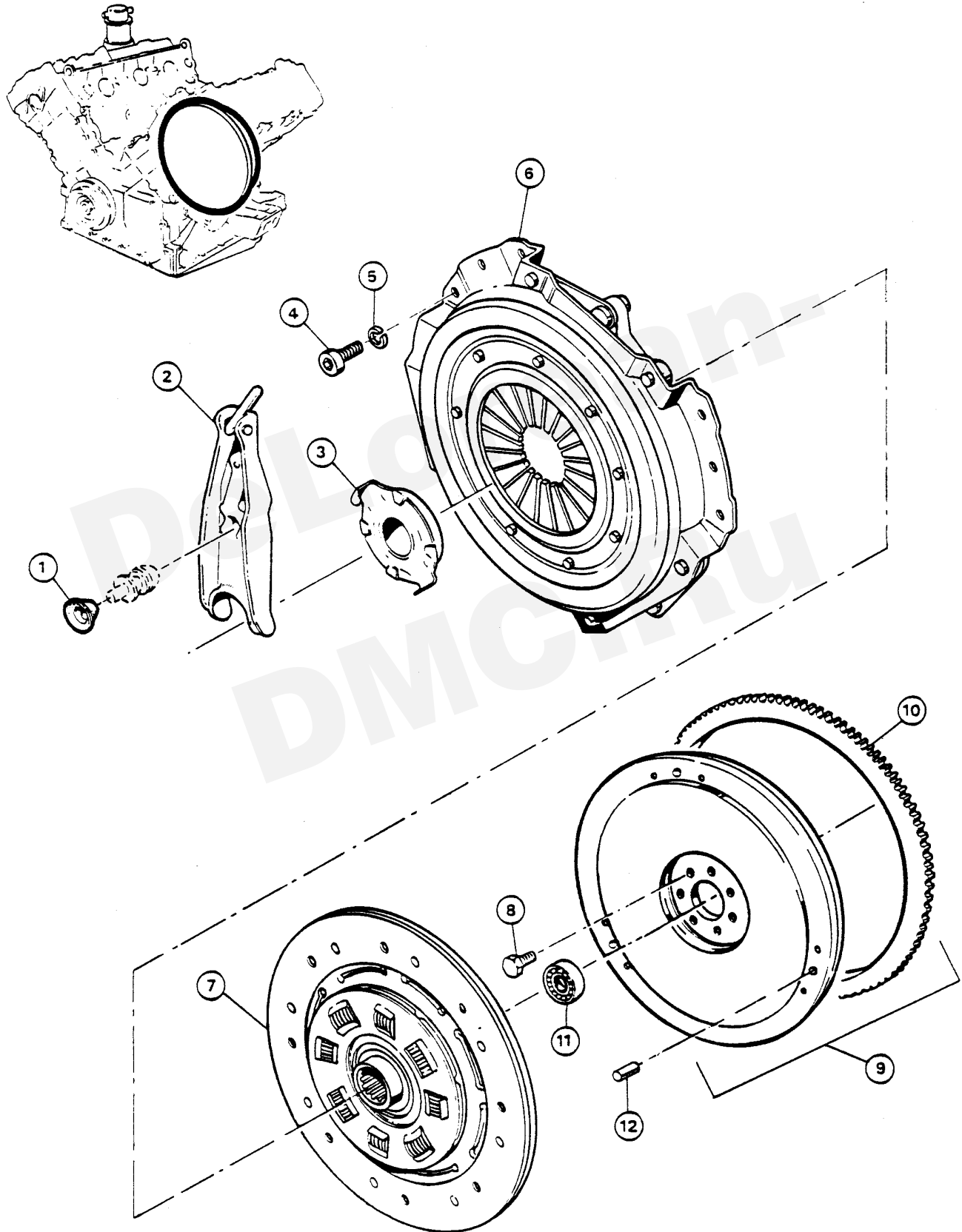
<b>4</b>	SECTION	MANUAL TRANSMISSION FLYWHEEL/CLUTCH
	SUBSECTION	
	GROUP	

FIG.	PART NUMBER	DESCRIPTION	QTY	REMARKS
1	103251	SEAL CAP	1	
2	103134	CLUTCH RLS FORK	1	369-08
	109614	CLUTCH RLS FORK		369-03
3	103245	BEARING CLU RELEASE	1	369-08
	109615	BEARING CLU RELEASE		369-03
4	102593	SCREW	6	
5	102594	WASHER- SPRING	6	
6	102753	CLUTCH PRESS PLATE	1	
7	102512	CLUTCH PLATE	1	369-08
	109600	CLUTCH PLATE		369-03
8	102064	SCREW M9	7	
9	102060	FLYWHEEL ASSEMBLY	1	
10	102062	. STARTER RING GEAR	1	
11	102569	CLU SHAFT SPIGOT BRG	1	
12	102063	ROLL PIN	3	

**NOT INCLUDED IN MANUFACTURING GEARBOX ASSEMBLY (SEE 4:1:0)**

MANUAL TRANSMISSION  
FLYWHEEL/CLUTCH

SECTION  
4 3 0 GROUP



4-3-0-11-20-81

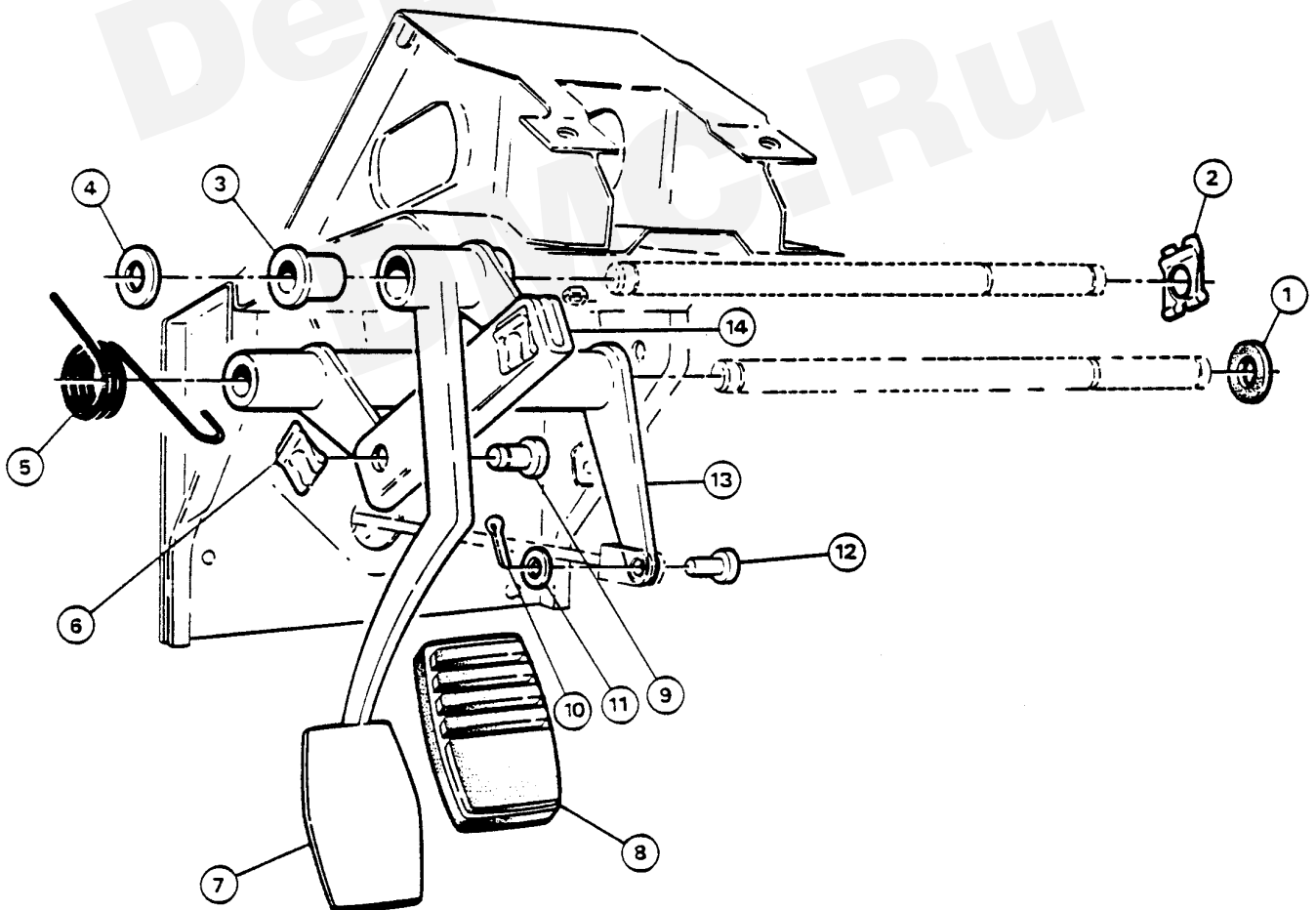
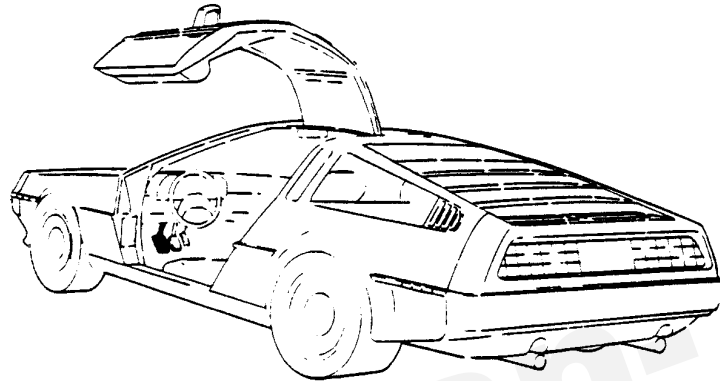
<b>4</b>	SECTION	CLUTCH PEDAL LINKAGE
	SUBSECTION	
	<b>4</b> / <b>0</b> GROUP	

FIG.	PART NUMBER	DESCRIPTION	QTY	REMARKS
1	100366 *	FELT WASHER	1	
2	SP10166 *	SAFETY CLIP	4	
3	100365 *	BUSH-CROSS SFT BRKT	4	
4	100364 *	WASHER	2	
5	1003B7 *	CLU PEDAL RETURN SPR	1	
6	SP10115 *	BAYONET CLIP	2	
7	100350 *	CLUTCH PEDAL	1	
8	101660 *	RUBBER PAD	1	
9	100359 *	PIVOT BIN	2	
10	SP10677	SPLIT PIN	1	
11	SP10032	PLAIN WASHER M8	1	
12	106061	CLEVIS PIN	1	
13	100353 *	CLUTCH REL SHAFT	1	
14	101688 *	LINK	1	

\* INCLUDED IN PEDAL BOX ASSEMBLY (SEE 6:6:0)

CLUTCH  
PEDAL LINKAGE

SECTION  
4 4  
SUBSECTION  
0 GROUP

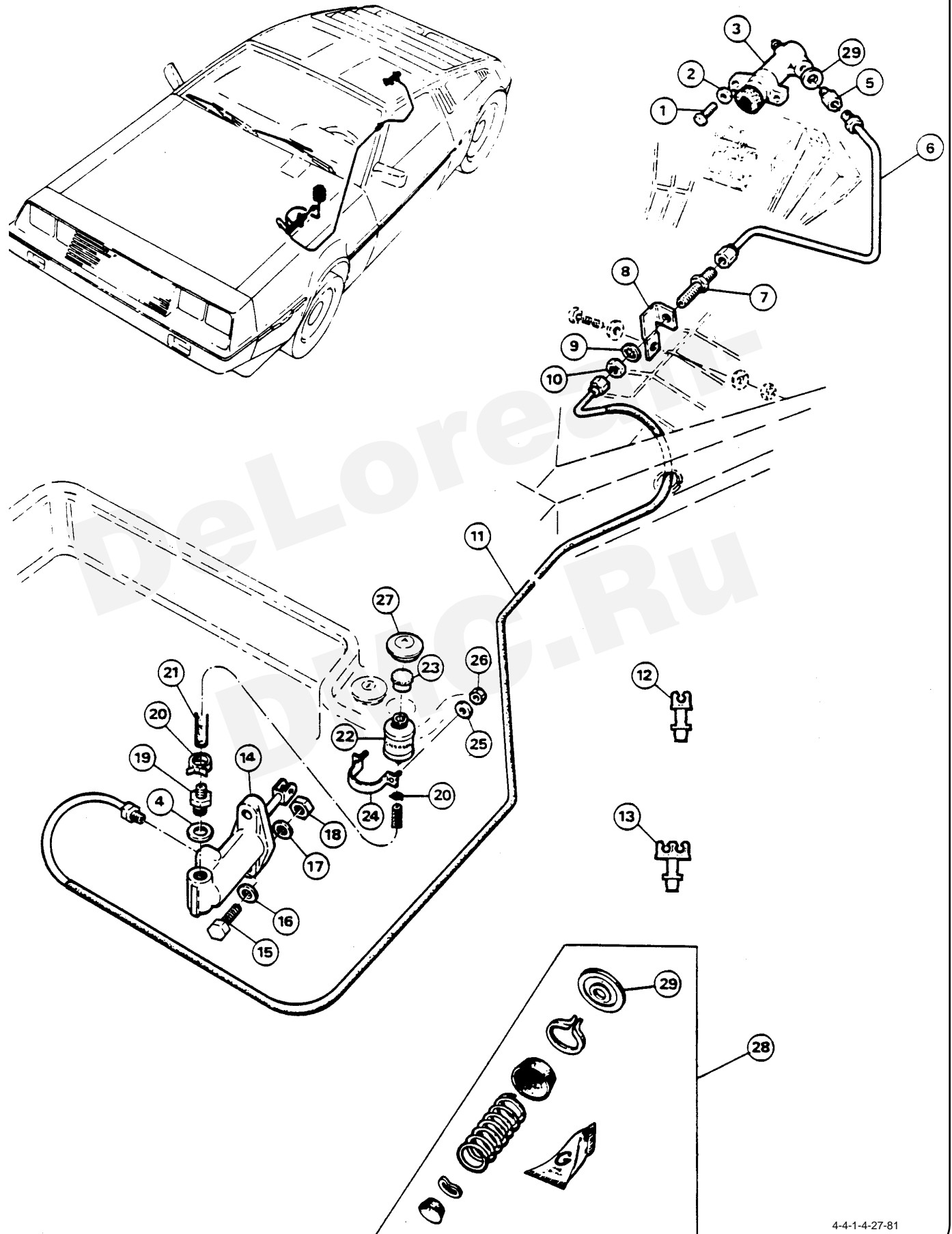


<b>4</b>	SECTION	TRANSMISSION CLUTCH HYDRAULICS
	SUBSECTION	
	GROUP	

FIG.	PART NUMBER	DESCRIPTION	QTY	REMARKS
1	SP10048	SCREW M7	2	
2	SP10049	SPRING WASHER M7	2	
3	100843	SLAVE CYUNDER	1	
4	SP10258	PLASTIC WASHER	1	
5	105464	ADAPTOR	1	
6	106773	CLUTCH PIPE	1	
7	106898	BULKHEAD CONNECTOR	1	
8	106320	SUPPORT BRACKET	1	
9	106900	SHAKEPROOF WA M12	1	
10	106899	NUT M12	1	
11	108637	CLUTCH PIPE	1	
12	SP10393	SINGLE PIPE CLIP	1	
13	SP10392	DOUBLE PIPE CLIP	1	
14	100462	MASTER CYLINDER	1	
15	SP10636	SCREW M10	2	
16	SP10637	WASHER M10	2	
17	SP10033	WASHER M10	2	
18	SPI0020	NYLOC NUT M10	2	
lg	108469	ADAPTOR	1	
20	SP10830	HOSE BAND	2	
21	106753	HOSE (RESVR-MAS CYL)	1	
22	106759	CLUTCH RESERVOIR	1	
23	106901	CLUTCH FLD RESVR CAP	1	
24	105889	CLUTCH RESVR MT BRKT	1	
25	SP10111	WASHER M5	2	
26	SP10106	NYLOC NUT M5	2	
27	106678	PLUG	1	
28	109043	CLUTCH SERVICE KIT	1	
29	106997	COPPER WASHER	1	

TRANSMISSION  
CLUTCH HYDRAULICS

SECTION  
4  
SUBSECTION  
4  
1 GROUP



4-4-1-4-27-81

<b>4</b>	SECTION	AUTOMATIC TRANSMISSION ASSY GASKET SETS
	SUBSECTION	
	<b>5</b> / <b>0</b> GROUP	

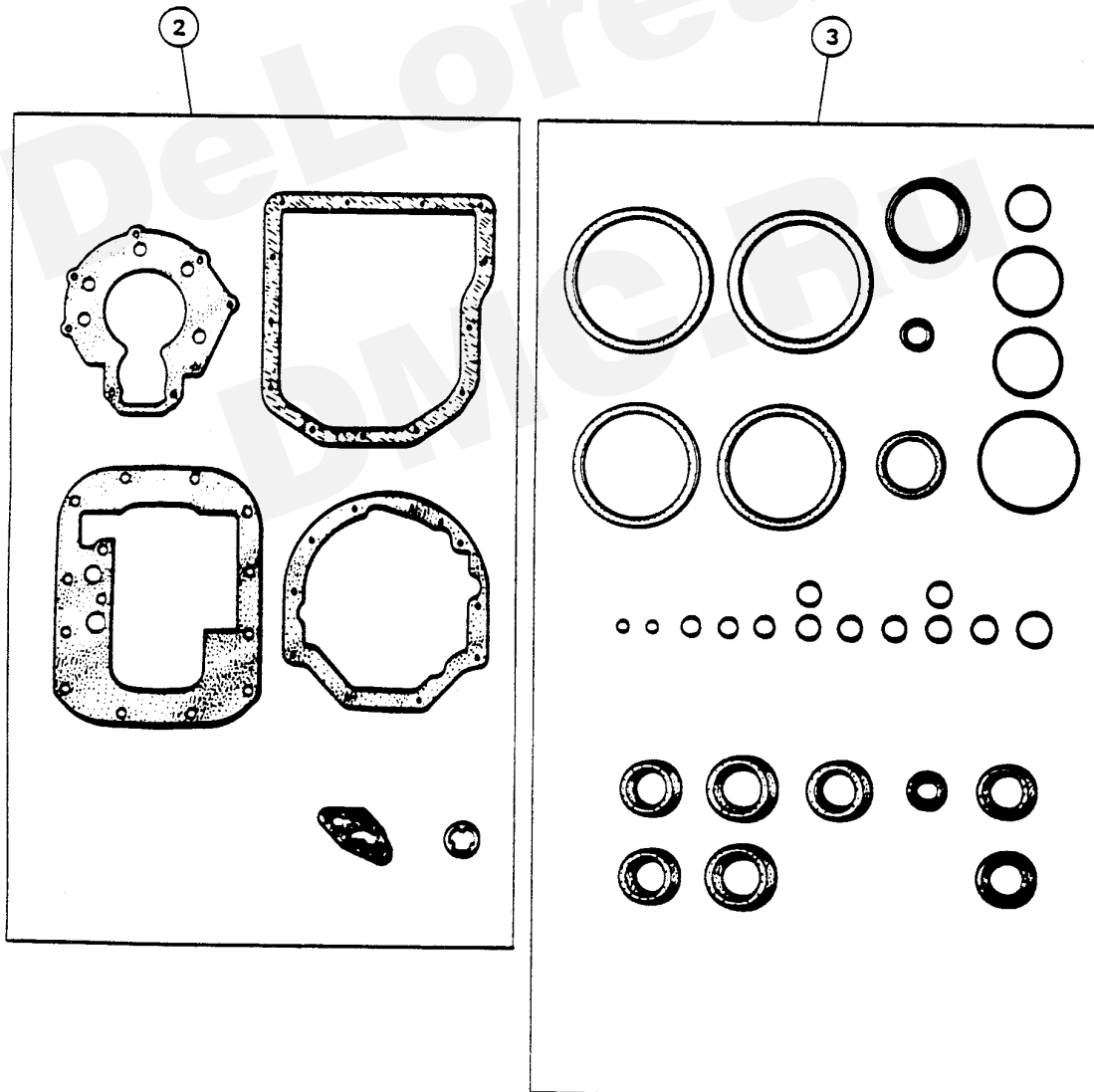
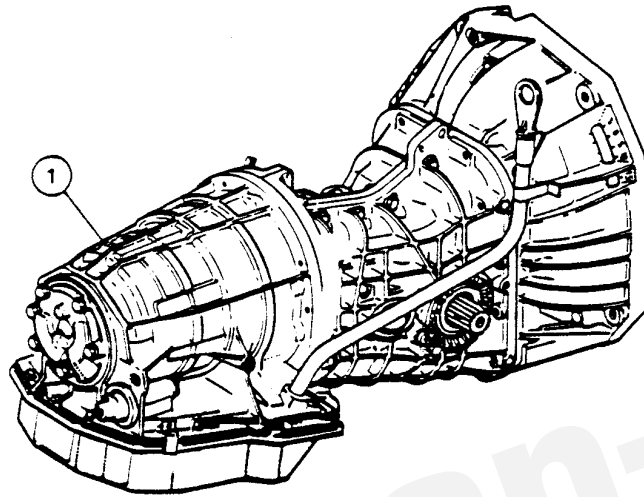
FIG.	PART NUMBER	DESCRIPTION	QTY	REMARKS
1	100105	AUTO GEARBOX ASSY	1	COMPRISES ITEMS FROM SECTIONS 4:5:1, 4:5:2, 4:5:3, 4:5:4, 4:5:5, 4:5:6, 4:5:7 & 4:6:0 EXCEPT THOSE MARKED *
2	103500	GASKET KIT	1	
3	103501	'O' RING KIT	1	

DeLorean-DMC.Ru



AUTOMATIC TRANSMISSION ASSY  
GASKET SETS

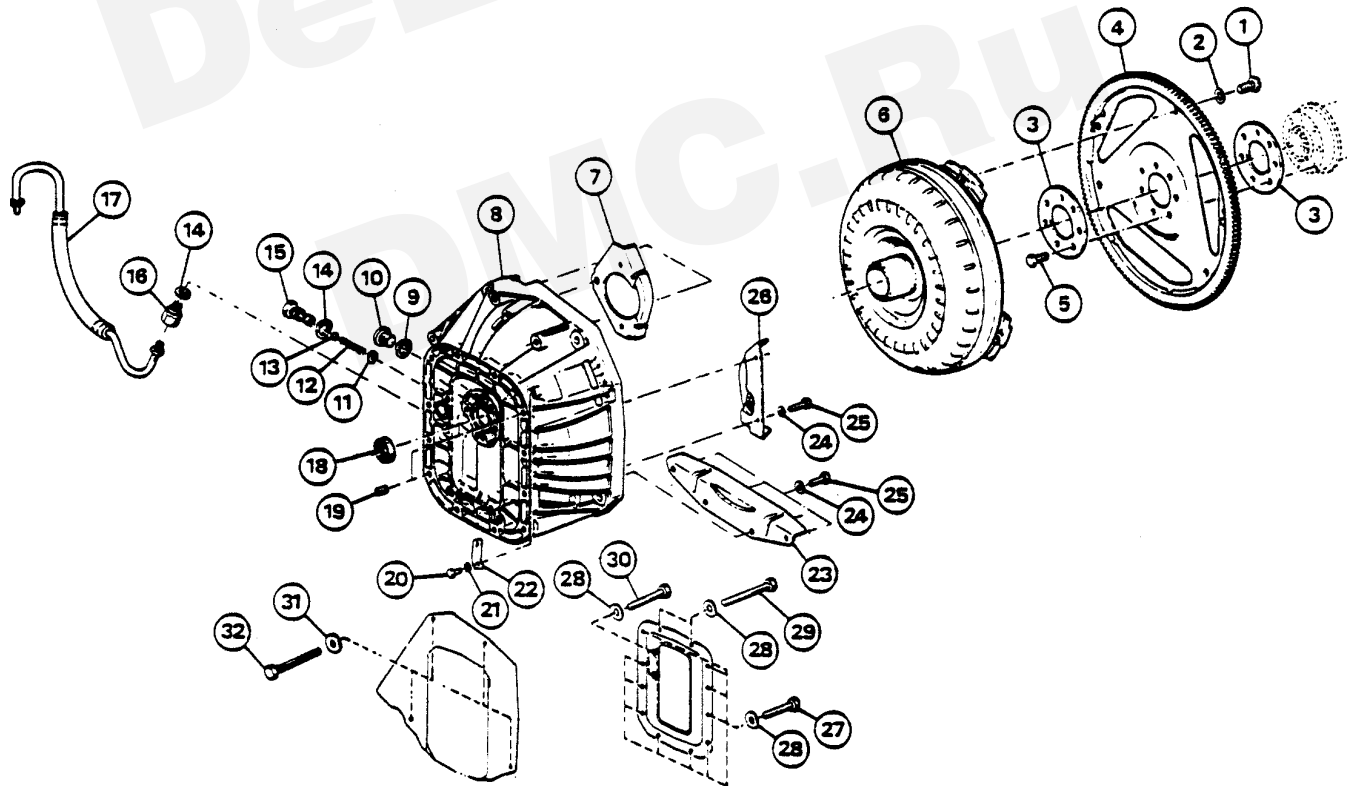
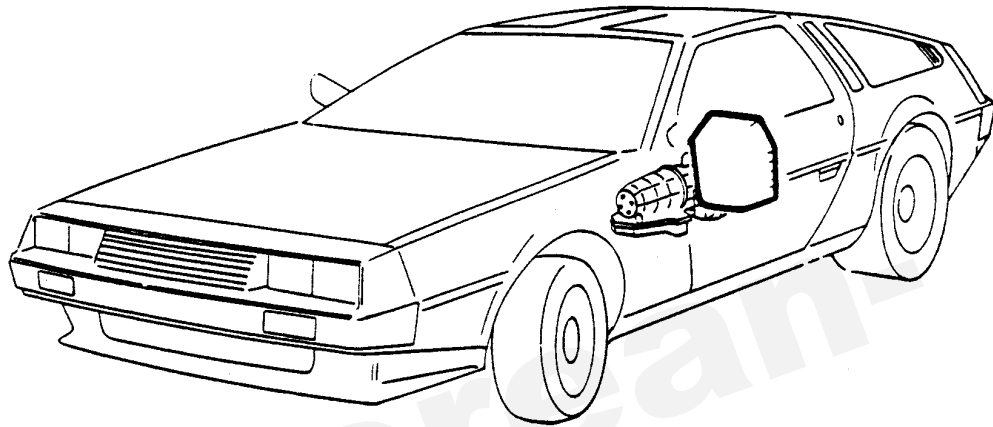
SECTION  
4 5 SUBSECTION  
0 GROUP



SECTION		AUTOMATIC TRANSMISSION		
SUBSECTION		TORQUE CONVERTOR/CASING		
4	5	1	GROUP	
FIG.	PART NUMBER	DESCRIPTION	QTY	REMARKS
1	SP10223 *	SCREW	3	
2	101093 *	WASHER-SPRING	3	
3	102068 *	FLANGE-START RNGR	2	
4	102065 *	STARTER RING GEAR	1	
5	102069 *	SCREW M9 x 100	7	
6	103753	CONVERTOR	1	
7	101074 *	PROTECTION PLATE	1	
8	103834	CONVERTOR CASE	1	
9	102101	SEAL	1	
10	103815	MAGN DRAIN PLUG	1	
11	103828	WASHER	1	
12	103535	SPRING	1	
13	103536	BALL 7.938 MM DIA	1	
14	103513	SEAL	2	
15	103538	CHECK VALVE	1	
16	103512	TAPER PIPE	1	
17	108493 *	PIPE-OIL DELIVERY	1	
18	103543	LIP SEAL	1	
19	103542	CENTERING RING	2	
20	103547	SCREW	1	
21	101076	TOOTHED WASHER	1	
22	103546	BRACKET	1	
23	101073 *	PROTECTION PLATE	1	
24	101076 *	TOOTHED WASHER	6	
25	101084 *	SCREW	6	
26	101075 *	PROTECTION PLATE	1	INCLUDES PICK-UP SUPPORT 101067, SCREW SP10453 & NUT SP10166 (SEE 3-4-1)
27	103149	SCREW M10	10	
28	101095	WASHER-SPRING	14	
29	103545	SCREW M10	2	
30	103024	SCREW M10	2	
31	101079 *	WASHER M10	4	
32	101078 *	SCREW M10	4	

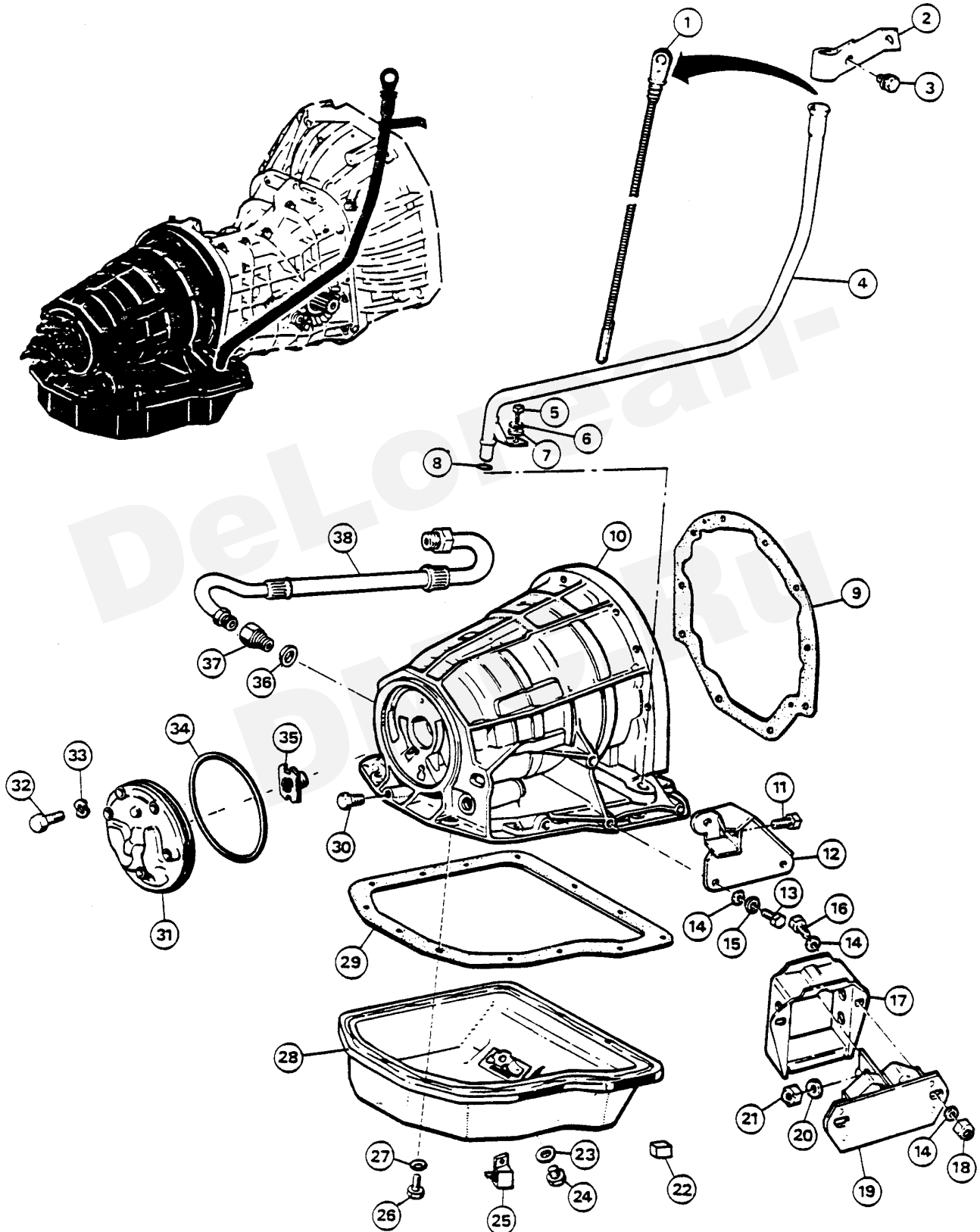
AUTOMATIC TRANSMISSION  
TORQUE CONVERTER/CASING

SECTION  
4 5  
SUBSECTION  
1 GROUP



4	SECTION	TRANSMISSION		
	SUBSECTION	AUTO CASE/PUMPS/SEALS		
	5 / 2 GROUP			
FIG.	PART NUMBER	DESCRIPTION	QTY	REMARKS
1	110134 *	DIPSTICK	1	
2	108628 *	DIPSTICK UPPER BRKT	1	
3	SP10457 *	SEMS SCREW M5	1	
4	106770 *	DIPSIICK TU8E	1	
5	SP10437 *	SCREW M7	1	
6	SP10049*	SPRING WASHER M7	1	
7	SP10259 *	WASHER M7	1	
8	102009 *	'O' RING	1	OR SP10709
9		GASKET	1	PART OF KIT 103500 (4-5-0)
10	103838	MECHANISM CASE ASSY	1	PART 'A' INCLUDED
11	SP10018 *	SCREW M10	2	
12	106335 *	G/BX MT BRACKET LH	1	
	106336 *	G/BX MT BRACKET RH	1	
13	SP10002 *	SCREW M8	6	
14	SP10032 *	WASHER M8	14	
15	SPI0035 *	SPRING WASHER M8	6	
16	SP10001	SCREW M8	4	
17	100902 *	G/BX RUB SUPT BRACKET	2	
18	SP10025 *	NYLOC NUT M8	4	
19	100901 *	G/BX RUBBER MOUNTING	2	
20	SP10033 *	WASHER M10	2	
21	SP10026 *	NYLOC NUT M10	2	
22	103051	RETAINING MAGNET	1	
23	102101	SEAL	1	
24	103815	MAGN DRAIN PLUG	1	
25	103517	SUPPORT LUG	1	
26	102554	SCREW M7	13	
27	103837	SPRING WASHER M7	13	
28	103514	LOWER PAN	1	
29	103516	GASKET	1	ALSO PART OF KIT 103500 (4-5-0)
30	103503	BOLT	1	A
31	103505	OIL PUMP HOUSING	1	
32	102107	SCREW M7	6	
33	101048	WASHER M7	6	
34	103506	'O' RING	1	
35	103504	DRIVER	1	
36	103513	SEAL	1	
37	103512	TAPER PIPE	1	
38	101793 *	OIL RETURN PIPE	1	

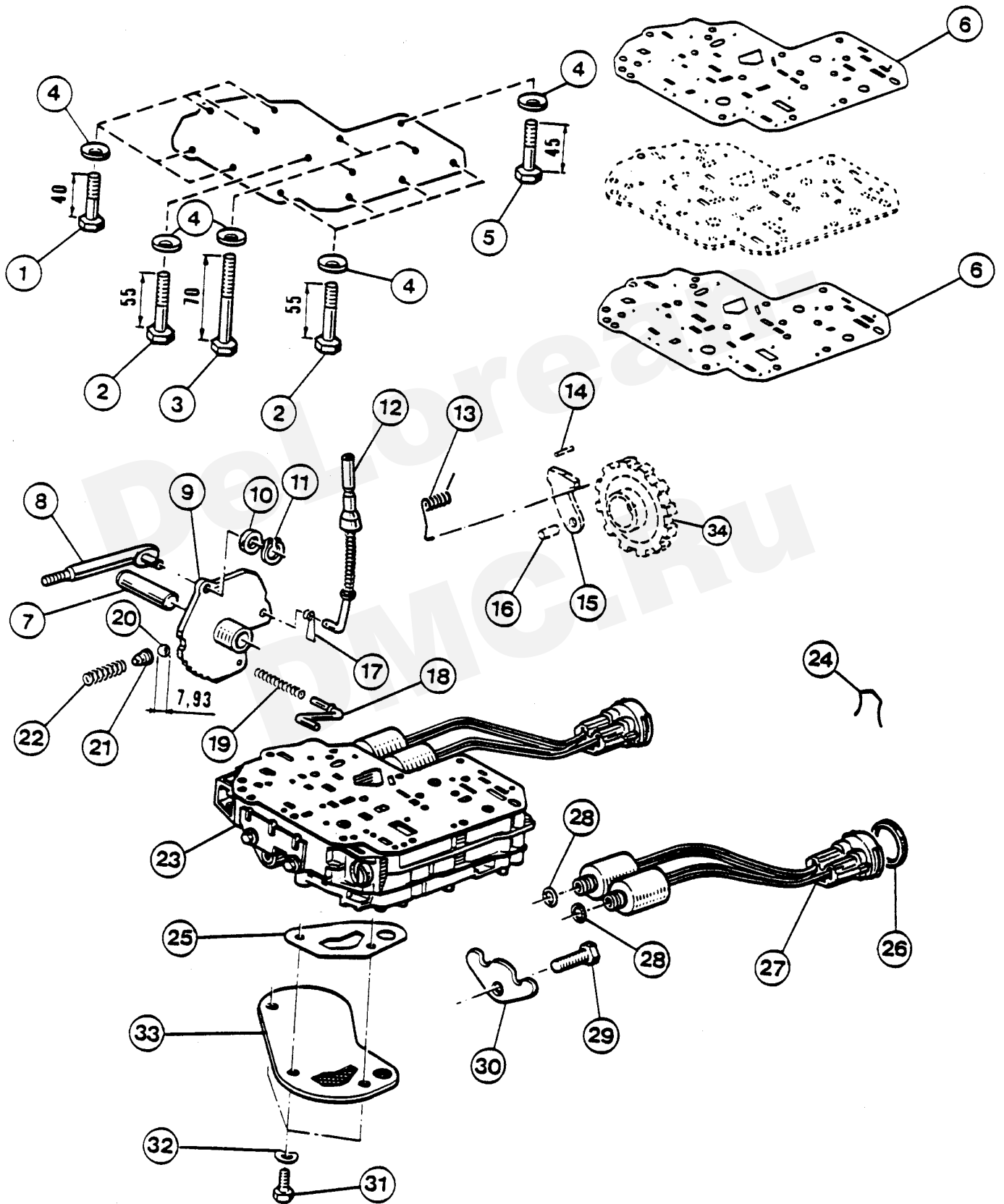
\* NOT INCLUDED IN AUTOMATIC TRANSMISSION ASSEMBLY (SEE 4-5-0)



SECTION		TRANSMISSION		
SUBSECTION		VALVE BODY/INTERNAL LINKAGE		
4	5	3	GROUP	
FIG.	PART NUMBER	DESCRIPTION	QTY	REMARKS
1	102199	SCREW M7	5	
2	102148	SCREW M7	5	
3	103708	SCREW M7	3	
4	103529	WASHER M7	14	
5	103706	SCREW M7	1	
6	104172	PAPER GASKET	2	
7	103715	ROLLU PIN M12-55	1	
8	103998	ROD	1	A
9	103995	CON QUADRANT ASSY	1	PARTS 'A' INCLUDED
10	103999	SPACER	1	A
11	104000	CIRCLIP	1	A
12	103716	PARKING LINK	1	
13	103722	ARM RETURN SPRING	1	
14	103721	PIN FOR SPRING	1	
15	103719	PARKING ARM	1	
16	103720	PARKING PIN	1	
17	103717	RETAINING SPRING	1	
18	103709	CONTROL ROD	1	PART 'C' INCLUDED
19	103710	SPRING	1	C
20	103536	BALL 7.938	1	5/16 IN
21	103712	DAMPER	1	
22	103711	SPR-PRESS TYPE 19	1	
23	103693	HYD SEQUENCE DIST	1	
24	103699	CLIP	1	B
25	103703	FILTER GASKET	1	
2B	103698	'O' RING	1	
27	104003	SOLENOID VLV ASSY	1	PARTS 'B' INCLUDED
28	103697	SOL VALVE SEAL RING	2	B
29	102274	SCREW M6	1	
30	103700	MOUNTING PLATE	1	
31	102554	SCREW M6	3	
32	101048	WASHER MII	3	
33	103702	FILTER	1	
34		PARKING WHEEL	1	REFER TO 4-5-4

TRANSMISSION  
VALVE BODY/INTERNAL LINKAGE

SECTION 4  
SUBSECTION 5  
GROUP 3



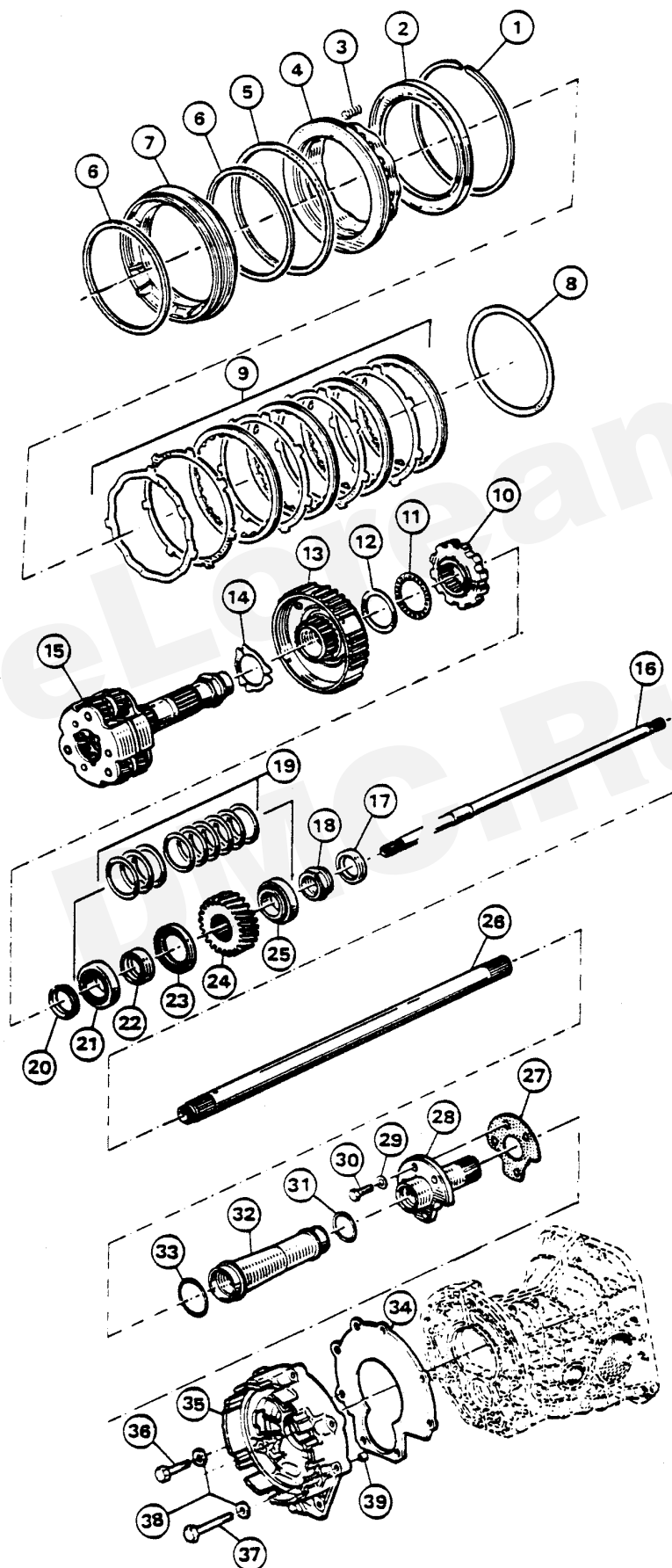
4-5-3-1-14-82

SECTION		AUTOMATIC TRANSMISSION		
SUBSECTION		PLANETARY CARRIER/BRAKE B2		
4	5	4	GROUP	
FIG.	PART NUMBER	DESCRIPTION	QTY	REMARKS
1	103603	STOP RING	1	
2	103949	CUP F2	1	
3	103591	RETURN SPRING	24	
4	103599	PISTON F2	1	
5	103601	GASKET	1	
6	103600	GASKET	2	
7	103G37	SUPPORT PISTON	1	
8	103944	FEELER GA 0.30 MM THK		
	103946	FEELER GA 0.60 MM THK	1	
	103946	FEELER GA 0.90 MM THK	1	
9	103594	SET OF BRAKE DISCS	1	
10	103569	PARKING WHEEL	1	
11	1035ii8	NEEDLE THRUST BRG	1	
12	103567	COUNTERPLATE	1	
13	103566	HUB F2	1	
14	103565	THRUST WASHER	1	
15	103564	PLNT WHL HOLDING SFT	1	
16	103579	PUMP SHAFT	1	
17	103578	LIP SEAL	1	
18	103884	NUT FOR SPIDER CARR	1	
19	103571	SET OF SHIMS	2	
20	103570	SPACER	1	
21	103572	TAPER ROLLER BEARING	1	
22	103573	SEALING RING	1	
23	103574	LIP SEAL	1	
24	103878	CLUTCH GEAR	1	
25	103576	TAPER ROLLER BEARING	1	
26	103580	TURBINE SHAFT	1	
27	103866	GASKET	1	
28	103861	STATOR SHAFT	1	
29	103865	SPRING RING M10	4	
30	103864	SCREW M10	4	
31	103583	'O' RING	1	
32	103581	BELL AND SPIGOT	1	
33	103582	'O' RING	1	
34	104219	GASKET	1	PART OF KIT 103500
35	103526	BRAKE CASE	1	
36	103530	SCREW M7	6	
37	103528	SCREW M7	2	
38	103529	WASHER	8	
39	1035Z7	CENTERING RING	2	



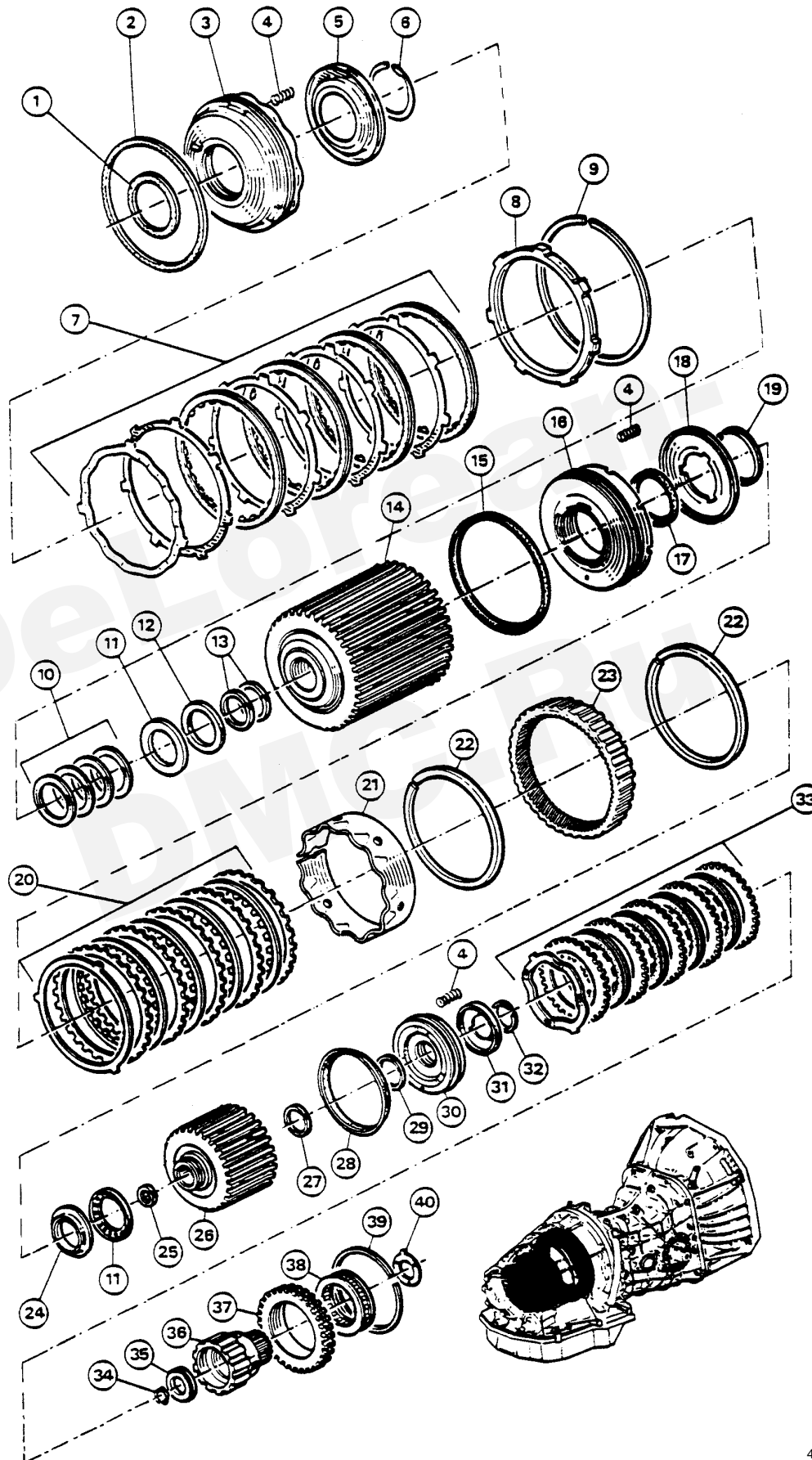
AUTOMATIC TRANSMISSION  
PLANETARY CARRIER/BRAKE B2

SECTION  
4 5  
SUBSECTION  
4 GROUP



4-5-4-4-27-81

4	SECTION		AUTOMATIC TRANSMISSION	
	5	SUBSECTION	BRKAE B1/CLUTCH C1/CLUTCH C2	
		5	GROUP	
FIG.	PART NUMBER	DESCRIPTION	QTY	REMARKS
1	103589	GASKET	1	
2	103590	GASKET	1	
3	103588	PISTON B1 REVERSE	1	
4	103591	SPRING PISTON RETURN	58	A- 12 OFF ONLY INCLUDED IN 103620
5	103592	CUP B1	1	
6	103593	STOP RING	1	
7	103594	BRAKE DISCS B2/8VSET	1	
8	103595	PRESSURE PLATE BI	1	
9	103596	STOP RING	1	
10	103635	SPACER KIT	1	
11	103618	B8RG NEEDLE THRUST	2	
12	103967	COUNTER PLATE	1	
13	103637	RING	2	
14	103966	CLUTCH C2	1	
15	103613	SEAL, LIP	1	A
16	103608	PISTON	1	
17	103612	LIP SEAL	1	A
18	103610	CUP	1	
19	103611	CIRCLIP	1	
20	103614	CLUTCH DISCS C2/SET	1	PARTS 'A' INCLUDED
21	103615	SPACER	1	
22	103616	CIRCLIP	2	
23	104220	TOOTHED RING	1	
24	103617	COUNTER PLATE	1	
25	103619	HUB RING	1	B
26	103620	CLUTCH C1I	1	PARTS 'B' INCLUDED
27	103621	RING	1	B
28	1036Z6	LIP SEAL	1	C
29	103625	SEAL	1	C
30	103622	C1 PISTON ASSY	1	KIT B. PARTS 'C' INCLUDED
31	103623	C1 CUP	1	B
32	103624	STOP RING	1	B
33	103627	CLUTCH DISCS CISET	1	B
34	103628	SNAP RING	1	B
35	103629	BRG NEEDLE THRUST	1	B
36	103632	INPUT GEAR HUB	1	B
37	103630	OTR TRACK FREEWHEEL	1	B
38	103631	FREEWHEEL	1	B
39	103633	RETAINING RING	1	B
40	103634	THRUST WASHER	1	

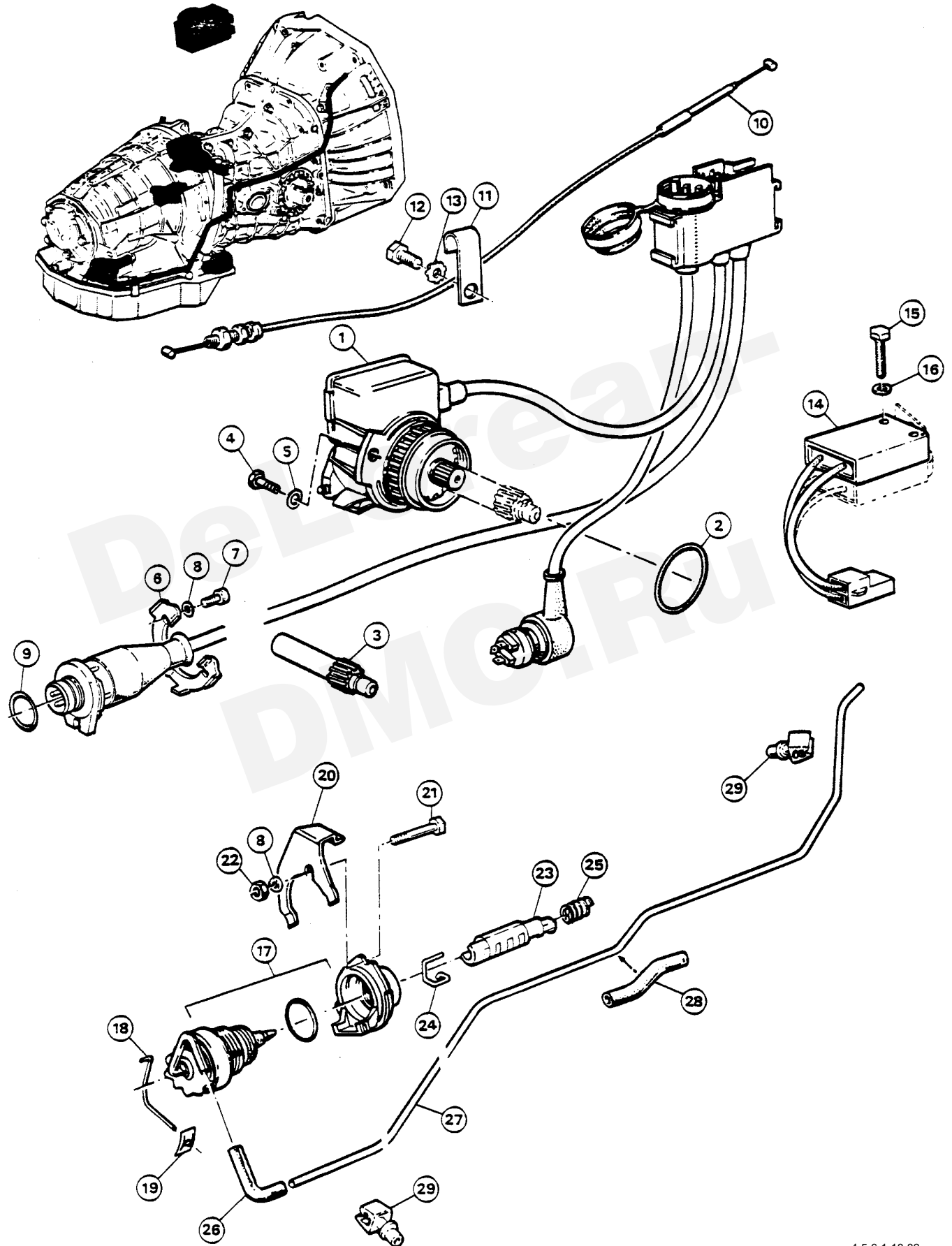


4 SECTION		TRANSMISSION		
5 SUBSECTION		COMPUTER/MODULATOR		
6 GROUP				
FIG.	PART NUMBER	DESCRIPTION	QTY	REMARKS
1	104218	COMPARATIVE GOV ASSY	1	
2	103726	. 'O' RING	1	
3	103725	SPINDLE GEAR	1	
4	103029	BOLT	2	
5	103728	SPRING WASHER M8	2	
6	104202	CLAMP	1	
7	102554	SCREW M7	2	
8	104095	SPRING WASHER M7	3	
9	103732	'O' RING	1	
10	101094 *	GOV GEAR BOX CABLE	1	
11	SP10378 *	SPRING CLIP	1	
t2	SP10226 *	SCREW M7	1	
13	101076 *	TOOTHED WASHER	1	
14	102785 *	MICROSWITCH	1	KICKDOWN ON ENGINE
15	102775 *	SCREW	2	SEE 2-3-0 ITEM 17
16	102787 *	WASHER	2	SEE 2-3-0 ITEM 18
17	104179	VACUUM CAPSULE	1	
18	104201	. ADJUSTING FASTENER	1	
19	104202	. PUSH ON FASTENER	1	
20	104203	ADAPTOR HOLDING LUG	1	
21	102251	SCREW M7	1	
22	102441	NUT M7	1	
23	102819	CON VALVE/SLEEVE ASSY	1	
24	104207	. HOLDING FASTENER	1	
25	103737	. RETURN SPRING	1	
25	101290 *	VACUUM ELBOW UNION	1	
27	101089 *	VACUUM PIPE	1	
28	101090 *	SLEEVE	1	
29	SP10543	PIPE CLIP	2	

\* NOT INCLUDED IN AUTOMATIC TRANSMISSION ASSY (SEE 4-5-0)

TRANSMISSION  
COMPUTER/MODULATOR

SECTION  
4 5  
SUBSECTION  
6 GROUP

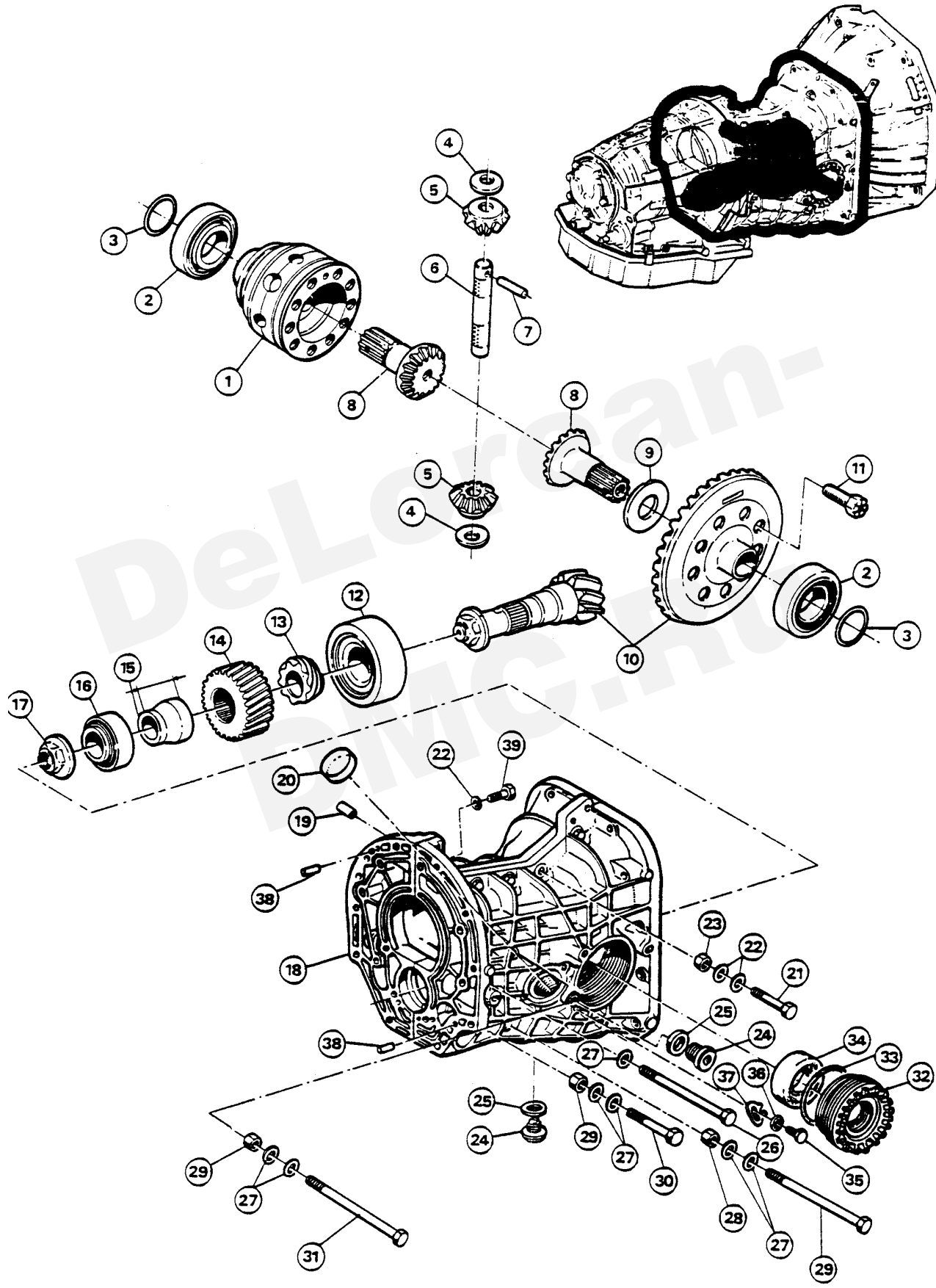


4-5-6-1-18-82

SECTION		AUTOMATIC TRANSMISSION		
SUBSECTION		FINAL DRIVE		
4	5	7	GROUP	
FIG.	PART NUMBER	DESCRIPTION	QTY	REMARKS
1	103911	DIFFERENTIAL CASE	1	
2	103119	CONICAL RLR BEARING	2	
3	103691	'O' RING	2	
4	103203	THRUST SPIDER	2	SPIDER GEAR
5	103202	SPIDER GEAR	2	
6	103204	SPIDER GEAR SPINDLE	1	
7	103114	CYLINDRICAL PIN	1	
8	103199	FINAL DRIVE GEAR	2	
9	103201	THRUSTWASHER	1	SIDE GEAR
10	102813	CROWN WHEEL Et PINION	1	MATCHED
11	103205	SCREW M12	10	
12	103640	TAPER ROLLER BEARING	1	
13	103885	GOV CONTROL GEAR	1	
14	103886	SECONDARY GEAR	1	
15	103643	SPACER 17.90MM THICK		SPECIFY THICKNESS, ONE ONLY REQUIRED PER GEARBOX
	103644	SPACER 17.95MM THICK		
	103645	SPACER 18.00MM THICK		
	103646	SPACER 18.05MM THICK		
	103647	SPACER 18.10MM THICK		
	103648	SPACER 18.15MM THICK		
	103649	SPACER 18.20MM THICK		
	103650	SPACER 18.25MM THICK		
	103651	SPACER 18.30MM THICK		
	103652	SPACER 18.35MM THICK		
	103653	SPACER 18.40MM THICK		
	103654	SPACER 18.45MM THICK		
	103655	SPACER 18.50MM THICK		
	103656	SPACER 18.55MM THICK		
	103657	SPACER 18.60MM THICK		
	103658	SPACER 18.65MM THICK		
	103659	SPACER 18.70MM THICK		
	103682	SPACER 18.75MM THICK		
	103683	SPACER 18.80MM THICK		
	103684	SPACER 18.86MM THICK		
	103685	SPACER 18.90MM THICK		
	103686	SPACER 18.96MM THICK		
	103687	SPACER 19.00MM THICK		
16	103688	TAPER ROLLER BEARING	1	
17	103689	DRIVE GEAR NUT	1	
18	104217	GEARBOX CASE ASSY	1	
19	101051	. RING DOWEL	2	
20	103814	. PLUG 35	1	
21	102142	. SCREW M8	10	
22	103007	. WASHER M8	20	
23	102437	. NUT M8	10	
24	103815	. MAGNETIC DRAIN PLUG	2	

AUTOMATIC TRANSMISSION  
FINAL DRIVE

SECTION  
4 5  
SUBSECTION  
7 GROUP



4-5-7-8-14-81

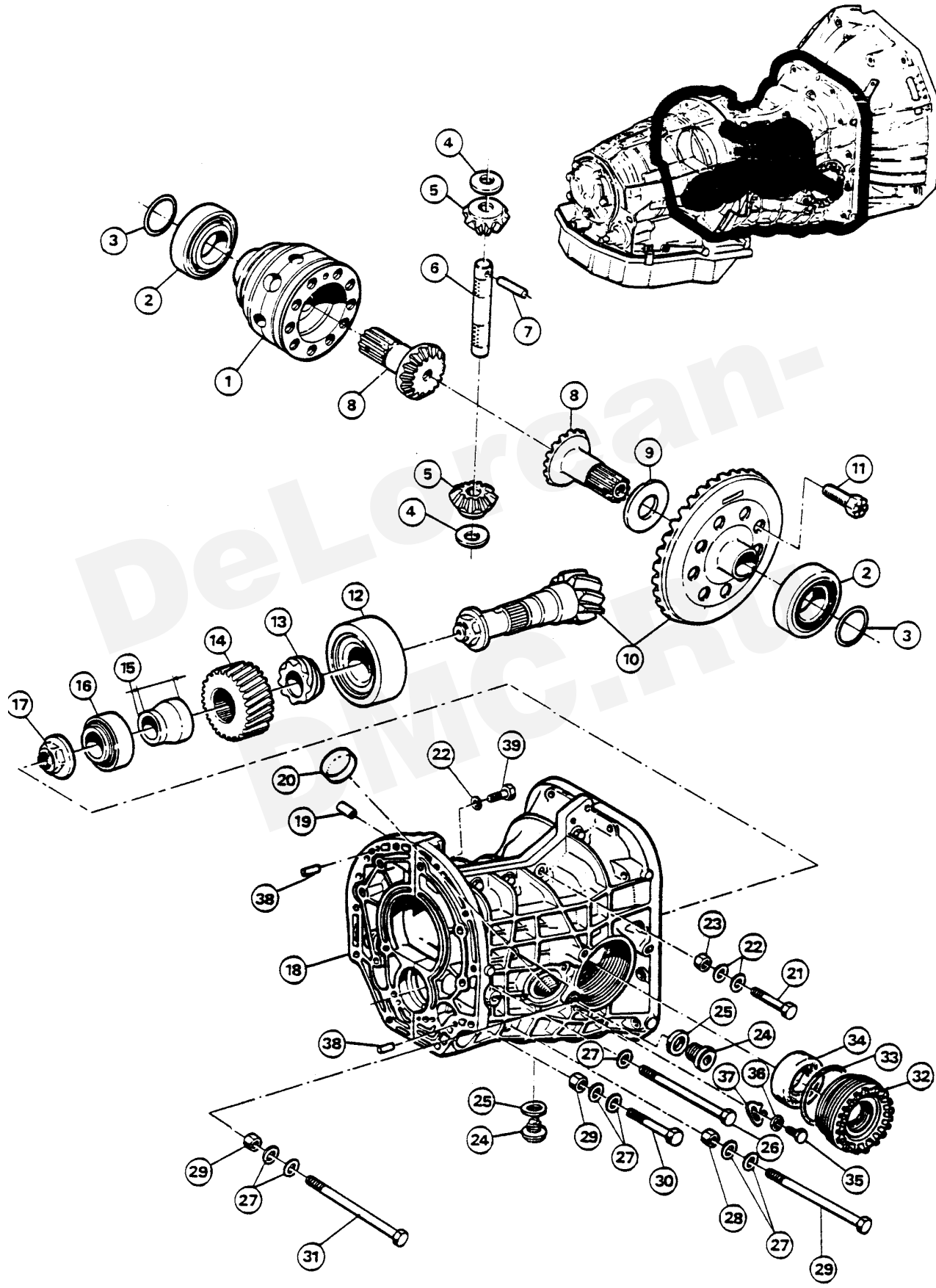
<b>4</b>	SECTION	AUTOMATIC TRANSMISSION FINAL DRIVE
	SUBSECTION	
	7 GROUP	

FIG.	PART NUMBER	DESCRIPTION	QTY	REMARKS
25	102101	. SEAL	2	
26	103525	. SCREW M10	1	
27	101095	. SPRING WASHER M10	7	
28	103523	. SCREW M10	1	
29	102433	. NUT M10	3	
30	103524	. SCREW M10	1	
31	103522	. SCREW M10	1	
32	103802	DIFF ADJ SCREW ASSY	2	
33	103013	. 'O' RING	2	
34	103044	. LIP SEAL	2	OR 104216
35	102475	SCREW M8	2	
36	101050	SPRING WASHER M8	2	
37	103045	SCREW RETAINER	2	
38	103003	CYLINDRICAL PIN	2	
39	102427	SCREW M8	8	
22	103007	WASHER M8	8	



AUTOMATIC TRANSMISSION  
FINAL DRIVE

SECTION  
4 5  
SUBSECTION  
7 GROUP



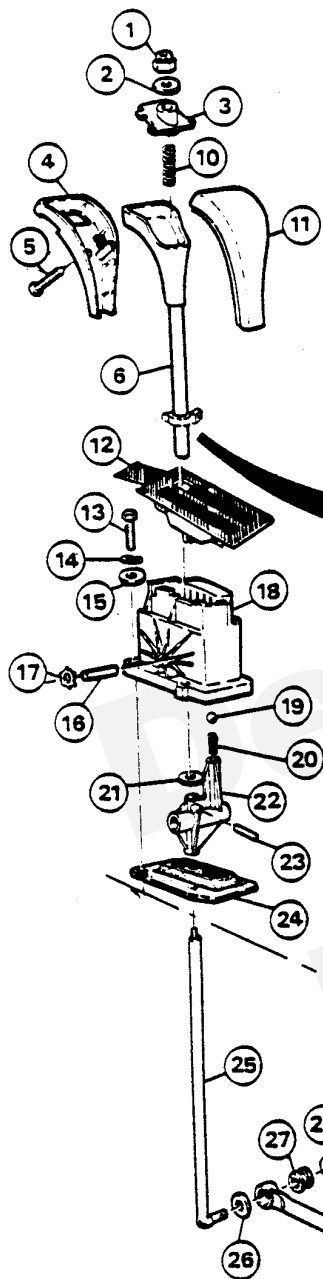
4-5-7-8-14-81

<b>4</b>	SECTION	TRANSMISSION AUTO-SHIFT LINKAGE
	SUBSECTION	
	<b>6</b> / <b>0</b> GROUP	

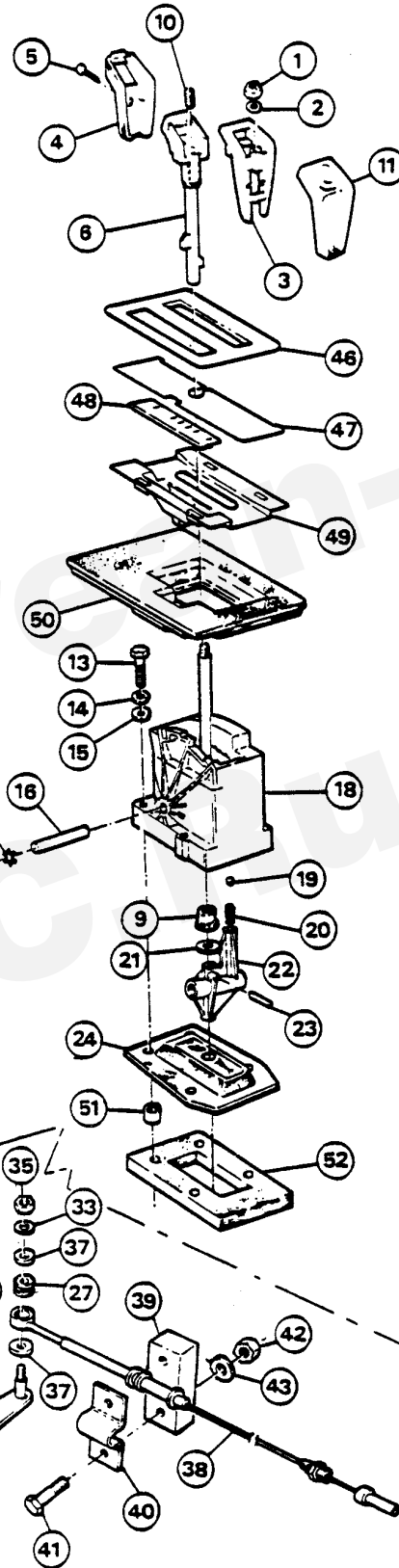
FIG.	PART NUMBER	DESCRIPTION	QTY	REMARKS
1	SP10106 *	NUT M5	1	
2	SP10117 *	LARGE WASHER M5	1	
3	101397 *	KNOB MOUNTING BRKT	1	UP TO VIN 4836
	110107 *	KNOB MOUNTING BRKT	1	FROM VIN 4837
4	101918 *	LOWER CASE	1	UP TO VIN 4838
	110106	LOWER CASE	1	FROM VIN 4837
5	SP10114 *	SCREW N4	2	
6	101399 *	BAULK LEVER	1	UP TO VIN 4831
	110095	BAULK LEVER	1	FROM VIN 4837
7	108309 *	PAWL RING	1	UP TO VIN 4838
8	SP10768 *	SCREW M4	1	UP TO VIN 4836
9	101920 *	BUSH	1	
10	101919 *	SPRING	1	
11	100557 *	UPPER CASING	1	UP TO VIN 4838
	110103	UPPER CASING	1	FROM VIN 4837
12	106347 *	AUTOMATIC QUADRANT	1	UP TO VIN 4838
13	SP10225 *	BOLT M6	4	UP TO VIN 4838
	SP10016	BOLT M6	4	FROM VIN 4837
14	SP10252 *	SPRING WASHER M6	4	
15	SP10031 *	WASHER M6	4	
16	105428 *	SPINOLE	2	
17	105429 *	SPRING CLIP	2	
18	105427 *	HOUSING	1	
19	105432 *	BALL BEARING	1	
20	105434 *	SPRING	1	
21	105430 *	RUBBER WASHER	1	
22	105435 *	PIVOT	1	
23	105436 *	LOCKING PIN	1	
24	105437 *	GAITER	1	
	110184 *	GAITER	1	
25	105431 *	ROD	1	
26	106362 *	WASHER	2	
27	106361 *	BUSH	2	
28	106360 *	RETAINING PIN	1	UP TO VIN 1750
29	SP10578 *	CIRCLIP	1	FROM VIN 1751
30	101864 *	FRONT GEARCHANGE TUBE	1	
31	100776 *	BEARING	2	
32	100775 *	BUSH	1	
33	SP10032 *	WASHER M8	4	
34	100824 *	RELAY LEVER	1	
35	SP10025 *	NYLOC NUT M8	2	
36	100277 *	PIVOT BOLT	1	
37	SP10033 *	HEAVY SERIES WA M10	2	
38	100558 *	CABLE	1	
39	101923	SUPPORT BRACKET	2	
40	101924 *	CLAMP, G/SHIFT CABLE	2	

TRANSMISSION  
AUTO-SHIFT LINKAGE

SECTION  
4  
SUBSECTION  
6  
GROUP  
0



UP TO VIN 4836



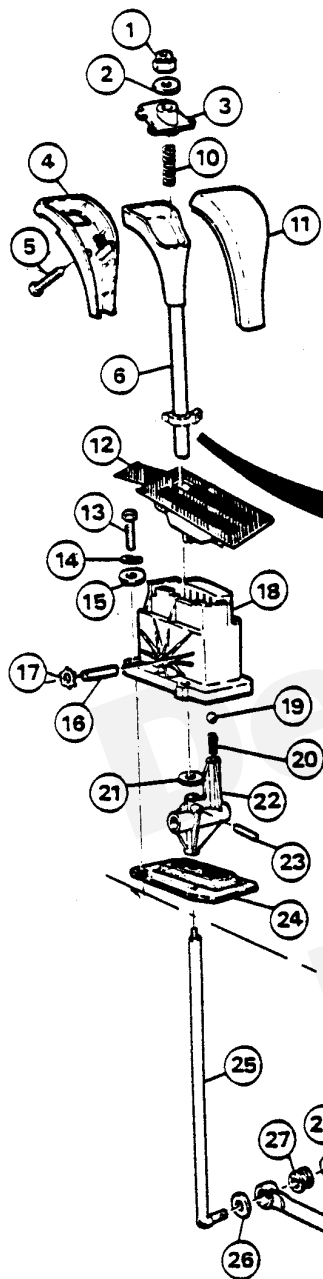
FROM VIN 4837

<b>4</b>	SECTION	TRANSMISSION AUTO-SHIFT LINKAGE
	SUBSECTION	
	<b>6</b> / <b>0</b> GROUP	

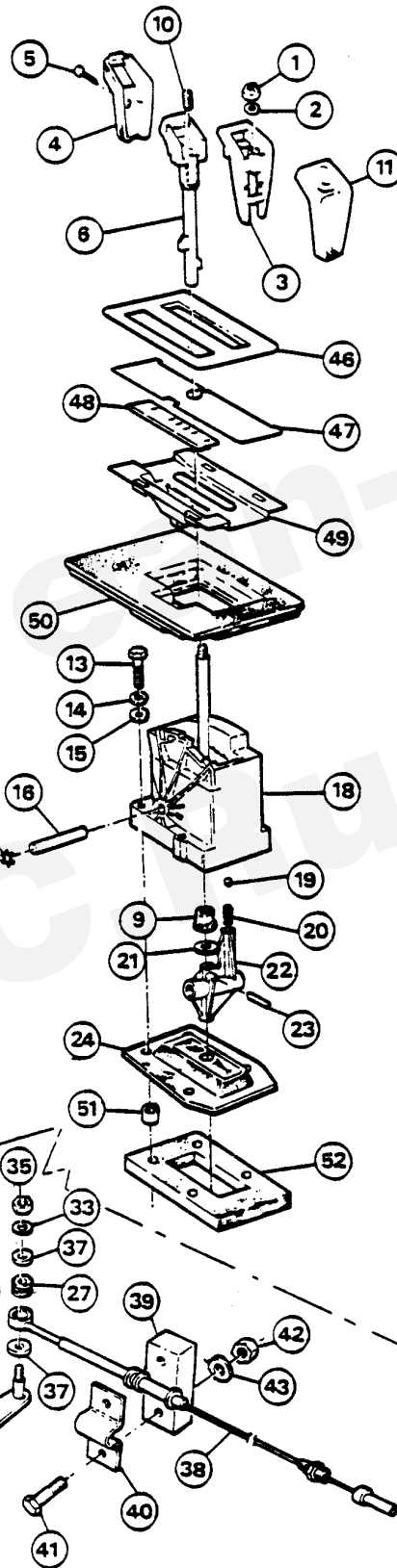
FIG.	PART NUMBER	DESCRIPTION	QTY	REMARKS
41	SP10198 *	80LT M6	2	UP TO VIN 786
	SP10807 *	SEMS SCREW M6	2	FROM VIN 787
42	SP10024*	NYLOC NUT M6	2	UP TO VIN 786
43	SP10031	WASHER M6	2	UP TO VIN 786
44	104002	END FITTING G/SHIFT	1	
45	102481	SEAL	1	
46	100689	QUADRANT TOP PLATE	1	FROM VIN 4837 ONLY
47	110083	SLIDE- AUTO QUADRANT	1	FROM VIN 4837 ONLY
48	105546	OECAL PLATE	1	FROM VIN 4837 ONLY
49	110082	QUADRANT LOWER PLATE	1	FROM VIN 4837 ONLY
50	110184	GAITER	1	FROM VIN 4837 ONLY
51	SP10473	SPACER	1	FROM VIN 4837 ONLY
52	110080	SEALING PAD	1	FROM VIN 4837 ONLY

TRANSMISSION  
AUTO-SHIFT LINKAGE

SECTION  
4  
SUBSECTION  
6  
GROUP  
0



UP TO VIN 4836



FROM VIN 4837

<b>4</b>	SECTION	TRANSMISSION DRIVE AXLES
	SUBSECTION	
	GROUP	

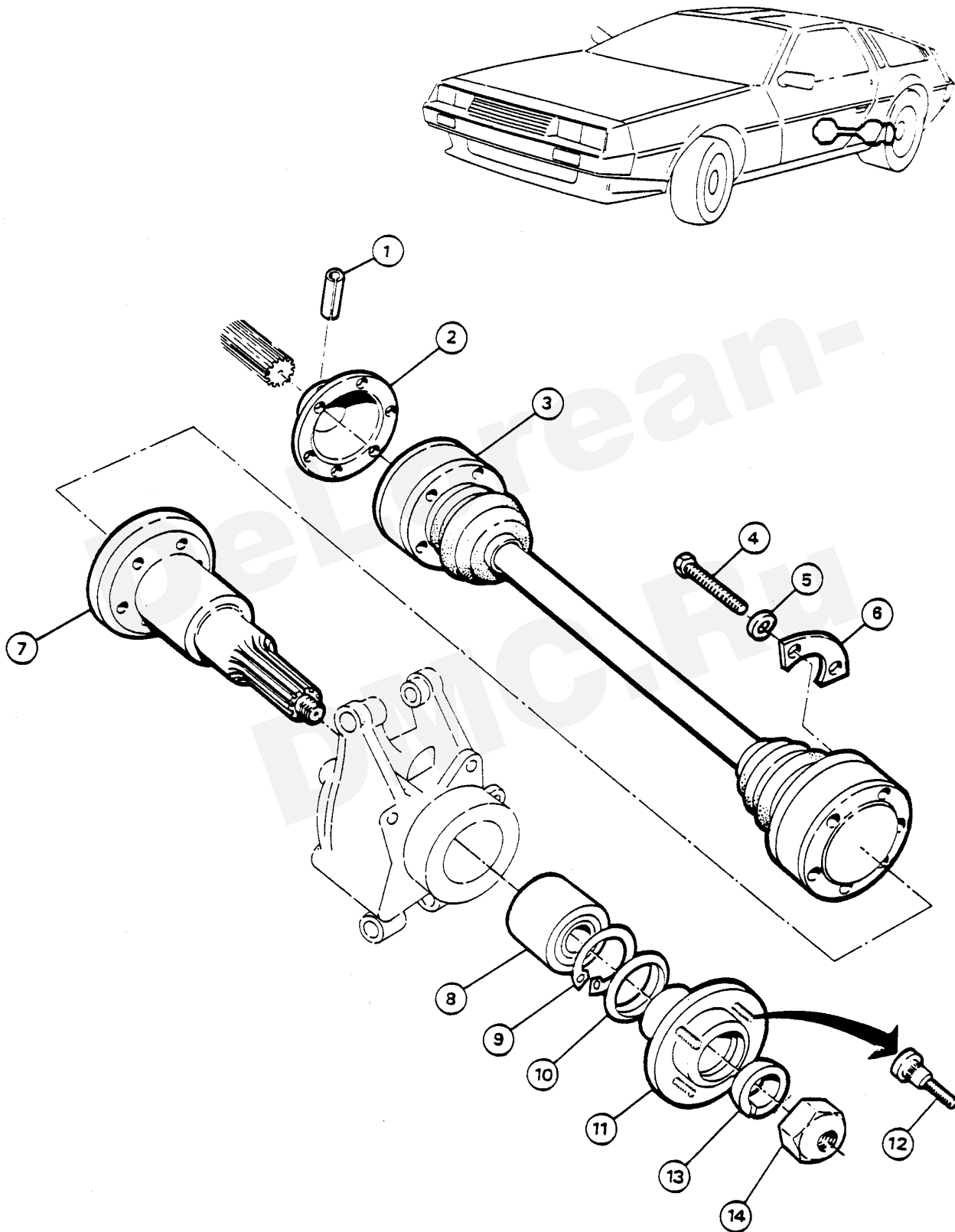
<b>7</b>	<b>0</b>
----------	----------

FIG.	PART NUMBER	DESCRIPTION	QTY	REMARKS
1	SP10090	ROLL PIN	2	
2	100171	DRIVE FLANGE	2	UP TO VIN 2679 FROM VIN 2680
	110539	DRIVE FLANGE	2	
3	100169	INTER DRIVE SHAFT	2	
4	SP10013	BOLT M10	24	
5	SP10036	SPRING WASHER M10	24	
6	100919	TWO HOLE LOCK STRIP	12	
7	108545	RR OUTBOARD D/SHAFT	2	
8	100973	REAR HUB BEARING	2	
9	SP10053	CIRCLIP	2	
10	100255	REAR HUB FLINGER	2	
lt	101040	HUB ASSY C/W STUDS	2	
12	106117	. WHEEL STUD	8	
13	101721	HUB RETENTION CONE	2	
14	108514	NUT	2	

DeLorean-DMC.Ru

TRANSMISSION  
DRIVE AXLES

SECTION  
4 7  
SUBSECTION  
0  
GROUP



4-7-0-8-24-81