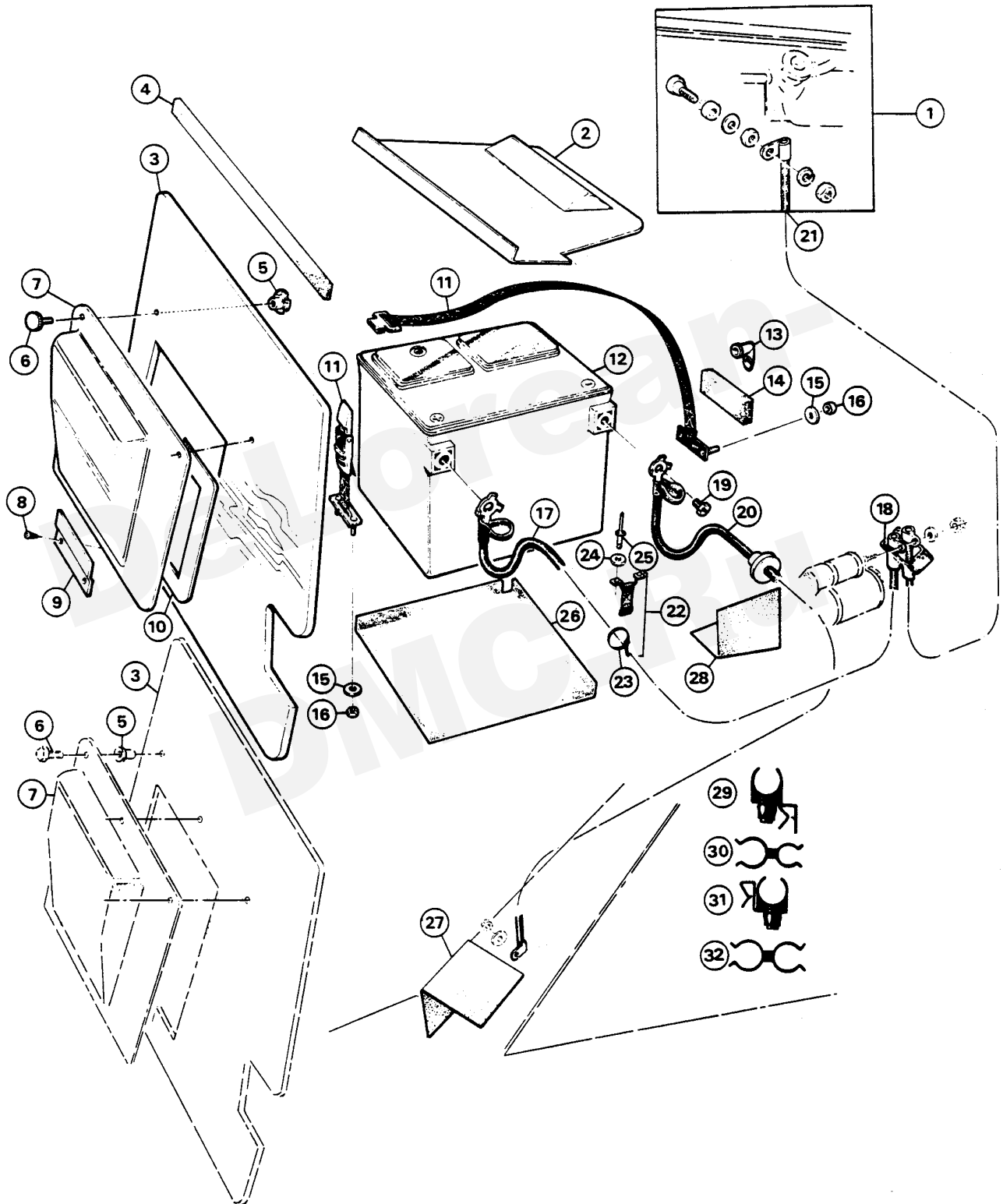


Electrical Systems

SECTION		ELECTRICAL		
SUBSECTION		BATTERY		
3	1	0	GROUP	
FIG.	PART NUMBER	DESCRIPTION	QTY	REMARKS
1	108347	POST TERMINAL	1	
2	106168	COVER, TOP	1	
3	106192	REAR BULKHEAD ASSY	1	UP TO VIN 4239
	110118	REAR BULKHEAD ASSY	1	FROM VIN 4240
4	108308	PAD	1	
5	SP10167	NUT, SPIROL M4	1	UP TO VIN 4239
	SP10850	NUT, T	3	FROM VIN 4240
6	SP10232	SCREW M4	3	UP TO VIN 4239
	SP10597	SCREW M4	3	FROM VIN 4240
7	106167	COVER	1	UP TO VIN 4239
	110117	COVER	1	FROM VIN 4240
8	SP10133	SCREW M8	2	
9	106252	BATTERY CVR LOC PLATE	1	
10	106774	GASKET	1	
11	108120	BATTERY STRAP	1	
12	106065	BATTERY	1	
13	108107	VENT	1	
14	106802	PAD	1	
15	SP10507	WA EXTRA LARGE M6	4	
16	SP10024	NUT NYLOC M6	4	
17	106263	BAT POS CABLE ASSY	1	
18	106739	. BAT POS CABLE BOOT	1	
19	105792	. SCREW	1	
20	106262	BAT NEG CABLE ASSY	1	
21	108315	JUMP START LEAD	1	
22	108316	BAT CABLE SUPT ASSY	1	
23	SP10764	. CABLE TIE	1	
24	SP10506	WASHER M3	2	
25	SP10376	POP RIVET	2	
26	106732	PAD RUBBER	1	
27	106711	PAD-RUBBING	1	
28	108211	PAD-RUBBING	1	
29	SP10400	PIPE CLIP	1	
30	SP10428	PIPE CLIP	1	
31	SP10427	PIPE CLIP	1	
32	SP10426	PIPE CLIP	1	

ELECTRICAL
BATTERY

SECTION
3
SUBSECTION
1
0 GROUP



3

SECTION

SUBSECTION

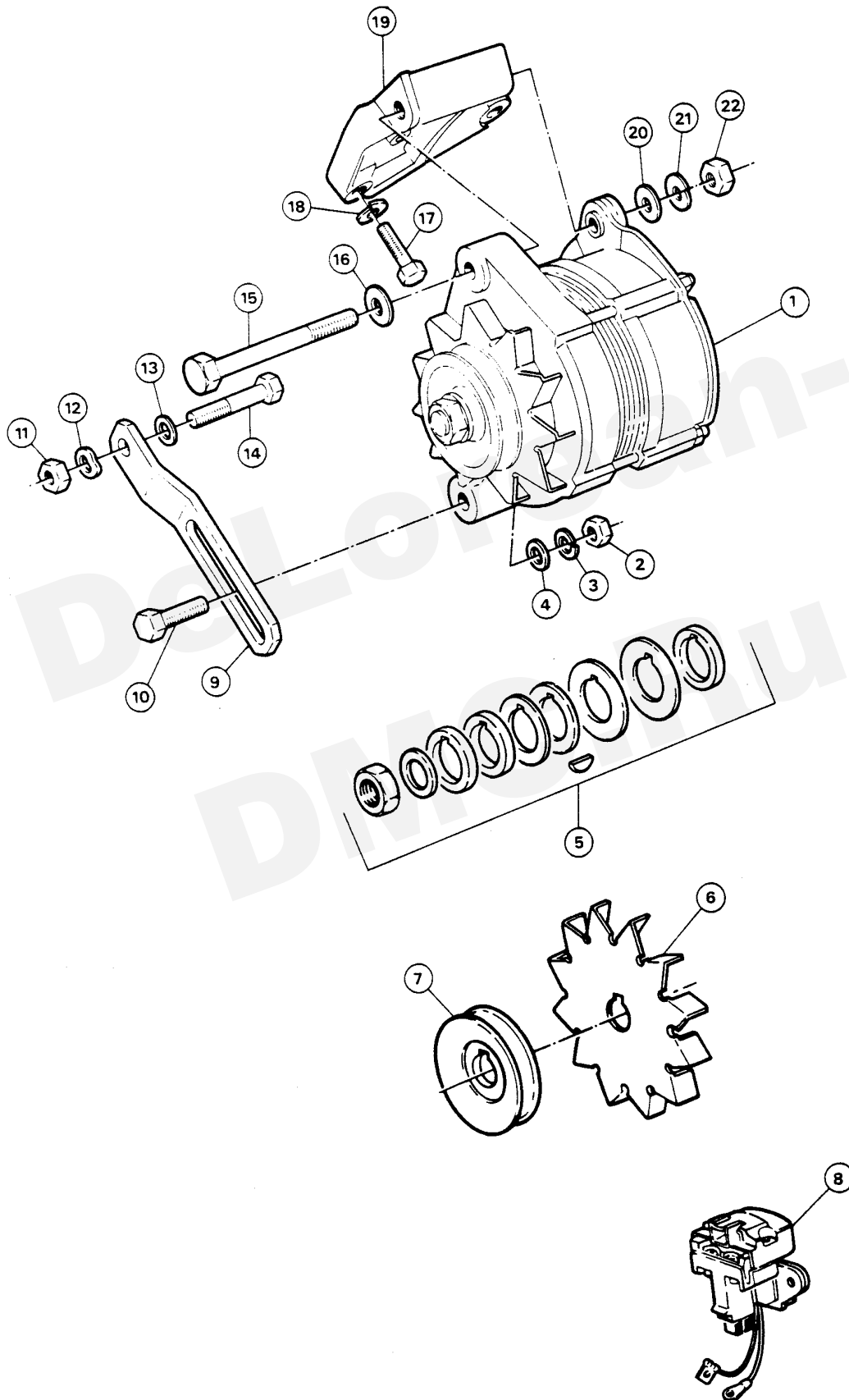
2 / 0 GROUP

ELECTRICAL
ALTERNATOR - DUCELLIER

FIG.	PART NUMBER	DESCRIPTION	QTY	REMARKS
1	102425	ALTERNATOR	1	TO VIN #4539
2	102441	NUT M7	1	
3	SP10049	LOCK WASHER	1	
4	102439	WASHER M7	1	
5	102647	SPACER SET	1	
6	102648	FAN	1	
7	102649	PULLEY	1	
3	102643	VOLTAGE REGULATOR	1	
9	102434	BELT TENS REG BRKT	1	
10	102191	SCREWM7	1	
11	102437	NUT M8	1	
12	102035	SPRING WASHER M8	1	
13	102699	WASHER M8	1	
14	102006	SCREW M8	1	
15	102429	SCREW M10	1	
16	102430	WASHER M10	1	
17	102427	SCREW M8	3	
18	102428	LOCK WASHER M8	3	
19	102426	ALTERNATOR BRACKET	1	
20	102431	WASHER M10	1	
21	102432	TOOTHED WASHER M10	1	
22	102433	NUT M10	1	
23	108560	SUPPRESSOR	1	NOT I LL

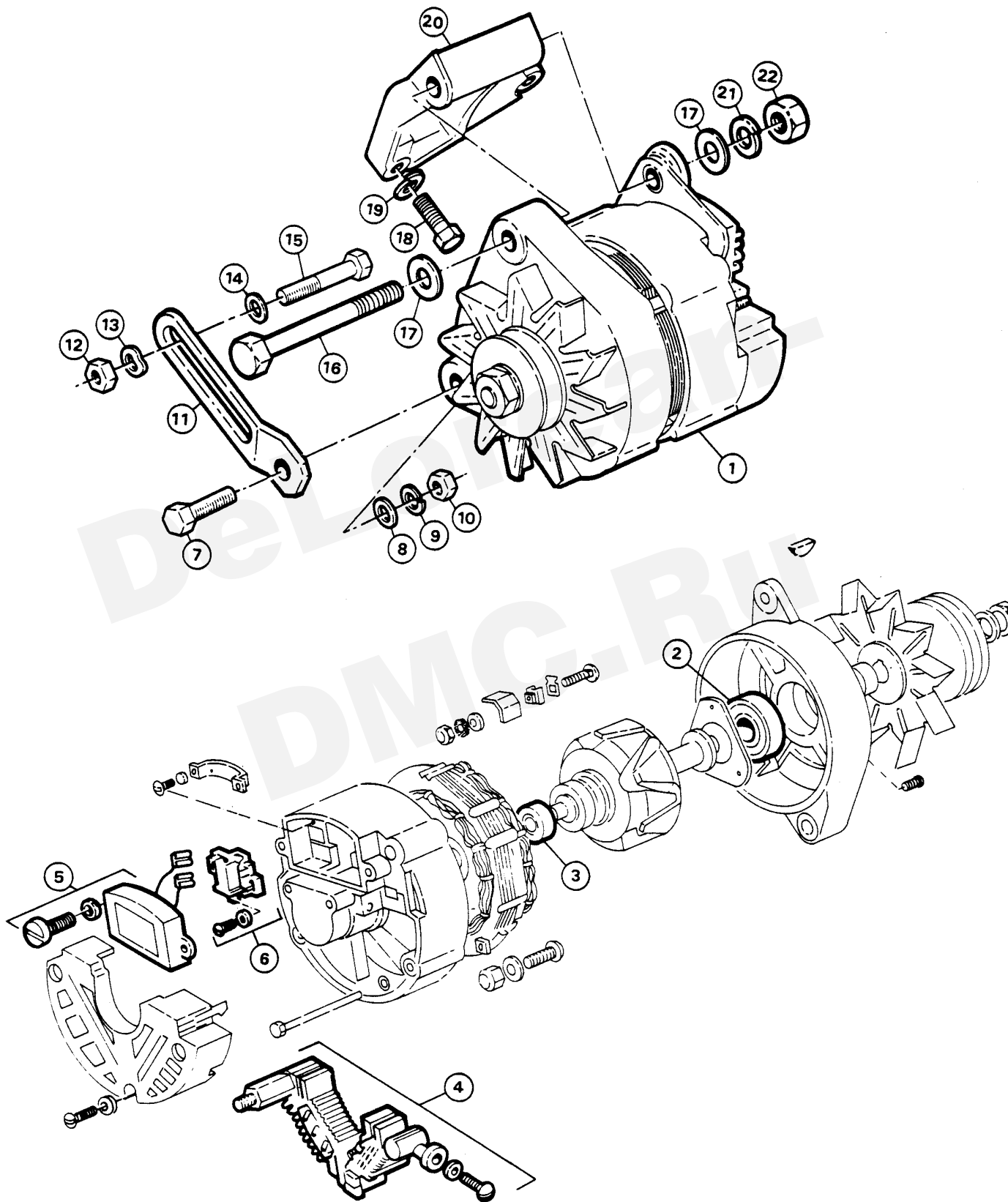
ELECTRICAL
ALTERNATOR - DUCELLIER

SECTION
3
SUBSECTION
2
GROUP
0



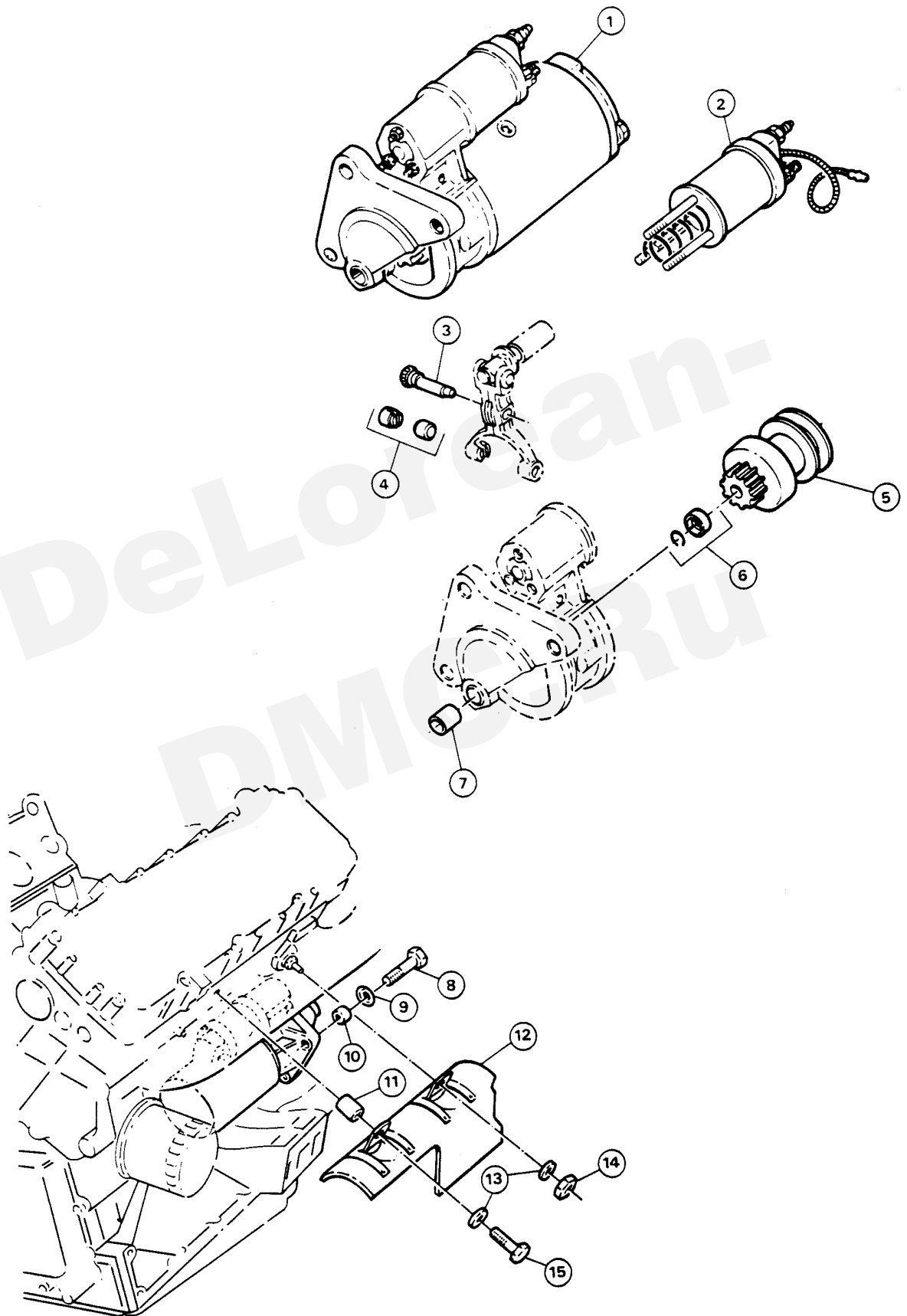
3	SECTION	ELECTRICAL ALTERNATOR/MOTOROLA
	SUBSECTION	
	2 / 0 GROUP	

FIG.	PART NUMBER	DESCRIPTION	QTY	REMARKS
320				
1	110101	ALTERNATOR	1	FROM VIN #4539
2	102839	BEARING--FRONT	1	
3	102838	BEARING--REAR	1	
4	102831	DIODE CARRIER	1	
5	102833	REGULATOR	1	
6	102832	BRUSH CARRIER	1	
7	SP10048	SCREW M7 x 30	1	
8	SP10259	WASHER M7	3	
9	SP10049	SPRING WASHER M7	1	
10	SP10790	PLAIN NUT M7	1	
11	110102	BKT_BELT TENS REG	1	
12	SP10037	PLAIN NUT M8	1	
13	SP10035	SPRING WASHER M8	1	
14	SP10032	WASHER M8	2	
15	SP10782	BOLT--M8 x 45	1	
16	SP10011	BOLT--M10 x 150	1	
17	SP10033	WASHER M10	2	
18	102427	SCREW M8	3	
19	102428	LOCK WASHER M8	3	
20	102426	ALTERNATOR BRACKET	1	
21	SP10036	SPRING WASHER M10	1	
22	SP10028	PLAIN NUT M10	1	



3	SECTION	ELECTRICAL STARTER/SOLENOID
	SUBSECTION	
	3 / 0 GROUP	

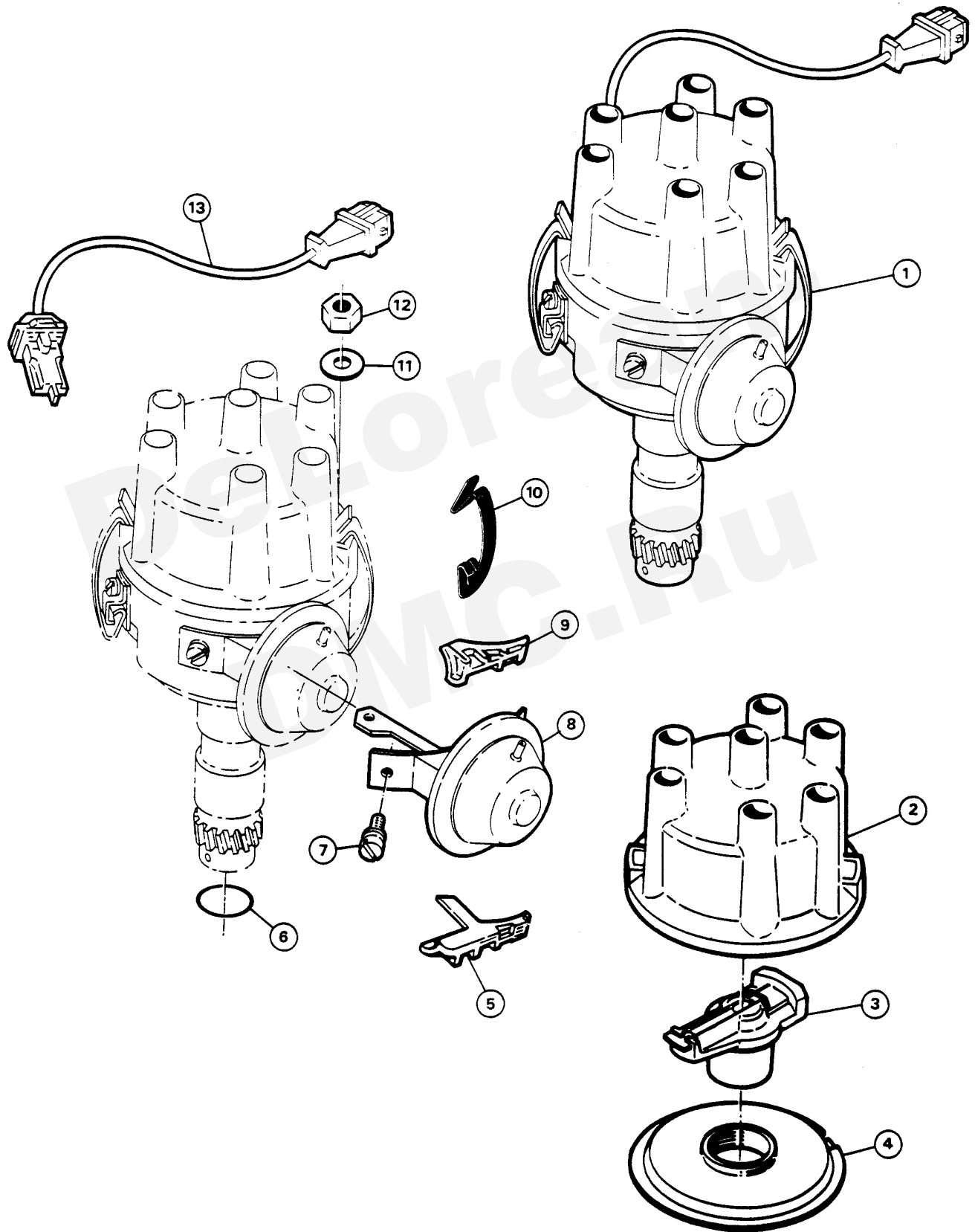
FIG.	PART NUMBER	DESCRIPTION	QTY	REMARKS
1	101044	STARTER	1	
2	102564	SOLENOID	1	
3	102664	BOLT	1	
4	102661	BUSH SET	1	
5	102652	ROLLER CLUTCH DRIVE	1	
6	102653	JUMP RING & CUP	1	
7	102663	BEARING BUSH	2	
8	101049	SCREW M8	3	
9	101050	SPRING WASHER M8	3	
10	101051	CENTERING RING	1	
11	101046	SPACER	1	
12	101045	HEATSHIELD	1	
13	SP10891	SHAKEPROOF WASHER M7	2	
14	SP10790	NUT M7	1	
15	SP10789	SCREW M7	1	



3	SECTION	ELECTRICAL DISTRIBUTOR
	SUBSECTION	
	4 / 0 GROUP	

FIG.	PART NUMBER	DESCRIPTION	QTY	REMARKS
1	102751	DISTRIBUTOR, ASSY		
2	102606	. CAP, DISTRIBUTOR		
3	102604	. ROTOR		
4	102691	. COVER		
5	102686	. SUPPORT, LOWER ADV. ARM	1	
6	102423	. 'O' RING	1	
7	102687	. SCREW, SEMS	4	
8	102684	. VACUUM ADVANCE UNIT	1	
9	102685	. SUPPORT, UPPER ADV. ARM	1	
10	102690	. CLIP, RETAINER	2	
11	102424	. WASHER M7	1	
12	102441	. NUT M7	1	
13	102688	FLY LEAD, TACHO	1	

DeLorean-DMC.Ru

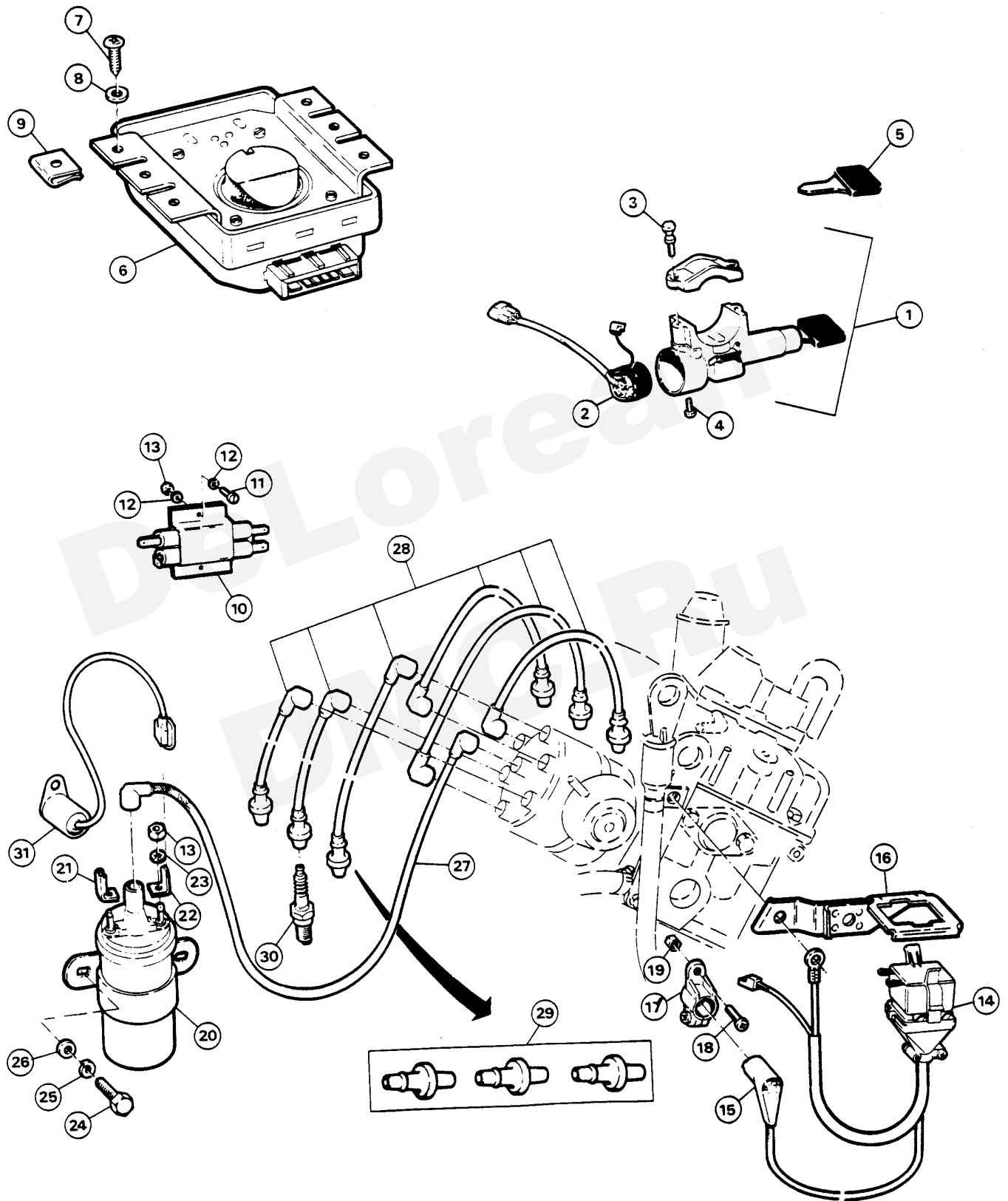


SECTION		ELECTRICAL			
SUBSECTION		IGNITION COMPONENTS			
3	4	1	GROUP		
FIG.	PART NUMBER	DESCRIPTION	QTY	REMARKS	
1	100823	STRG CLM LOCK ASSY	1	108003 COMPLETE ENGINE & DOOR	
2	106679	. IGNITION SWITCH	1		
3	109101	. SHEAR BOLT	2		
4	109102	. SWITCH RET SCREW	1		
5	109100	KEY BLANK	A/R		
6	101055	IGNITION MODULE	1		
7	SP10133	SCREW N8	4		
8	SP10111	WASHER M5	4		
9	SP10720	'U' NUT N8	4		
10	101054	RESISTANCE	1		
11	SP10440	SCREW M5 x 12	2		
12	SP10101	SPRING WASHER M5	2		
13	SP10173	NUT M5	2		
14	101065	DIAGNOSTIC OUTLET	1		
15	102694	LEAD & PICK UP	1		
16	108627	SUPPORT, DIAG OUTLET	1		
17	101067	PICK-UPSUPPORT	1		} PART OF PROTECTING PLATE } 101075 SEE 4-1-1
18	SP10453	SCREW M4	1		
19	SP10166	NYLOC NUT M4	1		
20	101052	COIL	1		
21	SP10410	FEMALE RECEIVER	1		
22	SP10409	MALE BLADE	1		
23	SP10269	TOOTHED WASHER	2		
24	SP10103	SCREW M8	2		
25	SP10035	SPRING WASHER M8	2		
26	SP10032	WASHER M8	2		
27	106907	H/T KING LEAD	1		UP TO VIN 10304
	110700	H/T KING LEAD (SCREENED)	1		FROM VIN 10305
28	102702	PLUG LEADS, SET	1		
29	102703	. SUPPRESSION KIT	2		
30	102443	SPARK PLUG			
31	108561	SUPPRESSOR, COIL	1	2.2 MICRO FARADS	

* USE SUPPORT 102695 AND SCREW 102696 IN PLACE OF 101067 UNTIL STOCK EXHAUSTED

ELECTRICAL
IGNITION COMPONENTS

SECTION
3
SUBSECTION
4
1 GROUP

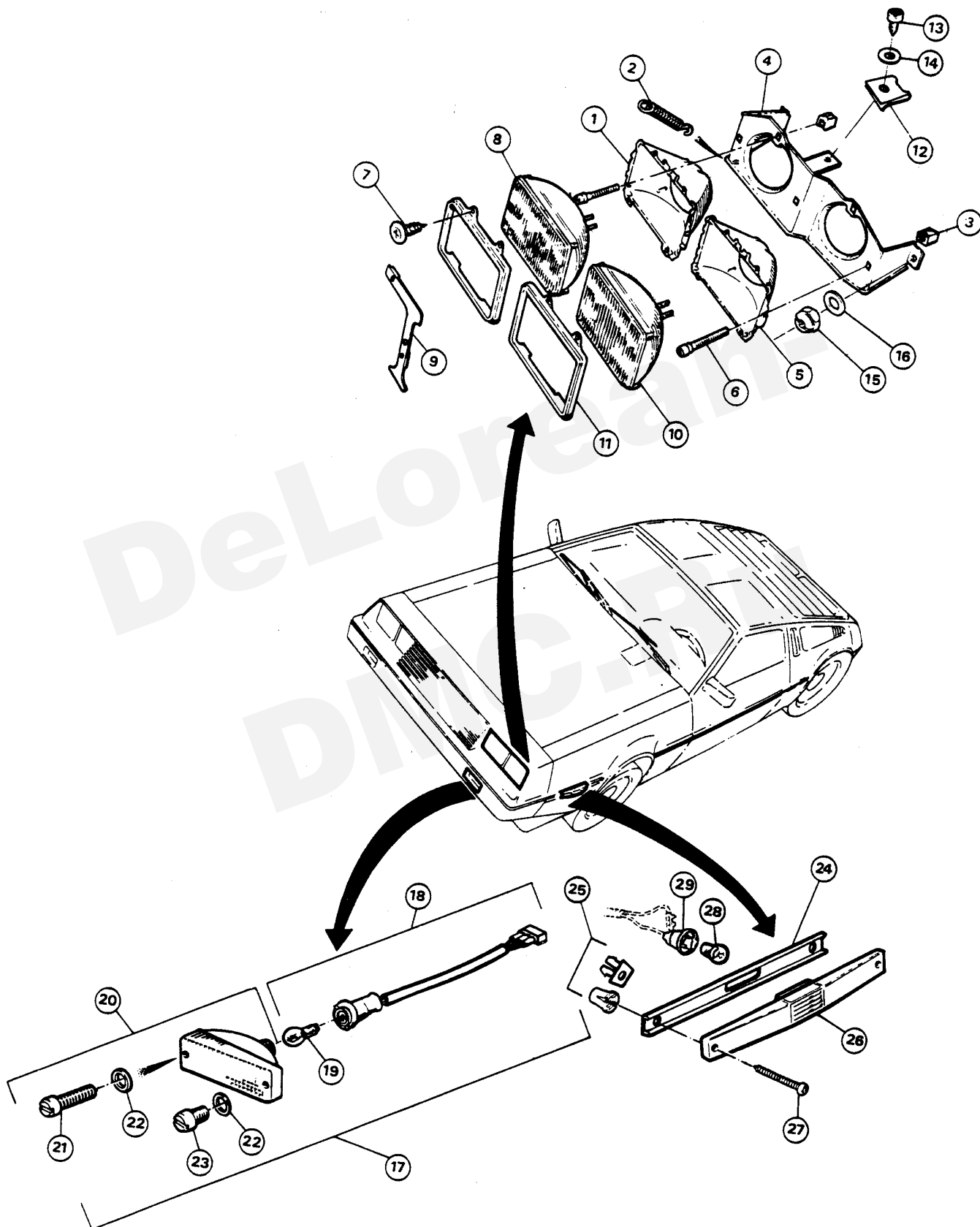


3-4-1-1-14-82

SECTION		ELECTRICAL		
SUBSECTION		LIGHTING SYSTEM - FRONT		
3	5	0	GROUP	
FIG.	PART NUMBER	DESCRIPTION	QTY	REMARKS
1	101016	BACK CAN INNER LH	1	
	101015	BACK CAN INNER RH	1	
2	101204	SPRING TENSIONER	4	
3	101203	NUT-ADJUSTING	4	
4	101369	HEADLAMP BRKT LH	1	
	101368	HEADLAMP BRKT RH	1	
5	101018	BACK CAN OUTER LH	1	
	101017	BACK CAN OUTER RH	1	
6	101202	SCREW-ADJUSTING	4	
7	SP10080	SCREW N8	16	
8	101316	SEALBEAM HIGH/LOW	2	
9	101601	HDLMP GAP FINISH LH	1	
	101602	HDLMP GAP FINISH RH	1	
10	101315	SEAL BEAM HIGH	2	
11	100634	BEZEL	4	
12	SP10169	NUT-SPIRE	2	
13	SP10080	SCREW N8	2	
14	SP10667	WASHER M5	2	
15	SP10676	NUT AERO	4	
16	SP10508	WASHER	4	
17	100784	FRT TURN/SIDE LP ASSY	2	
18	106268	. BULB HLDR HARN ASSY	2	
19	SP10065	..BULB	2	
20	108057	. LENS/HOUSING ASSY	2	
21	SP10067	..SCREW M4	2	
22	101302	..WASHER-RUBBER	4	
23	SP10066	..SCREW M4	2	
24	108138	GASKET	2	
25	SP10804	CAPTIVE NUT	4	FROM VIN 710
	SP10718	M3 SPIROL NUT	4	UP TO VIN 709
26	100788	SIDE MKR FRONT	2	
27	SP10114	SCREW N4	4	FROM VIN 710
	SP10093	SCREW M3	4	UP TO VIN 709
28	SP10306	BULB	2	PART OF HEADLAMP HARNASS (3-7-2)

ELECTRICAL
LIGHTING SYSTEM - FRONT

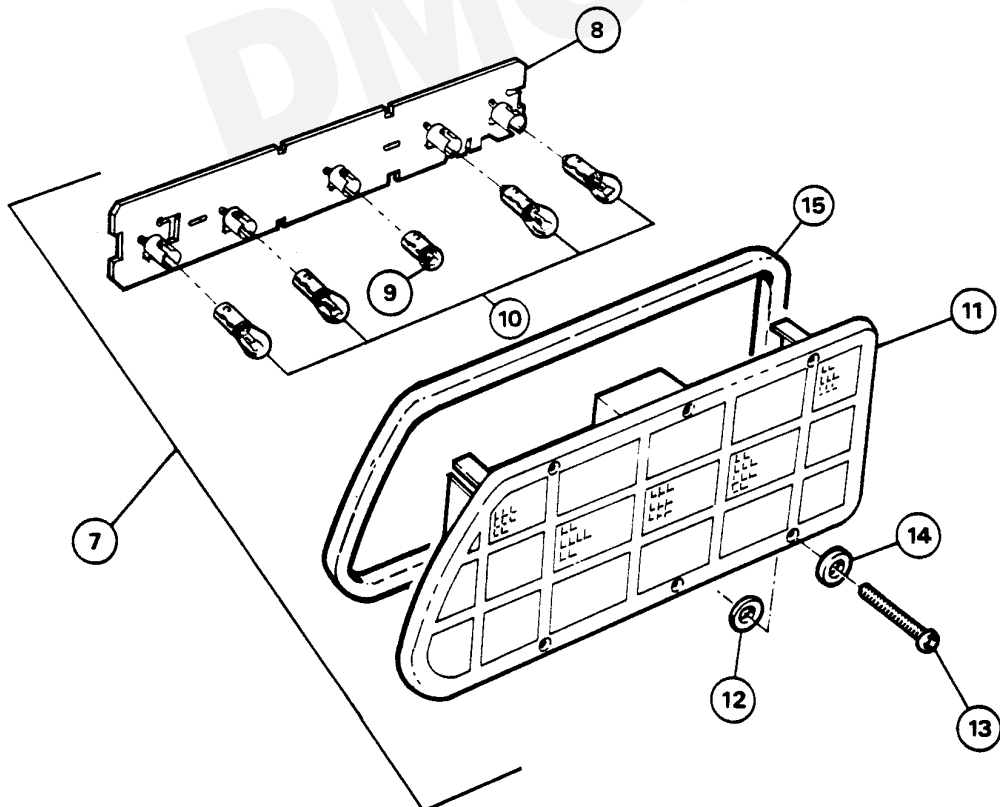
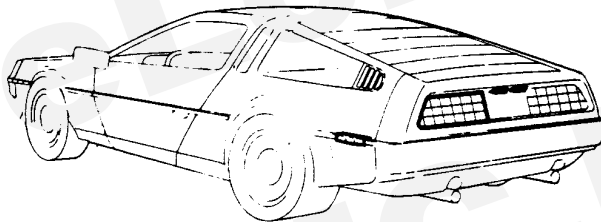
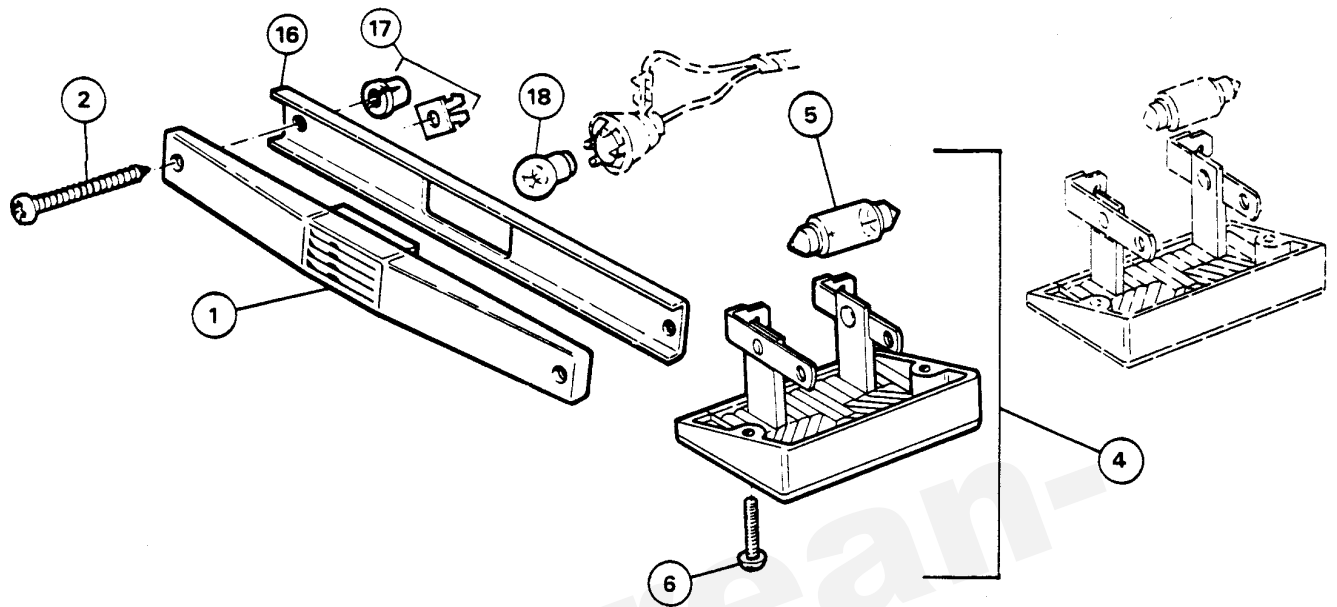
SECTION
3 5
SUBSECTION
0 GROUP



SECTION		LIGHTING SYSTEM		
SUBSECTION		REAR		
3	5	1	GROUP	
FIG.	PART NUMBER	DESCRIPTION	QTY	REMARKS
1	100790	SIDE MARKER REAR	2	
2	SP10093	SCREW M3	4	UP TO VIN 709
2	SP10114	SCREW-PAN HEAD	4	FROM VIN 710
4	100438	NUMBER PLT LAMP ASSY	2	
5	SP10305	. BU LB	2	
6	SP10193	. SCREW-PAN HEAD	4	
7	100436	RR LAMP ASSEMBLY RH	1	
	100437	RR LAMP ASSEMBLY LH	1	
8	101488	. CIRCUIT BOARD	2	
9	SP10076	. BULB 5W TYPE R19-5	2	TAIL LIGHT
10	SP10077	. BULB 21W TYPE P25-1	8	STOP/INDICATOR/REVERSING LIGHT
11	108358	. RR LAMP LENS RH	1	
	108359	. RR LAMP LENS LH	1	
12	101486	. WASHER-RUBBER	12	
13	106272	. SCREW	12	
14	101485	. WASHER	12	
15	101489	. GASKET	2	
16	108138	GASKET	2	
17	SP10804	CAPTIVE NUT	4	FROM VIN 710
	SP10718	SPIROL NUT M3	4	UP TO VIN 709
18	SP10306	BULB	2	PART OF TAIL-LIGHT HARNESS (3-7-3)

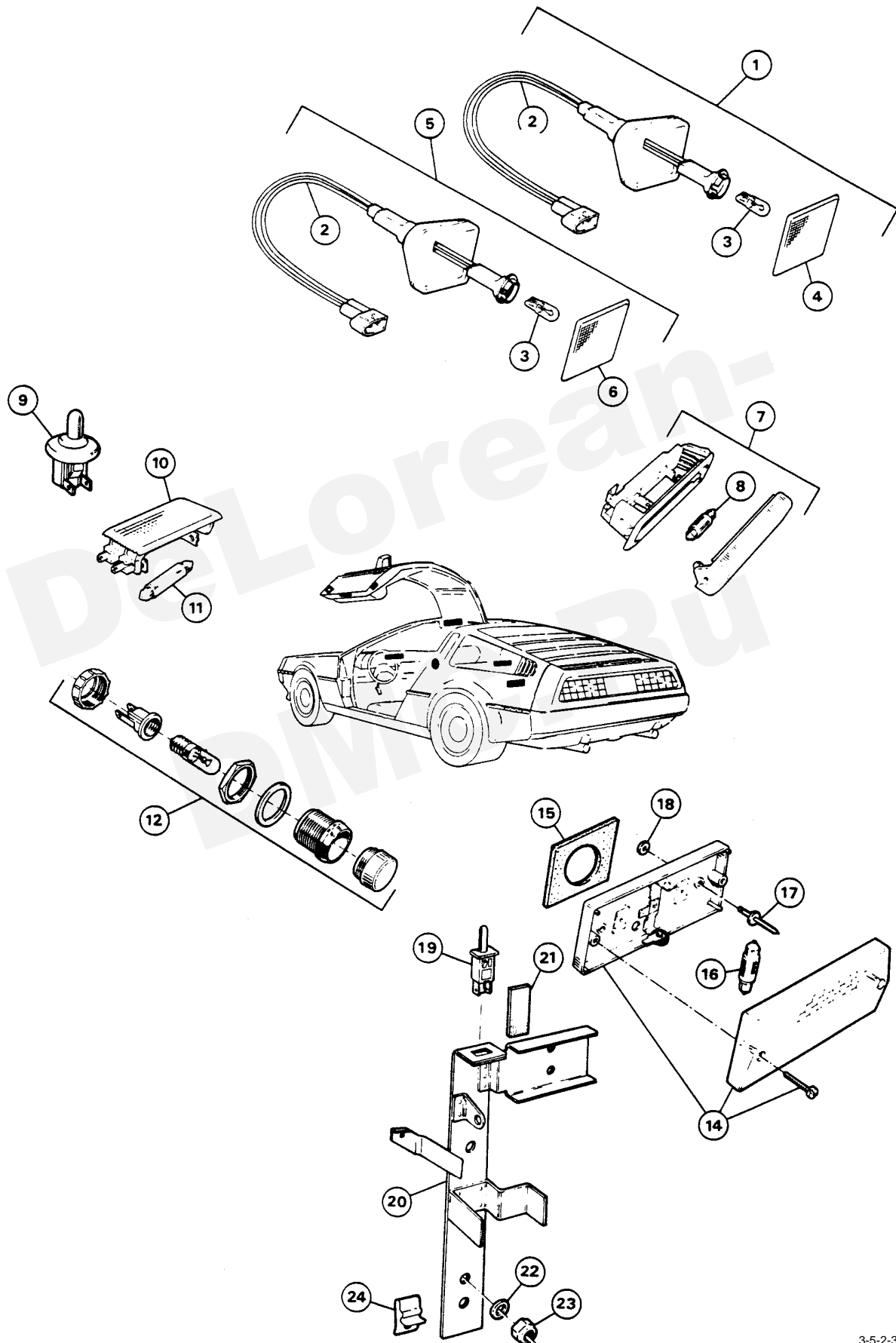
LIGHTING SYSTEM
REAR

SECTION
SUBSECTION
3 5 1 GROUP



3-5-1-12-22-81

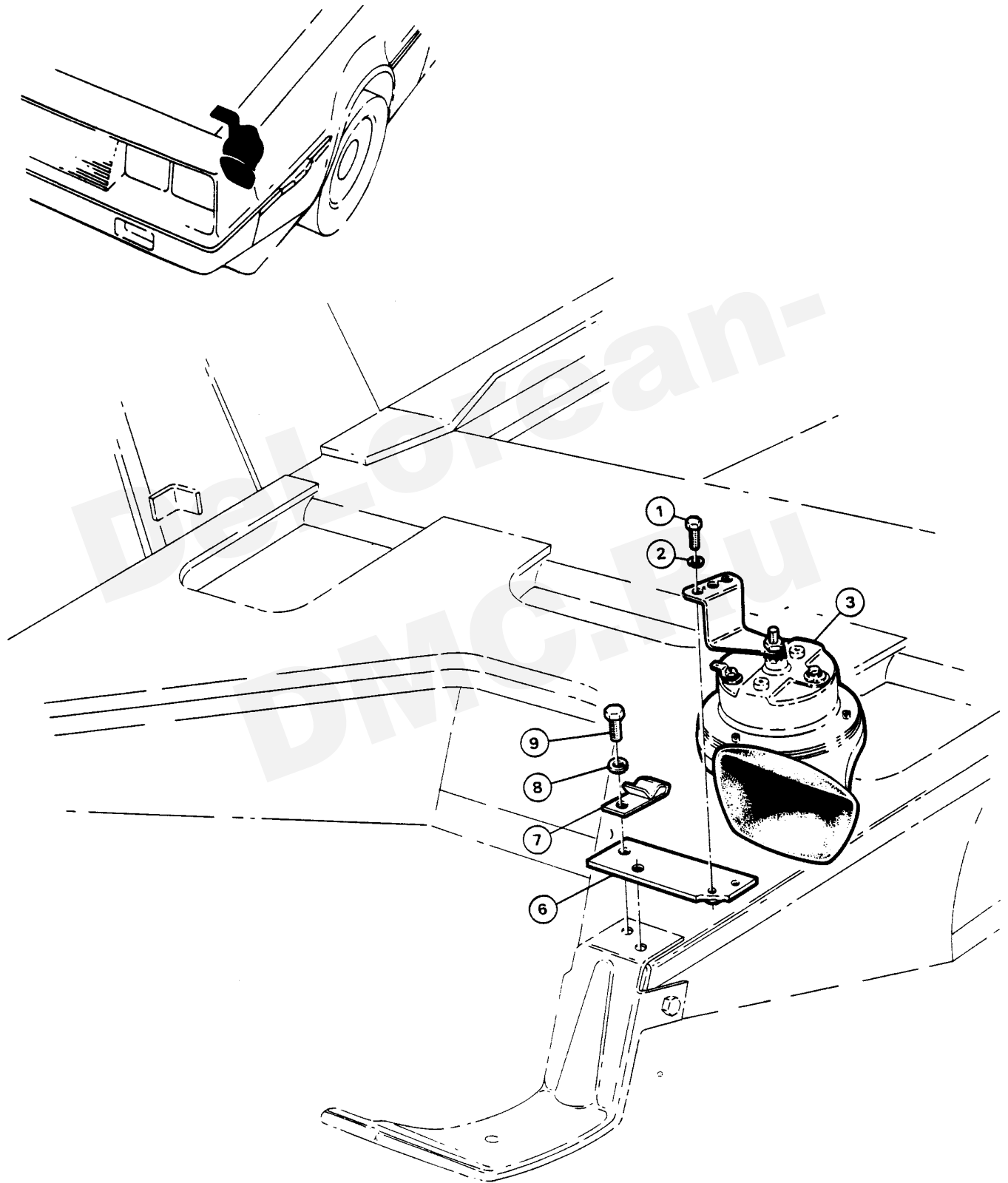
SECTION		INTERIOR/DOOR LIGHTING SYSTEM		
3	SUBSECTION			
	5 / 2 GROUP			
FIG.	PART NUMBER	DESCRIPTION	QTY	REMARKS
1	100531	RED DR LIGHT ASSY	2	
2	105081	. BODY & HARNESS	6	
3	SP10303	. BULB	6	
4	105080	. RED DR LIGHT LENS	2	
5	100530	AMBER DR LIGHT ASSY	4	
6	105079	. AMBER DR LIGHT LENS	4	
7	100540	INTR LIGHT-FRT HD	2	
8	SP10305	. BULB	2	
9	101169	LIGHT SWITCH	1	PART OF BONNET ASSY (SEE 8-4-4)
10	100440	CTSY LIGHT LUG-BAY	1	PART OF BONNET ASSY (SEE 8-4-4)
11	SP10304	BULB	1	
12	101216	GLOVE BOX LP	1	
14	100439	CTSY LIGHT-ENG BAY	1	
15	106817	GASKET	1	
16	SP10304	BULB	1	
17	SP10276	POP RIVET	2	
18	SP10253	POP RIVET WASHER	2	
19	101629	LIGHT SWITCH	1	
20	105888	LIGHT SWITCH BRKT	1	
21	SP10421	BONDING STRIP	1	
22	SP10256	WASHER M6	2	
23	SP10030	NUT M6	2	
24	SP10420	CABLE CLIP	1	



3	SECTION	ELECTRICAL HORNS
	SUBSECTION	
	6 / 0 GROUP	

FIG.	PART NUMBER	DESCRIPTION	QTY	REMARKS
1	SP10204	SCREW M6	4	
2	SP10252	WASHER SPRING M6	4	
3	100465	ASSY HORN LOW NOTE	1	
	100466	ASSY HORN HIGH NOTE	1	
6	108144	HORN MT PLATE RH	1	
	108143	HORN MT PLATE LH	1	
7	106731	CABLE CLIP	1	
8	SP10035	WASHER-SPRING M8	4	
9	SP10103	SCREW M8	4	

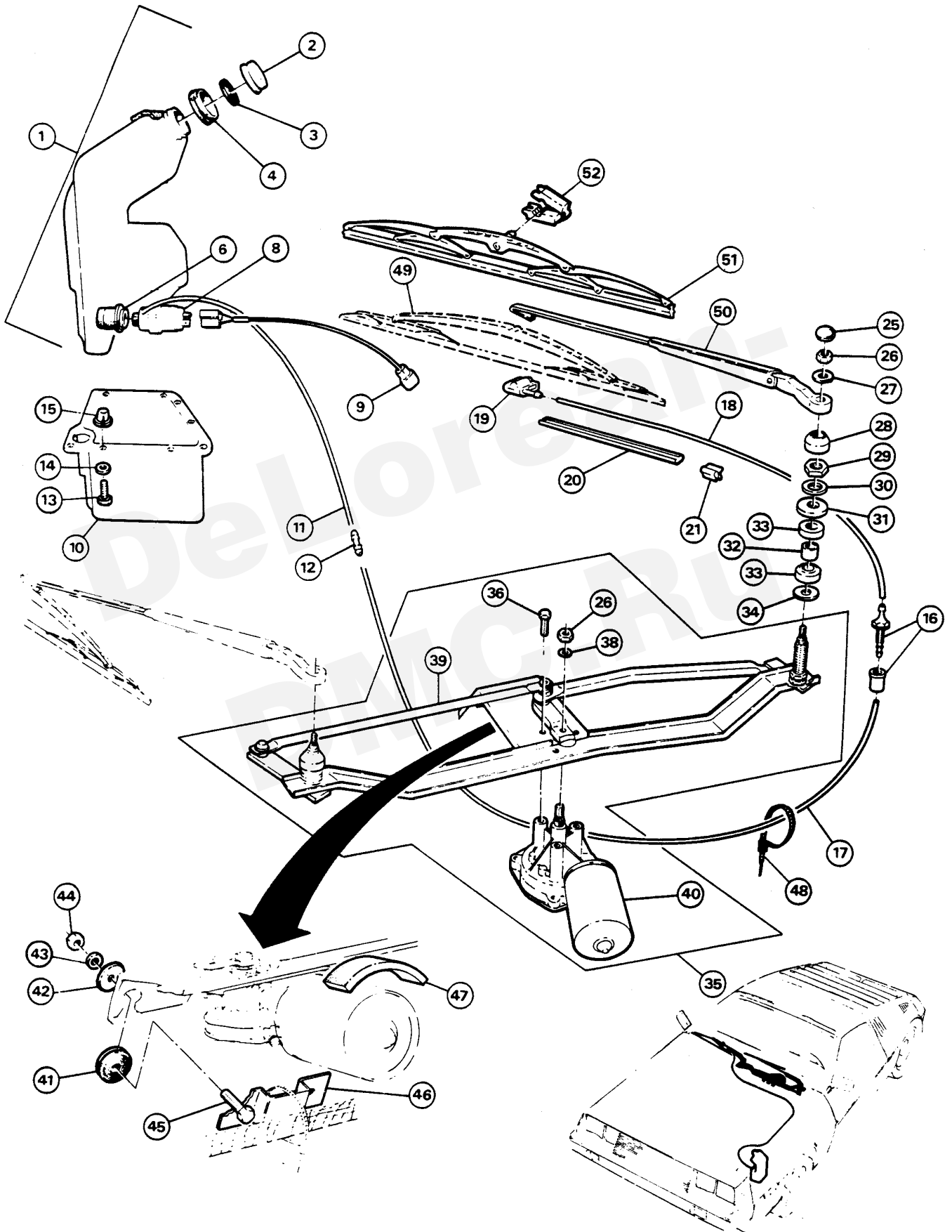
DeLorean-DMC.Ru



SECTION		ELECTRICAL		
SUBSECTION		WINDSHIELD WIPERS/WASHERS		
3	6	1	GROUP	
FIG.	PART NUMBER	DESCRIPTION	QTY	REMARKS
1	100545	WA BOTTLE & MOTOR	1	
	109094	. WASHER BOTTLE ASSY	1	
2	105954	.. CONTAINER CAP	1	
3	105955	.. DIAPHRAGM GASKET	1	
4	105957	.. FILLER NECK GROMMET	1	
6	105959	.. EXP LEAK ADPT	1	
8	101637	. 12V HEAVY DUTY MOTOR	1	
9	105958	. WSWA HARNESS	1	
10	106087	CONTAINER MT COVER	1	
11	105963	PIPE	1	
12	105960	IN-LINE CONNECTOR	1	
13	SP10100	SCREW M5	8	
14	SP10117	WASHER M5	8	
15	SP10611	RIVNUT M5	8	
16	108250	BLKH FITTING	1	
17	105964	PIPE	1	
18	105965	PIPE	1	
19	100806	WIPER ARM JET	1	
20	108035	PIPE RET EXTRUSION	1	
21	SP10759	CLIP	1	
25	105658	CAP	2	
26	105642	NUT	2	
27	105657	WASHER-SPRING	2	
28	105656	SEAL	2	
29	105647	NUT	2	
30	105655	WASHER	2	
31	105654	PLATE WASHER	2	
32	105652	BEARING SLEEVE	2	
33	105653	STOP-RUBBER	4	
34	105651	WASHER-SHIM	2	
35	100544	WPR MOTOR/LNKG ASSY	1	
38	105644	. SCREW MOUNTING	3	
38	105641	. WASHER SPRING	1	
39	109099	. LINKAGE	1	
40	105639	. WS WIPER MOTOR	1	
41	105650	. RUBBER MOUNTING	2	
42	SP10757	LARGE WASHER	2	
43	SP10031	WASHER M6	2	
44	SP10183	AERONUT M6	2	
46	SP10017	SCREW	2	
46	105559	MAIN HARNESS SUPT BRKT	1	
47	106802	PAD	2	

ELECTRICAL
WINDSHIELD WIPERS/WASHERS

SECTION
3
SUBSECTION
6
1 GROUP



3-6-1-1-15-82

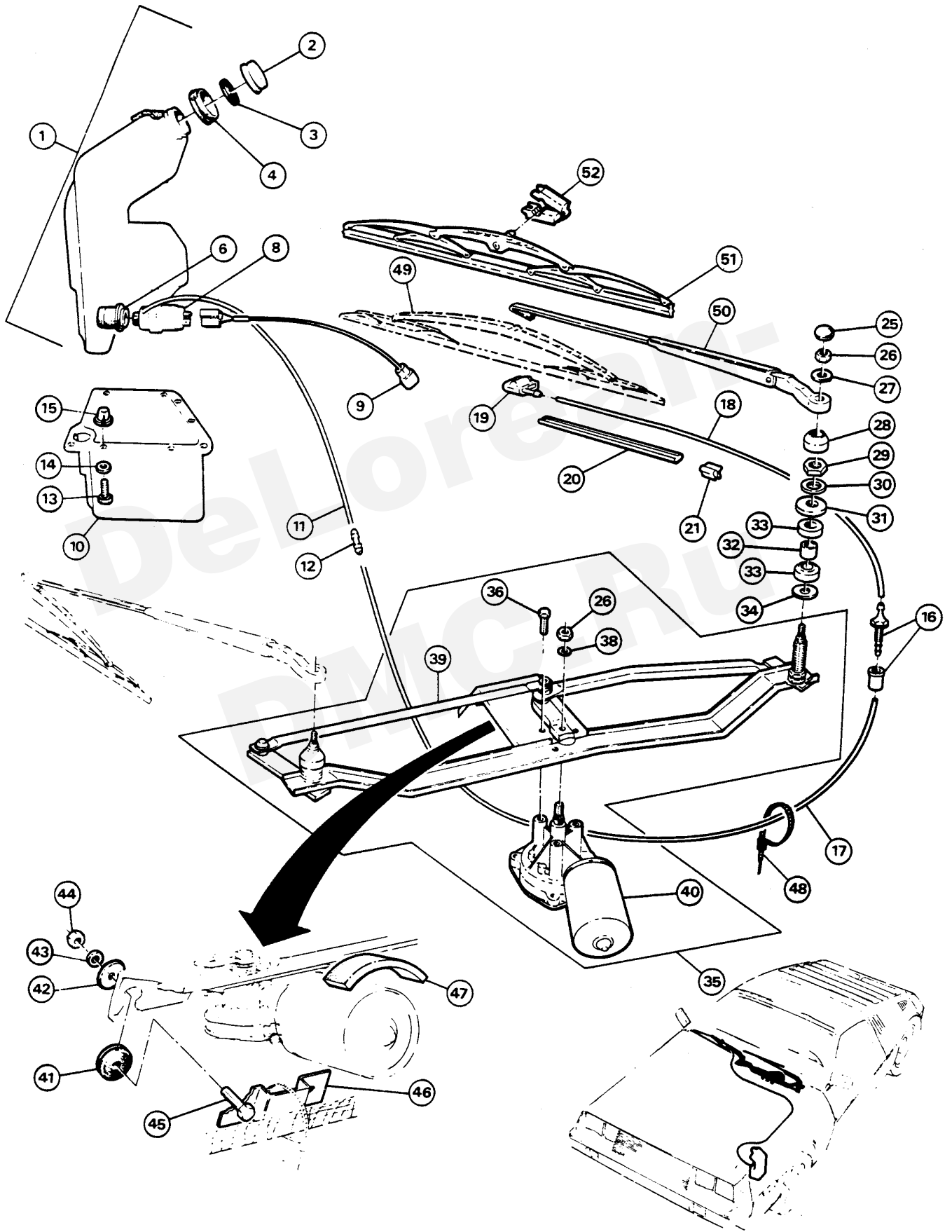
3	SECTION	ELECTRICAL WINDSHIELD WIPERS/WASHERS
	SUBSECTION	
	6 1 GROUP	

FIG.	PART NUMBER	DESCRIPTION	QTY	REMARKS
48	SP10399	'C' STRAP	2	
49	100809	WIPER BLADE	2	
50	105665	WIPER ARM	2	

DeLorean-DMC.Ru

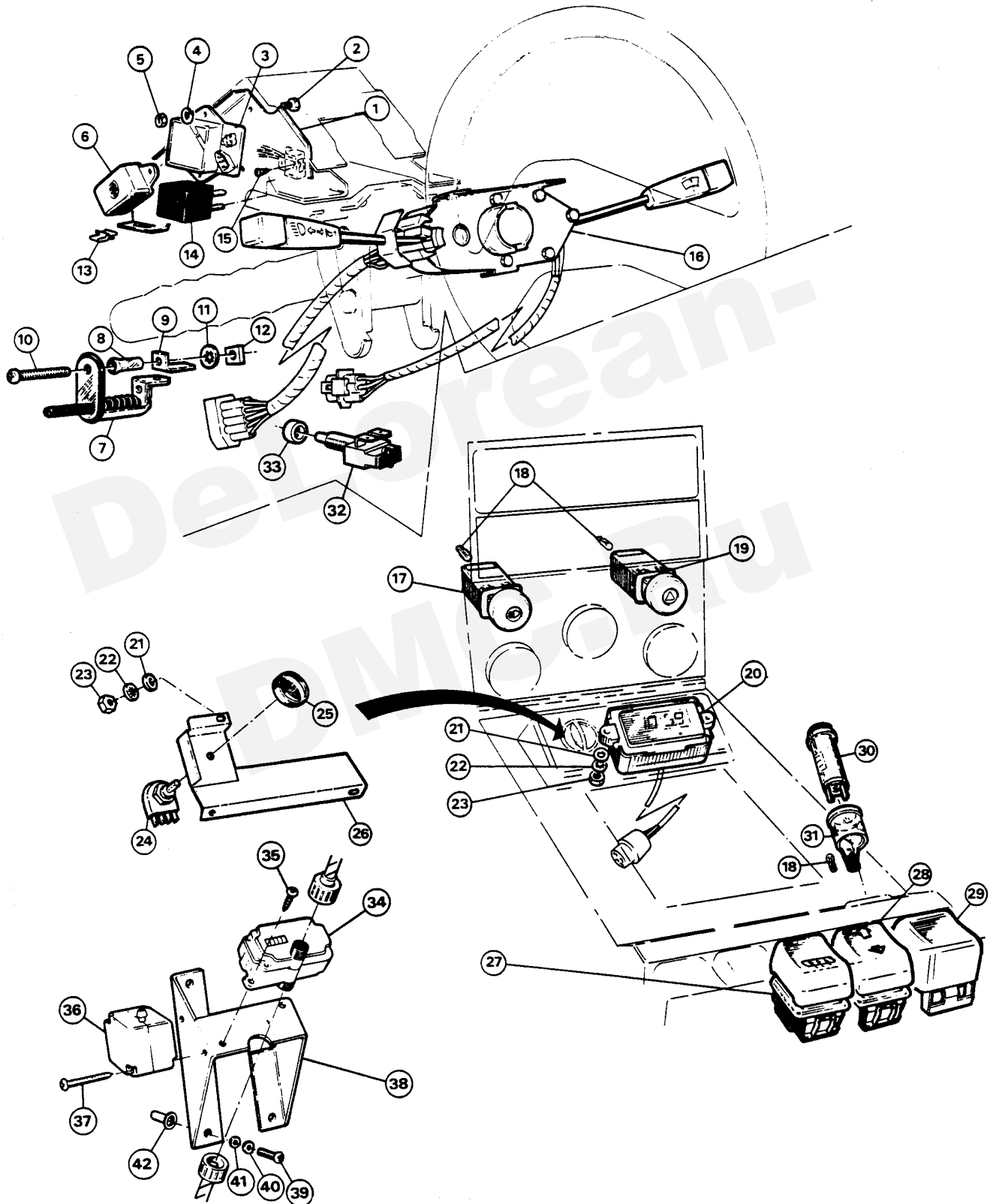
ELECTRICAL
WINDSHIELD WIPERS/WASHERS

SECTION
3
SUBSECTION
6
1 GROUP



3-6-1-1-15-82

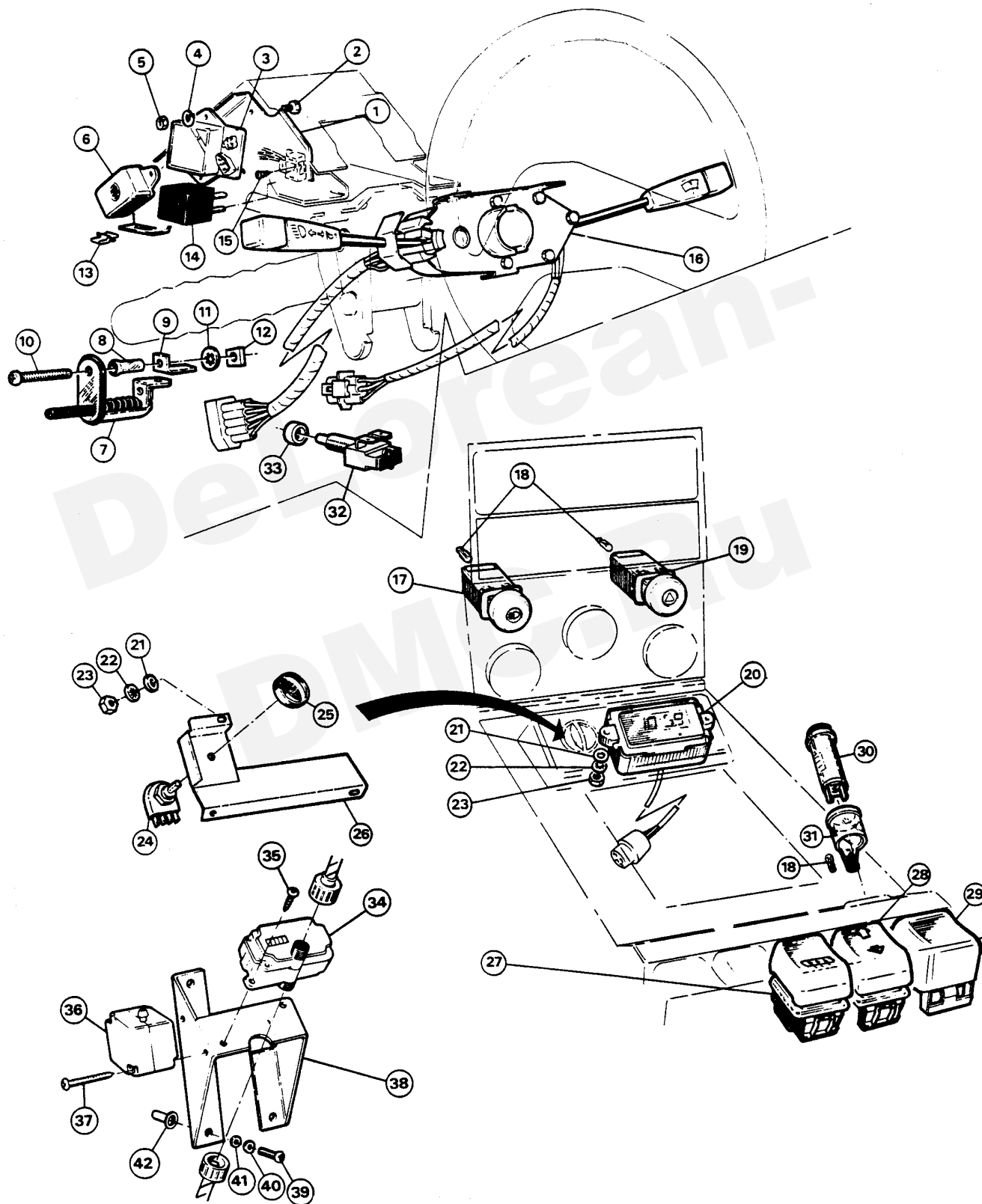
SECTION		ELECTRICAL		
SUBSECTION		COMBINATION SWITCHES ETC.		
3	6	2	GROUP	
FIG.	PART NUMBER	DESCRIPTION	QTY	REMARKS
1	105076	WIPER CON PLATE	1	
2	SP10100	SCREW M5	3	
3	105176	WIPE/WASH CON	1	
4	SP10101	WASHER-SPRING M5	3	
5	SP10173	NUT M5	3	
6	100464	SEAT BELT WRNG UNIT	1	
7	108244	CTSY LIGHT SW	1	ALSO IN 3-5-2
8	SP10739	SLEEVE	1	ALSO IN 3-5-2
9	SP10740	TERMINAL	1	ALSO IN 3-5-2
10	SP10737	SCREW M3	1	ALSO IN 3-5-2
11	SP10736	ISW M3	1	ALSO IN 3-5-2
12	SP10738	PRESS NUT M3	1	ALSO IN 3-5-2
13	SP10411	EDGE CLIP	2	
14	100708	FLASHER/HAZARD U	1	
15	SP10136	SCREW N6	1	
16	100952	DI & WPR SWITCH	1	
17	108388	LIGHTS MASTER SWITCH	1	
18	SP10301	. BULB	1	
19	105660	HAZ WRNG SWITCH	1	
18	SP10301	. BULB	1	
20	101581	CLOCK	1	UP TO VIN 6158
21	SP10251	. WASHER M4	2	UP TO VIN 6158
22	SP10266	. ISW M4	2	UP TO VIN 6158
23	SP10162	. NUT M4	2	UP TO VIN 6158
24	100814	RHEOSTAT	1	
25	106775	RHEOSTAT CON KNOB	1	
26	106319	RHEOSTAT BRACKET	1	
21	SP10251	WASHER M4	3	
22	SP10266	ISW M4	3	
23	SP10162	NUT M4	3	
27	101638	HEATED RR WDO SW	1	
28	101177	WDO LIFT SWITCH	2	
29	105610	DUMMY SWITCH	2	
30	108288	CIGAR LIGHTER	1	
31	108501	ILLUMINATED RING	1	
18	SP10301	. BULB	1	
32	100820	STOP LAMP MICROSWITCH	1	
33	SP10783	SPACER	1	
34	101606	SERVICE COUNTER	1	
35	SP10441	SCREW N10	2	
36	100815	INERTIA SWITCH	1	
37	SP10442	SCREW N10	2	
38	106767	MOUNTING BRACKET	1	
39	SP10697	SCREW M6	2	



3	SECTION	ELECTRICAL COMBINATION SWITCHES ETC.
	SUBSECTION	
	6 / 2 GROUP	

FIG.	PART NUMBER	DESCRIPTION	QTY	REMARKS
40	SP10031	WASHER M6	2	
41	SP10252	WASHER-SPRING M6	2	
42	SP10678	RIVNUT M6	2	

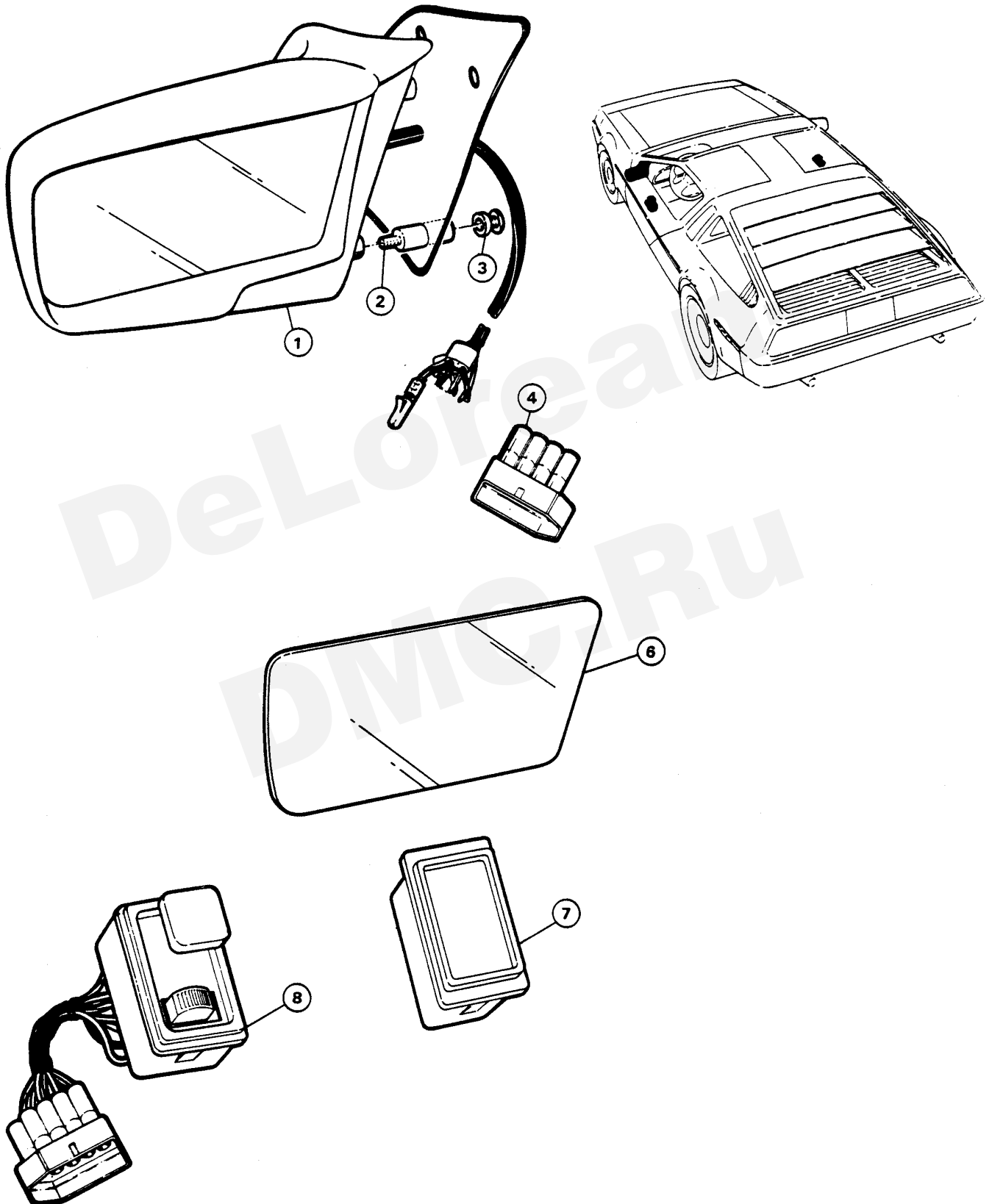
DeLorean-DMC.Ru



3	SECTION	ELECTRICAL ELECTRICAL MIRRORS
	SUBSECTION	
	6 / 3 GROUP	

FIG.	PART NUMBER	DESCRIPTION	QTY	REMARKS
1	100586	REAR VIEW MIRROR RH	1	UP TO VIN 5929
	110418	REAR VIEW MIRROR RH	1	FROM VIN 5930
	100587	REAR VIEW MIRROR LH	1	UP TO VIN 5929
	110419	REAR VIEW MIRROR LH	1	FROM VIN 5930
2		SPACER	4	UP TO VIN 5929
3	SP10455	SEMS SCREW M6	6	
4	109147	CONNECTOR BLOCK	2	
6		MIRROR GLASS RH	1	UP TO VIN 5929
		MIRROR GLASS RH	1	FROM VIN 5930
		MIRROR GLASS LH	1	UP TO VIN 5929
		MIRROR GLASS LH	1	UP TO VIN 5930
7	106249	MIRROR DUMMY SWITCH	1	
8	105085	MIRROR SW ADJUSTER	1	

DeLorean-DMC.Ru



3	SECTION	ELECTRICAL POWER DOOR LOCKS
	SUBSECTION	
	6 4 GROUP	

FIG.	PART NUMBER	DESCRIPTION	QTY	REMARKS

DeLorean-DMC.Ru

ELECTRICAL
POWER DOOR LOCKS

3	SECTION
	SUBSECTION
6	4 GROUP

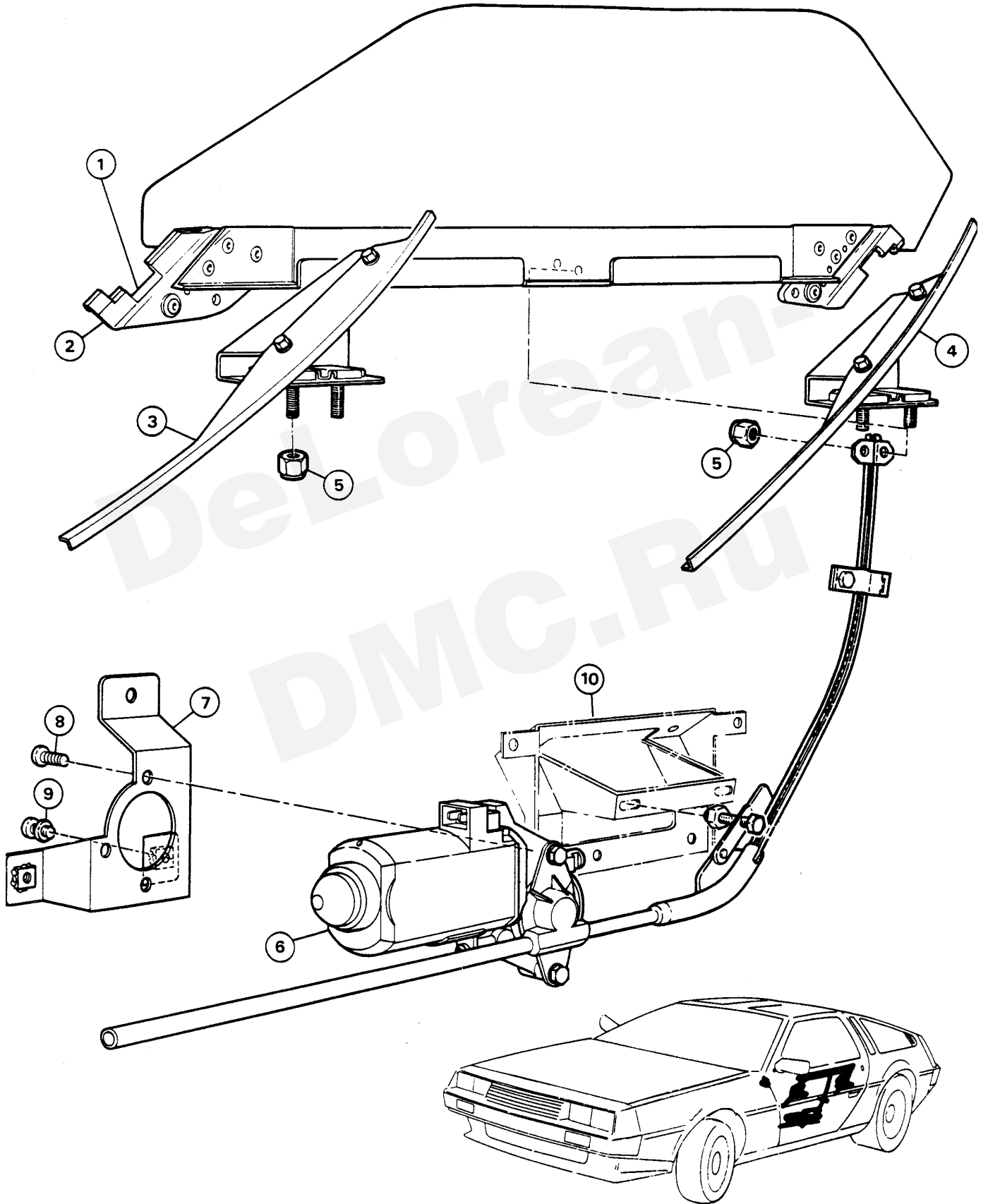
DeLorean-
DMC.Ru

3-6-4-?-?-?

3	SECTION	ELECTRICAL POWER WINDOWS
	SUBSECTION	
	6 / 5 GROUP	

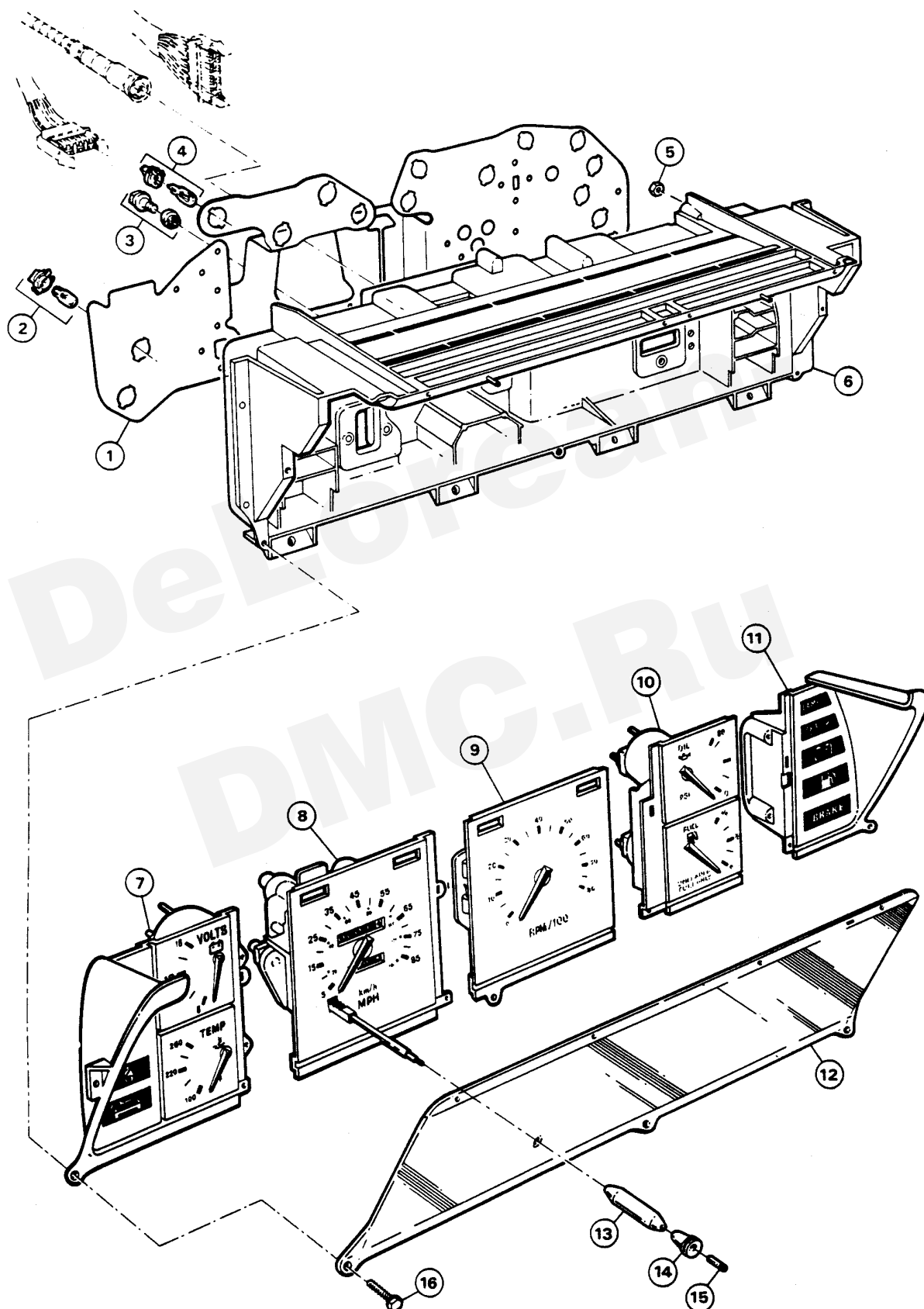
FIG.	PART NUMBER	DESCRIPTION	QTY	REMARKS
1	106207	GLASS/CARRIER ASSY LH	1	
	106208	GLASS/CARRIER ASSY RH	1	
3	105935	GUIDE FRONT LH	1	
	105936	GUIDE FRONT RH	1	
4	105937	GUIDE REAR LH	1	
	105938	GUIDE REAR RH	1	
5	SP10183	AERONUT M6	12	
6	110072	LIFT MOTOR/TUBE ASSY RH	1	
	110073	LIFT MOTOR/TUBE ASSY LH	1	
7	108306	WINDOW MOTOR BRKT RH	1	
	108307	WINDOW MOTOR BRKT	1	
8	SP10463	SCREW M6	6	
9	SP10455	SEMS SCREW	8	
10	106036	HANDLE SUPT BRKT RH	1	SEE 8-4-1
	106037	HANDLE SUPT BRKT LH	1	SEE 8-4-1

DeLorean-DMC.Ru



3	SECTION	ELECTRICAL INSTRUMENT CLUSTER
	SUBSECTION	
	6 GROUP	

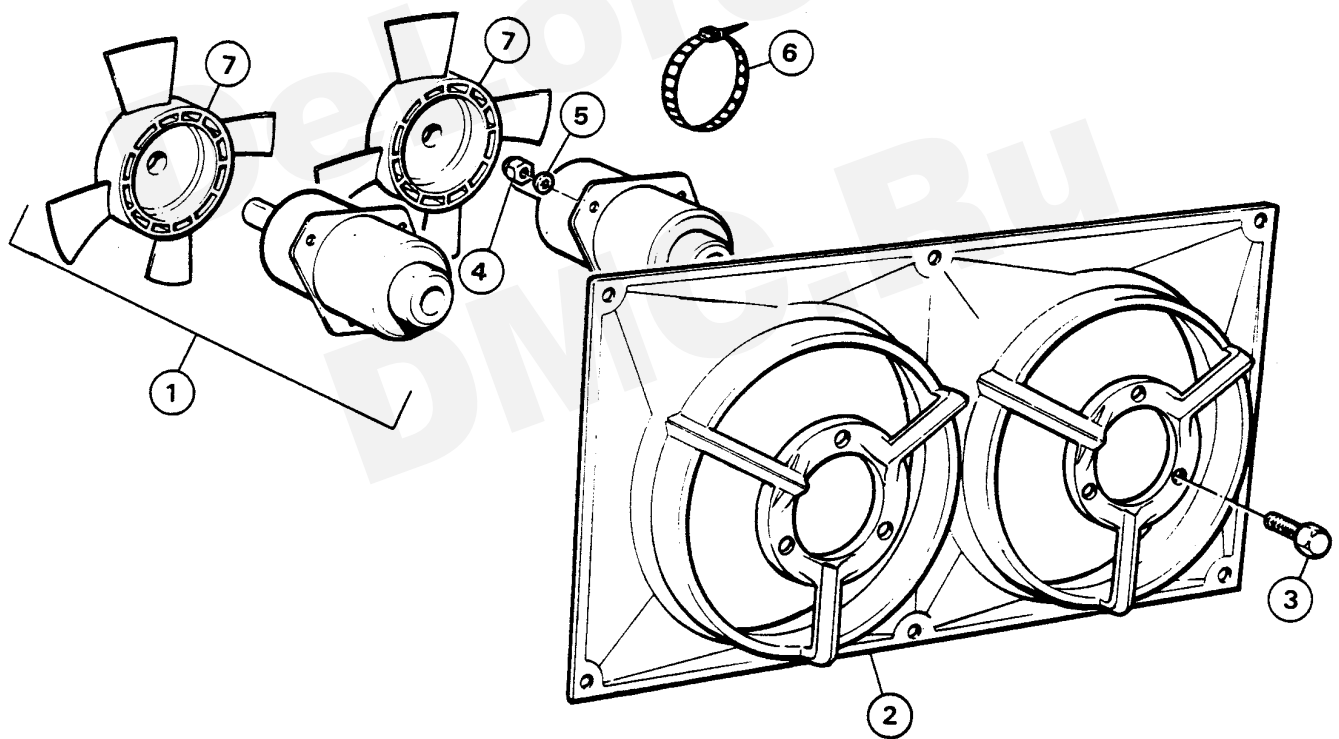
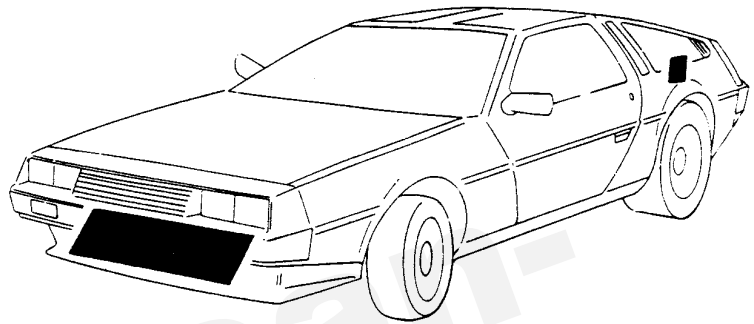
FIG.	PART NUMBER	DESCRIPTION	QTY	REMARKS
	100548	INSTRUMENT CLUSTER	1	
1	105851	PRINTED CIRCUIT	1	
2	105859	LAMP/SOCKET	11	
3	105867	SCREW/BUSH	2	
4	105874	LAMP/SOCKET ASSY	5	
5	105871	N UT	21	
6	105849	CASE	1	
7	105870	GA/TT V-TEMP	1	
8	105862	SPEEDOMETER	1	
9	105868	TACHOMETER	1	
10	105869	FUEL/OIL GAGE	1	
11	105854	WARNING LIGHT	1	
12	105848	LENS	1	
13	105855	SPACER-KNOB	1	
14	105865	KNOB RESET	1	
15	105866	NUT	1	
16	105873	SCREW	13	



3	SECTION	ELECTRICAL COOLING FANS
	SUBSECTION	
	6 / 7 GROUP	

FIG.	PART NUMBER	DESCRIPTION	QTY	REMARKS
1	100415	COOLING FAN/MOTOR	2	
2	100487	FAN COWLING	1	
3	SP10009	SCREW M8	6	
4	SP10025	NUT M8 NYLOC	6	
5	SP10047	WASHER M8, SHAKEPROOF	2	
6	SP10399	'C' STRAP BAND CLAMP	2	SECURES HARNESS TO FAN MOTOR
7	101633	FAN BLADE	2	

DeLorean-DMC.Ru



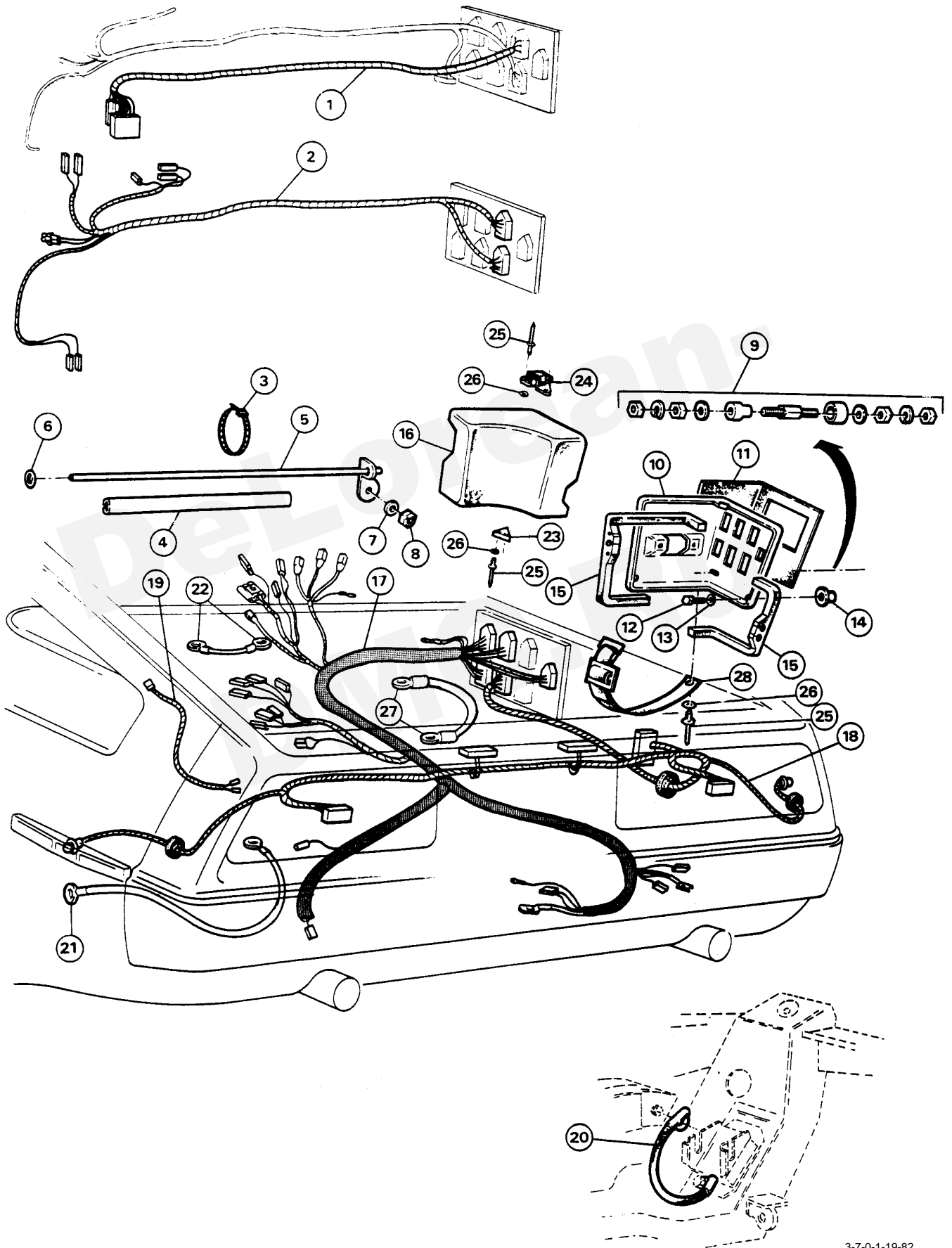
3 SECTION
7 SUBSECTION
0 GROUP

ELECTRICAL
 REAR HARNESS

FIG.	PART NUMBER	DESCRIPTION	QTY	REMARKS
1	105469	GEARBOX JUMPER	1	AUTOMATIC ONLY
2	101409	RR HARNESS ENG BAY	1	
3	SP10399	'C' STRAP	3	
4	106170	ZIP-ON TUBING	1	
5	106828	SUPPORT BAR	1	
6	SP10722	LOCKRING	1	
7	SP10256	WASHER M6	1	
8	SP10030	NYLOC NUT M6	1	
9	106288	BINDING POST	1	
10	108263	ENG BAY BLKH PLATE	1	
11	105970	BACK SEAL	1	
12	SP10100	SCREW M5	6	
13		WASHER M5	6	
14	SP10659	RIVNUT M5	6	
15	106039	FRONT SEAL	1	
16	105905	COVER	1	UP TO VIN 11672
	110227	COVER	1	FROM VIN 11673
17	100534	ENGINE HARNESS	1	UP TO VIN 5349
	110185	ENGINE HARNESS	1	FROM VIN 5350
18	101992	TAIL-LIGHT HARNESS	1	
19	106116	REVERSE HARNESS	1	
20	105162	GROUND BRAID	1	
21	108568	RR WING GROUND BRAID	1	
22	108571	ENG RESISTANCE BKT	1	
23	106188	LATCH COVER	1	UP TO VIN 11672
24	SP10374	DZUS FASTENER COVER	1	UP TO VIN 11673
25	SP10130	POPRIVET	4	UP TO VIN 11672
			1	FROM VIN 11673
26	SP10253	POPRIVET WASHER	4	UP TO VIN 11672
			1	FROM VIN 11673
27	110093	LEAD	1	
28	108997	STRAP COVER RET	1	FROM VIN 11673

ELECTRICAL
REAR HARNESS

SECTION
3 7 0
SUBSECTION
GROUP



3-7-0-1-19-82

3

SECTION

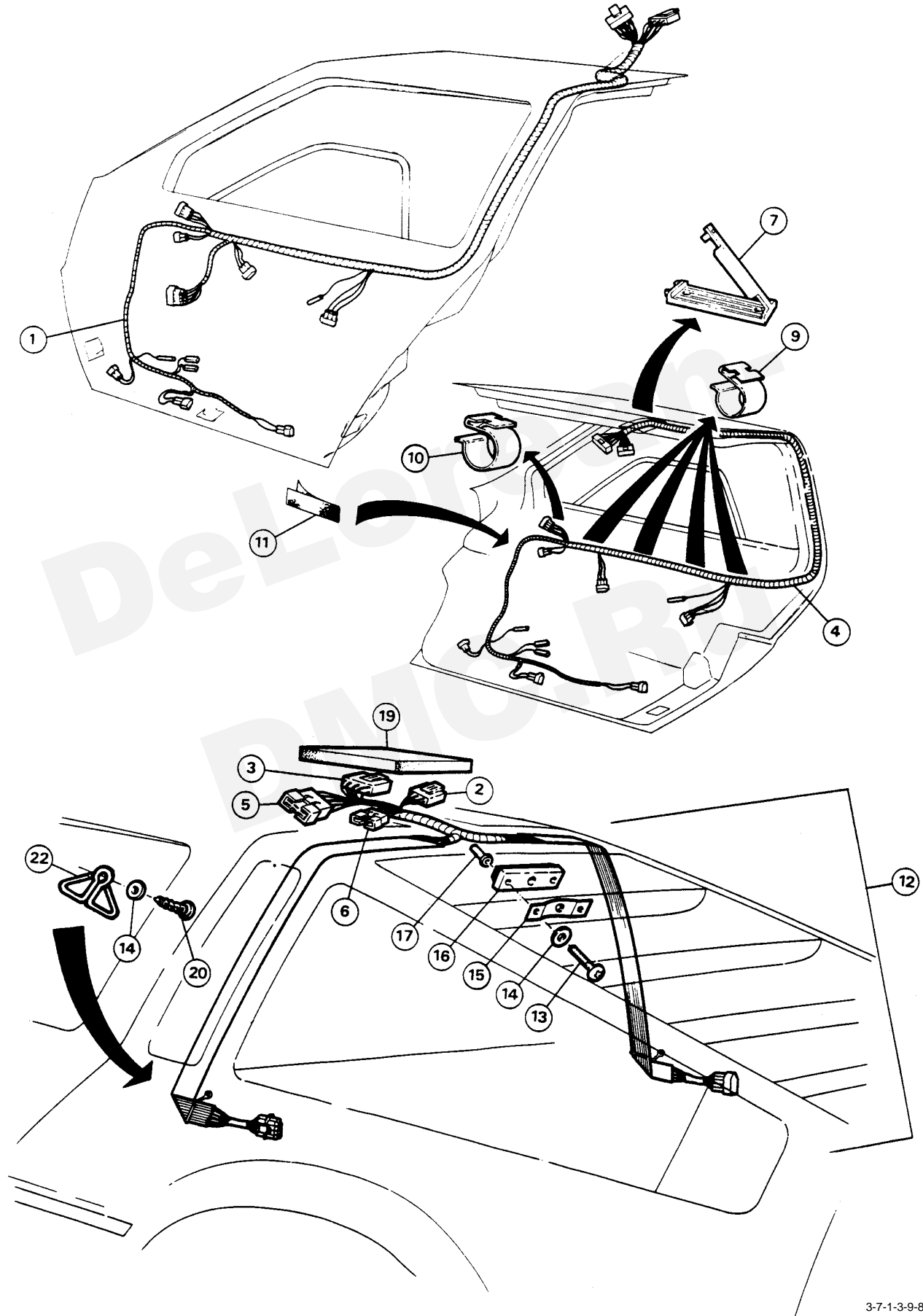
SUBSECTION

7 / **1** GROUPELECTRICAL
ROOF HARNESS

FIG.	PART NUMBER	DESCRIPTION	QTY	REMARKS
1	101407	DOOR HARNESS LH	1	
2	108497	. RECEPTACLE 8-WAY	2	
3	108499	. RECEPTACLE 10-WAY	2	
4	101408	DOOR HARNESS RH	1	
5	108500	. BLADE 10-WAY	2	
6	108498	. BLADE 8-WAY	2	
7	SP10741	CABLE CLIP	2	
9	SP10728	EDGE CLIP	8	
10	SP10379	EDGE CLIP	2	
11	SP10421	BONDING STRIP	22	
12	101990	'B' POST HARNESS	1	
13	SP10237	SCREW M5	2	
14	SP10111	WASHER M5	4	
15	108297	HARNESS CLAMP	1	
16	108299	CLAMP PAD	1	
17	SP10611	RIVNUT M5	2	
19	106712	SEAL	1	
20	SP10215	SCREW N10	2	
22	106818	CABLE CLIP	2	

ELECTRICAL
ROOF HARNESS

SECTION
3
SUBSECTION
7
1 GROUP

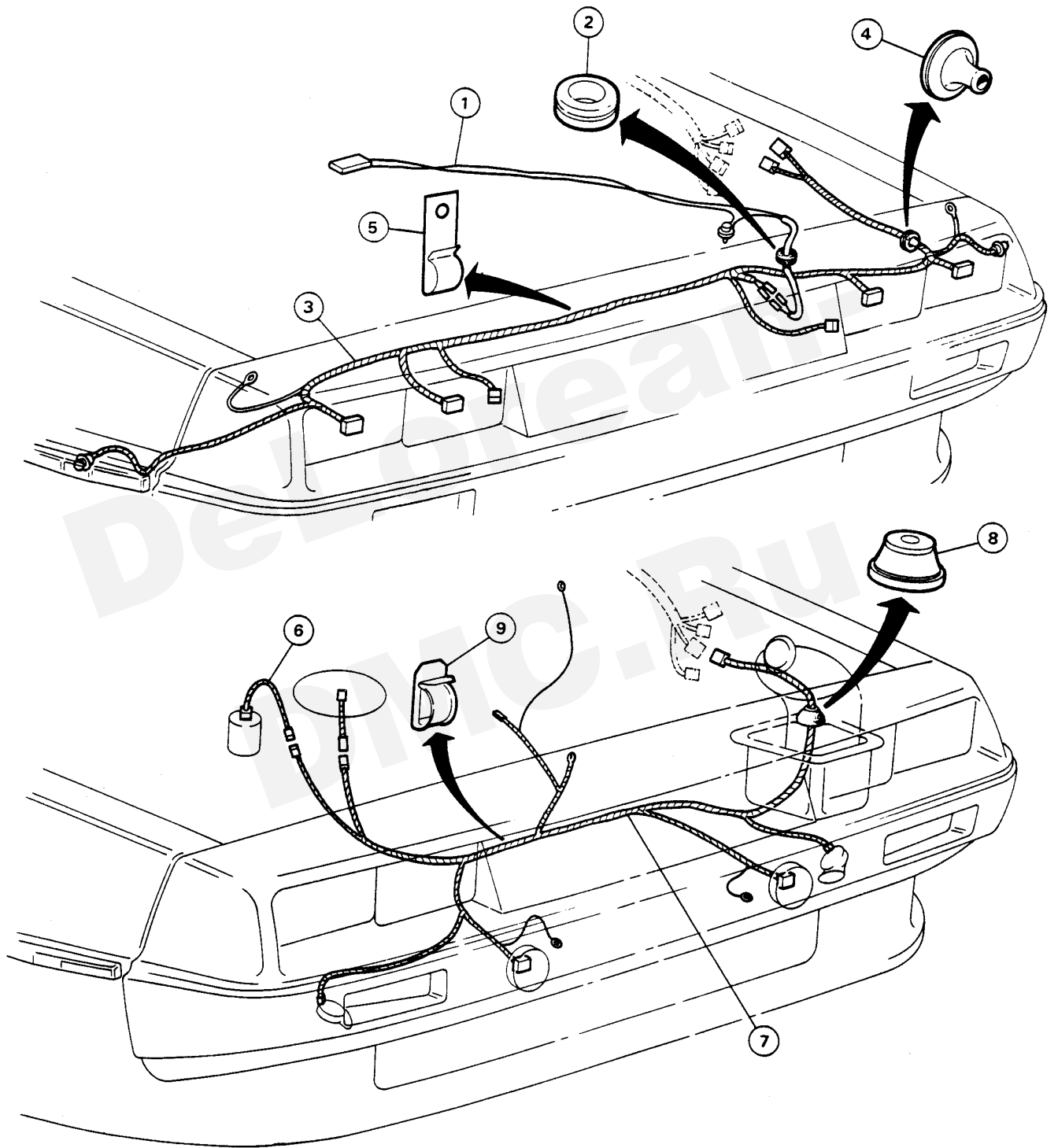


3-7-1-3-9-82

3	SECTION	ELECTRICAL FRONT HARNESS
	SUBSECTION	
	7 / 2 GROUP	

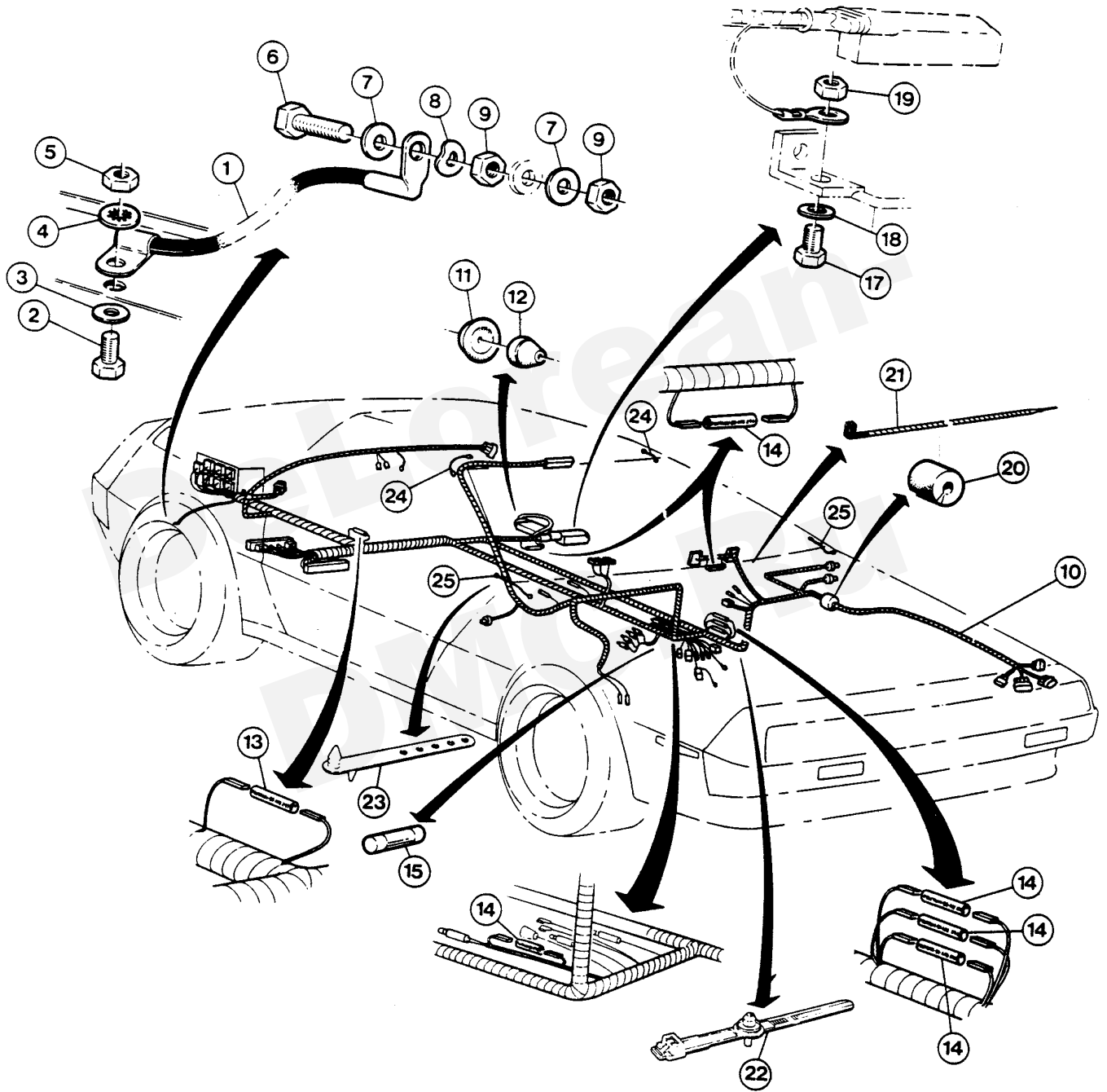
FIG.	PART NUMBER	DESCRIPTION	QTY	REMARKS
1	105553	HOOD COURTESY LIGHT	1	PART OF BONNET ASSY 100567
2	SP10337	. GROMMET	1	
3	100536	HEADLAMP HARNESS	1	
4	105185	. DIAPHRAGM GROMMET	1	
5	106731	CABLE CLIP	2	
6	106740	HARNESS, FUEL PUMP	1	
7	108599	HARNESS, FRAME	1	
8	105513	. GROMMET	1	
9	SP10550	CABLE CLIP	2	

DeLorean-DMC.Ru



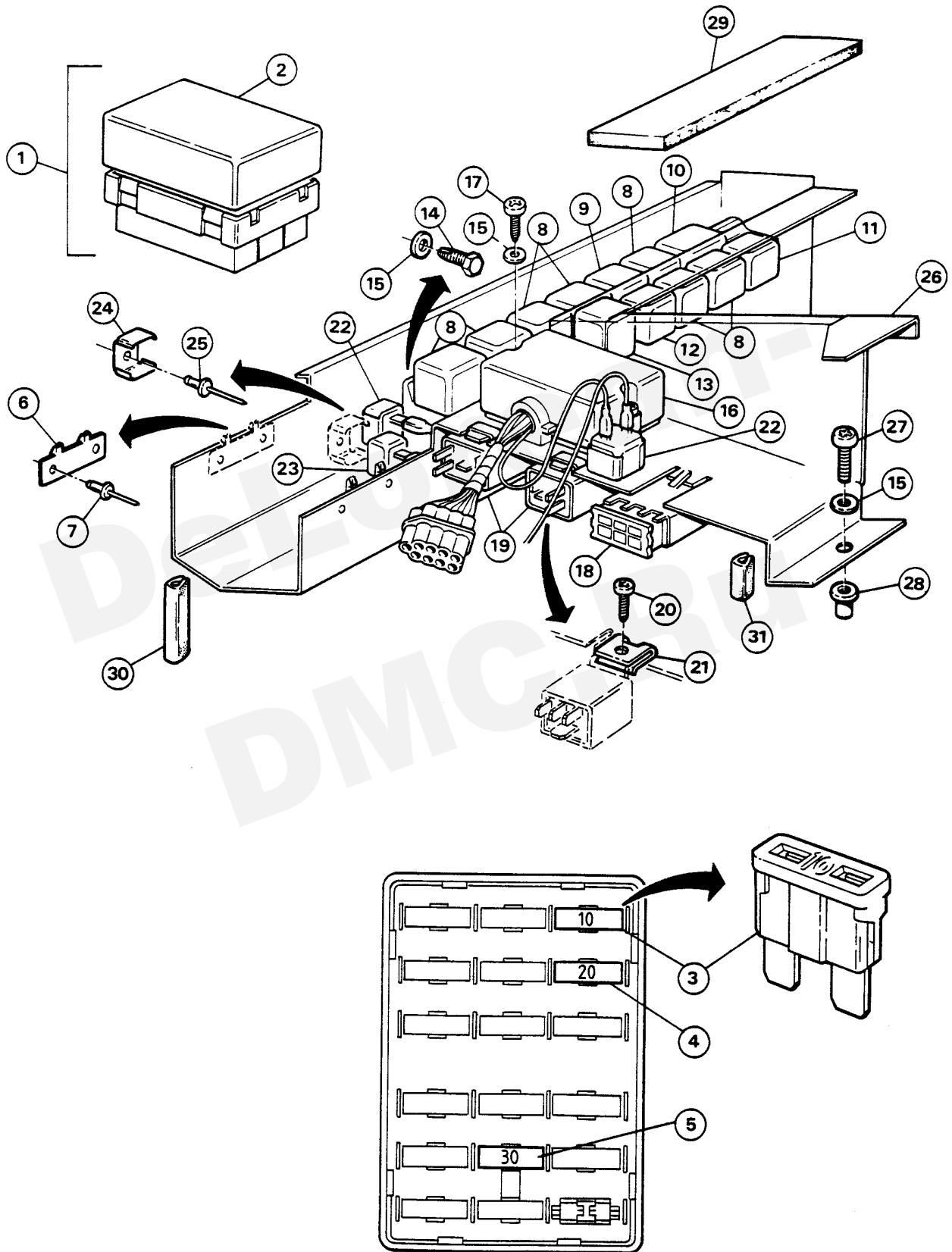
3	SECTION	ELECTRICAL MAIN HARNESS
	SUBSECTION	
	GROUP	

FIG.	PART NUMBER	DESCRIPTION	QTY	REMARKS
1	106293	FRAME GROUND CABLE	1	
2	SP10103	SCREW M8	1	
3	SPI0032	WASHER M8	1	
4	SP10047	TOOTHED WASHER M8	1	
5	SP10037	NUT M8	1	
6	SP10017	SCREW M6	1	
7	SP10031	WASHER M6	2	
8	101061	SPRING WASHER M6	1	
9	SP10030	NUT M6	2	
10	100535	MAIN HARNESS	1	
11	SP10337	. GROMMET	1	
12	106291	. GROMMET	2	
13	110066	. DIODE 3 AMP-A75-297	2	
14	110061	. DIODE 1 AMP-A75-294	6	
15	SP10309	. FUSE 5 AMP	2	
17	SP10775	SCREW M6	1	
18	SP10031	WASHER M6	1	
19	SP10030	NUT M6	1	
20	105969	MAIN HARNESS BUNG	2	
21	SP10399	CABLE TIE	2	
22	SP10429	CABLE TIE	1	
23	SP10551	CABLE TIE	3	
24	108352	GROUND BRAID	2	
25	108353	GROUND BRAID	2	



3	SECTION	ELECTRICAL FUSE BOX/RELAYS
	SUBSECTION	
	7 / 4 GROUP	

FIG.	PART NUMBER	DESCRIPTION	QTY	REMARKS
1	106912	FUSE BOX ASSEMBLY	1	
2	110520	FUSE BOX COVER	1	
3	106100	FUSE 10 AMP	10	
4	106102	FUSE 20 AMP	7	
5	106104	FUSE 30 AMP	1	
6	106846	FUSE BOX CLIP	2	
7	SP10128	POP RIVET	4	
8	106269	CHANGEOVER RELAY	7	
9	100817	LAMP DELAY UNIT	1	
10	106046	FAN FAILURE WRNG UNIT	1	
11	105525	RESISTOR, LIGHT INTEN	1	
12	101071	RELAY LAMBDA PROBE	1	
13	108164	RELAY TIME INTERVAL	1	
14	SP10745	SCREW N8	5	
15	SP10111	WASHER M5	5	
16	101421	PULSE UNIT	1	
17	SP10711	SCREW N8	2	
15	SP10111	WASHER M5	2	
18	101064	RELAY, FUEL PUMP	1	
19	108165	RELAY, HEAVY DUTY	2	
20	SP10726	SCREW N10	2	
21	SP10725	'U' NUT	2	
22	106085	CIRCUIT BREAKER 25 AMP	2	
23	106086	CIRCUIT BREAKER 35 AMP	1	
24	100783	CIRCUIT BREAKER CLIP	3	
25	SP10277	POP RIVET	3	
26	106826	FRAME-ELECTRONIC CMP	1	
27	SP10194	SCREW M5	2	
15	SP10111	WASHER M5	2	
28	SP10611	RIVNUT M5	2	
29	108154	PAD	1	
30	108155	EDGE PROTECTION STRIP	1	
31	108156	EDGE PROTECTION STRIP	1	



3

SECTION

SUBSECTION

8 / **0** GROUPELECTRICAL
AUDIO SYSTEM

FIG.	PART NUMBER	DESCRIPTION	QTY	REMARKS
1	100547	CO-AXIAL FLY LEAD	1	
2	100794	LOUDSPEAKER FRONT	2	
3	SP10251	WASHER M4	4	
4	SP10166	NUT NYLOC M4	4	
5	100441	AM/FM CASSETTE RADIO	1	
6	SP10733	SPACER, NYLON	2	
7	SP10454	SEMS SCREW M5	6	
8	SP10692	RIVNUT M5	6	
9	106720	BRACKET RR SPEAKER RH	1	
	106721	BRACKET RR SPEAKER LH	1	
10	SP10356	BAND CLAMP, SPEAKER	2	
11	100795	SPEAKER REAR	2	
12	108217	SPEAKER REAR, GASKET	2	
13		FACIA & KNOB SET	1	

3-8-0-1-19-82

