

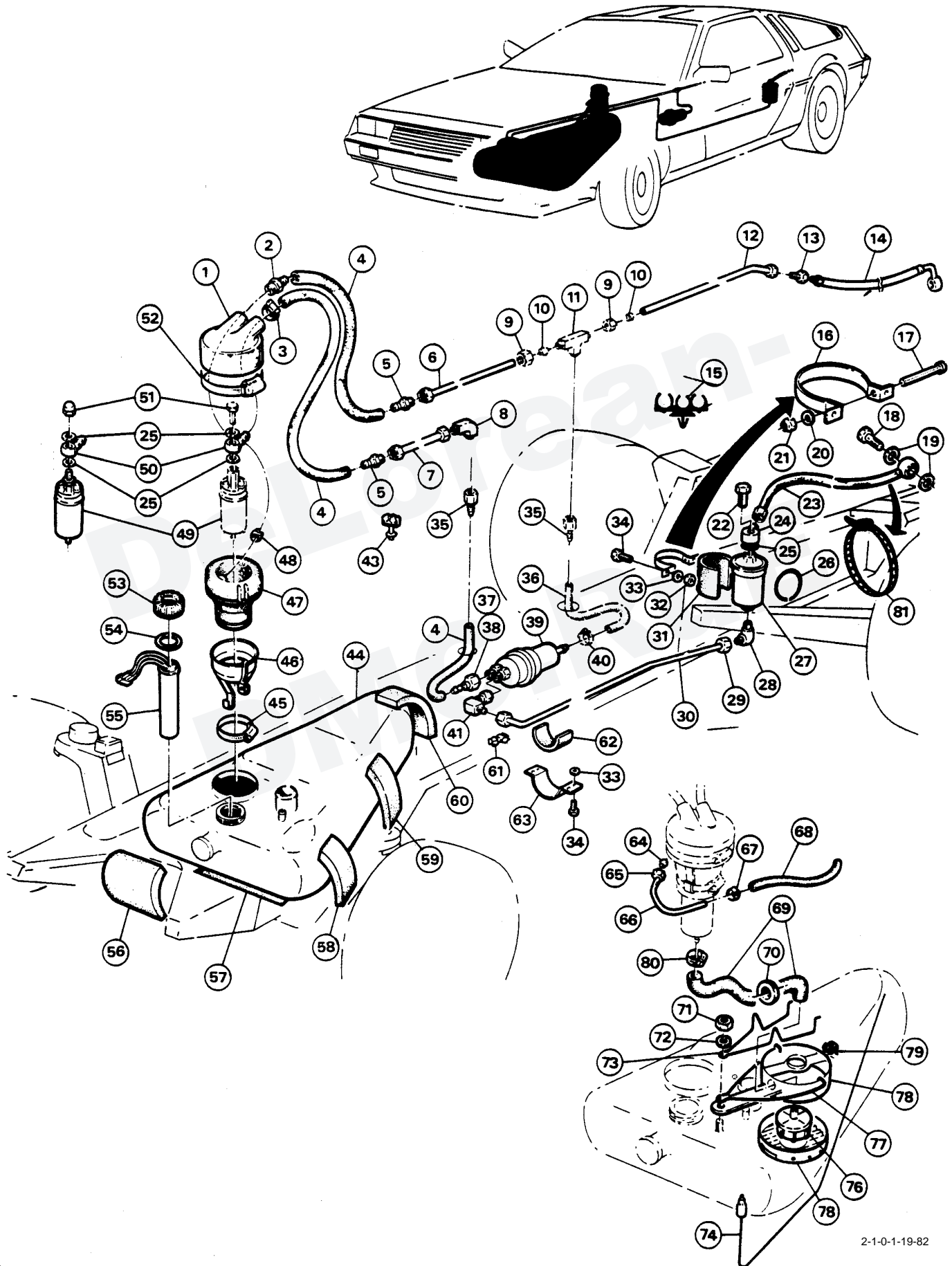
Emission/Fuel Systems

SECTION		FUEL AND EMISSION SYSTEM		
SUBSECTION		TANK/HOSES/PUMP/ACCUMULATOR/ETC.		
2	1	0	GROUP	
FIG.	PART NUMBER	DESCRIPTION	QTY	REMARKS
1	106684	FUEL PUMP COVER SEAL	1	
2	106982	FIR TREE CONNECTOR	3	
3	SP10348	HOSE CLAMP	3	
4	106979	HOSE-FUEL RTN & FEED	3	
5	106982	FIR TREE	2	
6	106998	TUBE FUEL RTN FRONT	1	
7	106983	TUBE FUEL FEED FRONT	1	
8	106985	90° EQUAL ELBOW	1	
9	106981	SWIVEL NUT	9	
10	106980	BULK RING	8	
11	106996	EQUAL TEE PIECE	1	
12	106995	TUBE-FUEL RTN REAR	1	
13	106994	ADAPTOR INSERT	1	
14	102359	FUEL PIPE	1	
15	SP10844	TRIPLE PIPE CLIP	2	
16	100849	FUEL FILTER CLAMP	1	
17	SP10742	SCREW M4	1	
18	102369	HOLLOW SCREW	1	
19	102360	GASKET	2	
20	SP10251	WASHER M4	2	
21	SP10166	NYLOC NUT M4	1	
22	106992	BANJO BOLT	1	
23	102365	FUEL HOSE	1	
24	106993	BANJO BODY	1	
25	106977	WASHER-SEALING	3	
26	SP10815	EDGE STRIP	1	
27	100523	FUEL FILTER	1	
28	106990	90° STANDARD ELBOW	1	
29	106991	TUBE NUT (SPECIAL)	1	
30	106989	TUBE-FUEL FEED REAR	1	
31	106685	PACKING	1	
32	SP10024	NYLOC NUT M6	2	
33	SP10031	WASHER M6	6	
34	SP10015	SCREW M6	6	
35	106984	STD FIR TREE INSERT	2	
36	106997	FLEXIBLE FUEL PIPE	1	
37	106986	NUT-SWIVEL M16	1	
38	106987	SPL FIR TREE INSERT	1	
40	SP10573	HOSE CLIP	1	
41	106988	90° SPECIAL ELBOW	1	
43	SP10392	DOUBLE PIPE CLIP	7	
44	101013	FUEL TANK	1	

FIGURES 2, 64 AND 65 ARE INTERCONNECTED

FUEL AND EMISSION SYSTEM
TANK/HOSES/PUMP/ACCUMULATOR/ETC.

SECTION
2
SUBSECTION
1
GROUP
0



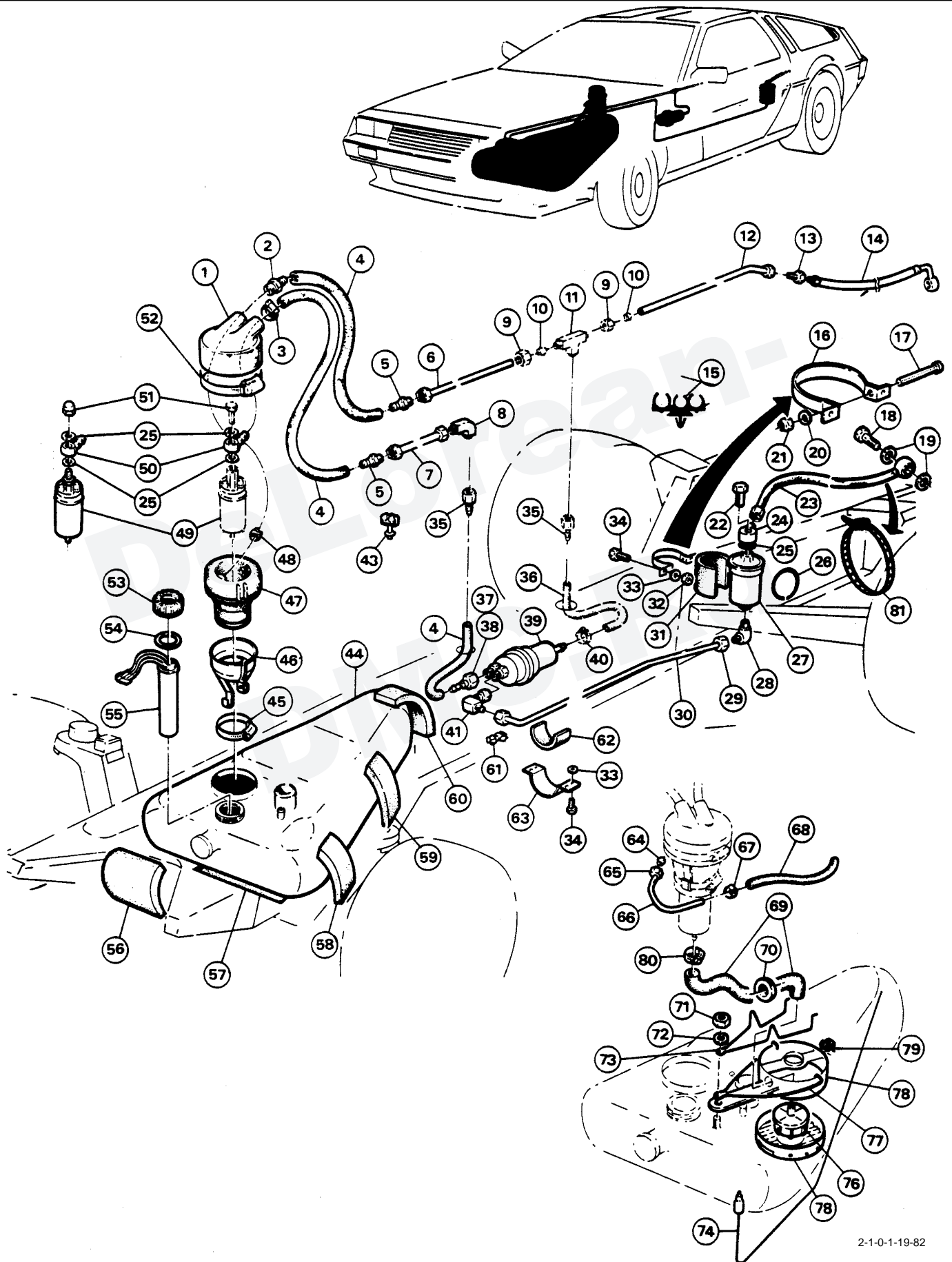
2-1-0-1-19-82

SECTION		FUEL AND EMISSION SYSTEM		
SUBSECTION		TANK/HOSES/PUMP/ACCUMULATOR/ETC.		
2	1	0	GROUP	
FIG.	PART NUMBER	DESCRIPTION	QTY	REMARKS
45	SP10356	HOSE CLIP	1	
46	101644	SUPPORT RING	1	
47	101391	FtPUMP SEALING RING	1	
48	SP10830	HOSE BAND	2	
49	100521	FUEL PUMP	1	UP TO VIN 10000
	110085	FUEL PUMP	1	FROMVIN 10001
50	106978	FUEL PUMP BANJO BODY	1	UP TO VIN 10000
	110594	FUEL PUMP BANJO BODY	1	FROM VIN 10001
51	106976	BANJO SCREW	1	UP TO VIN 10000
	110589	BANJO (NUT)	1	FROM VIN 10001
52	SP10388	HOSE CLIP	1	
53	105161	SCREW CAP	1	
54	100923	SEALING RING	1	
55	105183	PETROL GA TUBE	1	UP TO VIN 5237
	110555	PETROL GA TUBE	1	FROM VIN 5238
56	106686	PACKING - F/TNK FRONT	2	
57	106689	PACKING - F/TNK BOTTOM	1	
58	106711	PACKING - F/TNK SIDE	1	
59	106687	PACKING - F/TNK SIDES	5	
60	106688	PACKING - F/TNK REAR	2	
61	SP10427	SWIVEL CLIP	1	
62	101000	PACKING	1	
63	101389	RETAINER	1	
64	106981	OLIVE - BULK RING		
65	106981	SWIVEL NUTM14 x 15		
66	105020	STEEL TUBE - FUEL RTN	1	
67	SP10573	HOSE CLIP	1	
68	106286	HOSE FUEL RTN LOWER	1	
69	106287	HOSE-FUEL SPLY-PMP	1	
70	106318	'U' SECTPIPE SEAL	1	GROMMET
71	SP10030	NUT PLAIN M6	1	
72	SP10252	WASHER-SPRING M6	1	
73	108905	SPRING, RETAINER	1	
74	106683	BREATHER TUBE	1	
76	101643	FILTER-FUEL PUMP	1	
77	108683	SPRING, RETAINER OUTER	1	
78	106241	BAFFLE-FUEL TANK	1	AFTER VIN 4782 USE 110155 ASSY
79	SP10728	EDGE CLIP	1	
80	SP10349	HOSE CLIP	2	
81	SP10764	CABLE TIE	2	

FIGURES 2, 64 AND 65 ARE INTERCONNECTED

FUEL AND EMISSION SYSTEM
TANK/HOSES/PUMP/ACCUMULATOR/ETC.

SECTION
2
SUBSECTION
1
GROUP
0



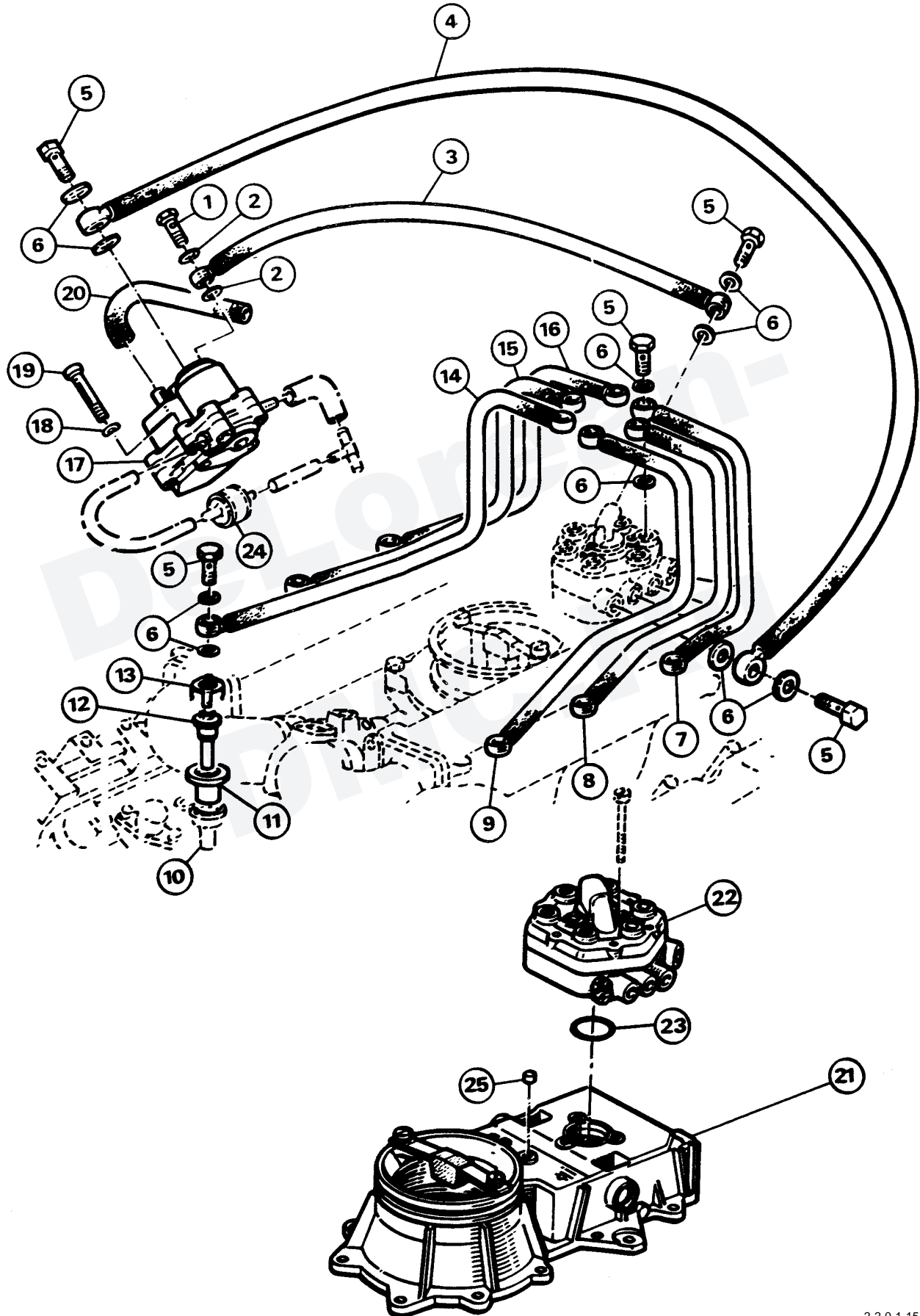
2-1-0-1-19-82

SECTION		FUEL AND EMISSION SYSTEMS		
SUBSECTION		FUEL INJECTION SYSTEM		
2	2/0	GROUP		
FIG.	PART NUMBER	DESCRIPTION	QTY	REMARKS
1	102351	HOLLOW SCREW	1	
2	102352	SEALING WASHER	2	PART OF GASKET KIT 102565 (1-1-0)
3	102348	FUEL PIPE		
4	102357	FUEL PIPE		
5	102343	HOLLOW SCREW	15	
6	102344	SEALING WASHER	30	PART OF GASKET KIT 102565 (1-1-0) 16 OFF PART OF GASKET KIT 102574 (1-4-1) (ITEM 55) 12 OFF PART OF GASKET KITS 102566 AND 102567 (1-1-0)
7	102318	INJECTION PIPE CYL 1*	1	
8	102323	INJECTION PIPE CYL 2*	1	
9	102327	INJECTION PIPE CYL 3*	1	
10	102345	INJECTOR SUPPORT	6	PART OF CYL HEAD ASSY (1-1-5)
11	102631	INJECTOR SLEEVE	6	
12	102742	INJECTOR	6	
13	102346	INJECTOR CLIP	6	
14	102339	INJECTION PIPE CYL 6*	1	
15	102335	INJECTION PIPE CYL5*	1	
16	102331	INJECTION PIPE CYL4*	1	
17	102353	WARM UP REGULATOR	1	
18	101061	SPRING WASHER M6	2	
19	102354	SCREW M6	2	
20	102335	HOSE	1	
21	102789	MIXTURE CONTROL UNIT	1	
22	102807	FUEL DISTRIBUTOR	1	
23	102855	'O' RING SEAL	1	
24	102410	VACUUM DELAY VALVE	1	REFER TO FIG 36 ON 2-4-0
25	102392	PLUG,TAMPER PROOF	1	SEE BELOW

*CYLINDERS 1,2,3 & 4,5,6 ARE LH AND RH BANKS RESPECTIVELY WHEN VIEWED FROM THE FLYWHEEL END OF THE ENGINE

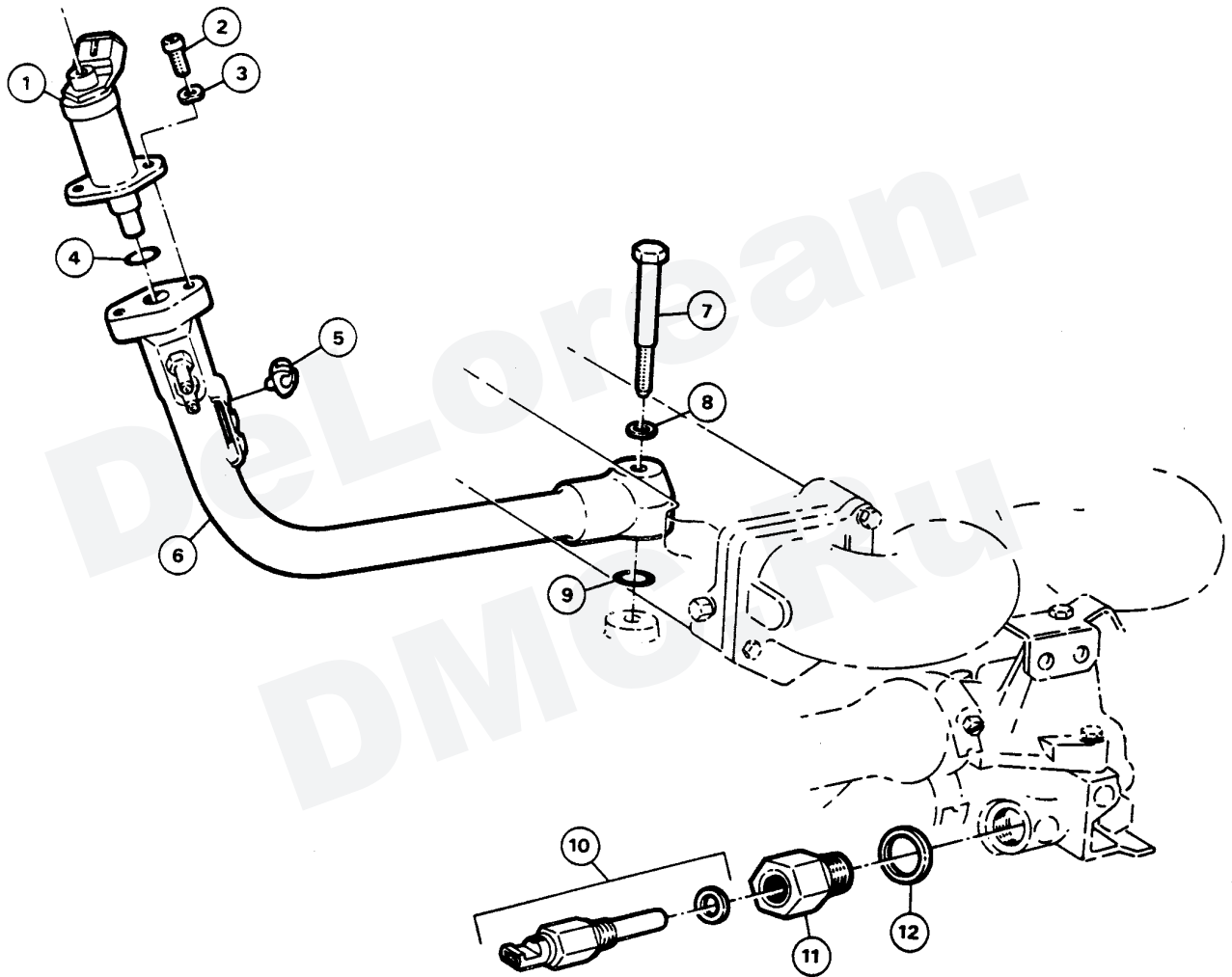
NOTE - FIG 25 IS ALSO SHOWN IN 1-4-1 FOR DIFFERENT APPLICATION

2-2-0-1-15-82



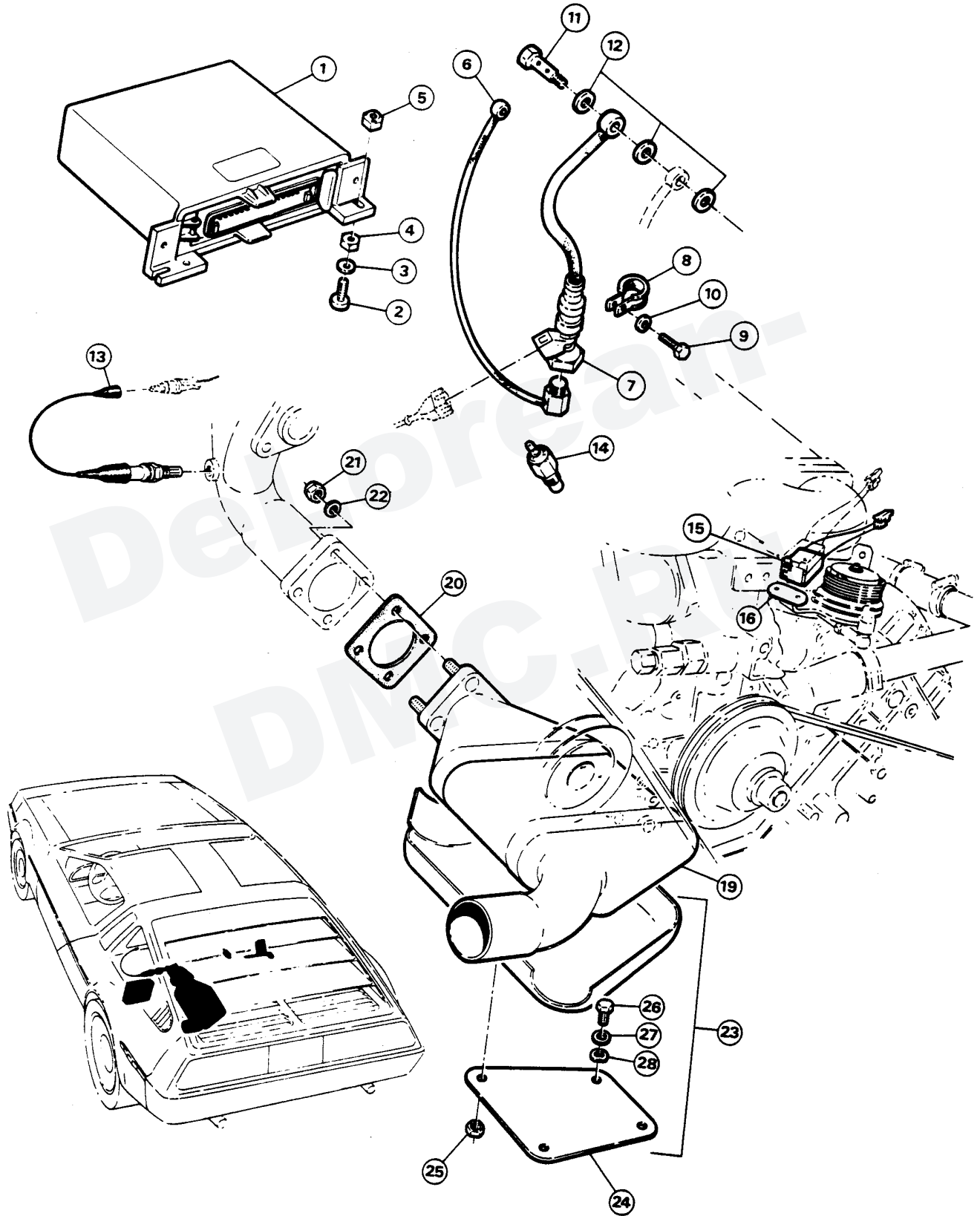
2	SECTION	FUEL AND EMISSION SYSTEMS FUEL ENRICHMENT COMPONENTS
	SUBSECTION	
	GROUP	

FIG.	PART NUMBER	DESCRIPTION	QTY	REMARKS
1	102372	COLD START VALVE	1	
2	102317	SCREW M6	2	
3	101061	SPRING WASHER M6	2	
4	102373	'O' RING	1	PART OF 102574 GASKET KIT
(1-4-1 ITEM 55)				
5	102276	PLASTIC CLIP	1	
6	102374	AUXILIARY AIR PIPE	1	
7	102380	SCREW M6	1	
8	102381	SEALING WASHER	1	PART OF 102574 GASKET KIT
(1-4-1 ITEM 55)				
9	102382	'O' RING	1	
10	102125	TEMPERATURE SWITCH	1	
11	102122	SCREWED ADAPTOR	1	FITTED TO WATER PUMP
12	102011	SEALING WASHER	1	



2	SECTION	FUEL AND EMISSION SYSTEMS LAMBDA SYSTEM – PROBE/E.C.U./CATALYST
	SUBSECTION	
	3 / 0 GROUP	

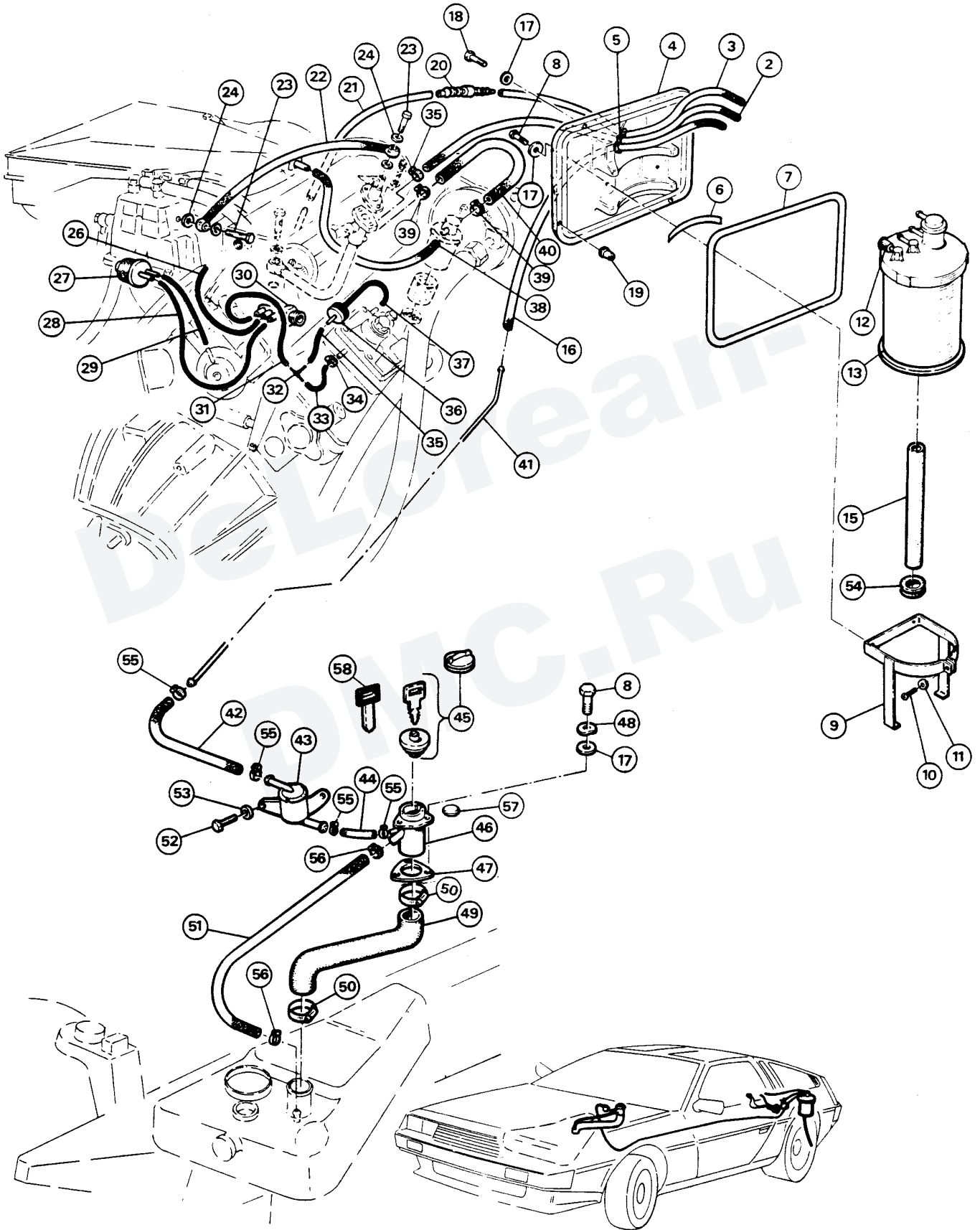
FIG.	PART NUMBER	DESCRIPTION	QTY	REMARKS
1	101068	ELECTRIC CON UNIT	1	
2	SP10688	SCREW M5	2	
3	SP10503	EXTRA LARGE WA M5	6	
4	SP10173	NUT M5	2	
5	SP10106	NYLOC NUT M5	2	
6	102400	FUEL PIPE	1	
7	102395	FREQUENCY VALVE	1	
8	102398	CLAMP	1	
9	102082	SCREW M6	1	
10	102399	SHAKERY WASHER	1	
11	102359	HOLLOW SCREW	1	
12	102360	SEALING RINGS	3	
13	101069	LAMBDA PROBE	1	
14	102478	TEMPERATURE SWITCH	1	
15	102748	MICROSWITCH	1	
16	102786	SECURING PLATE	1	
19	100419	CATALYTIC CONVERTOR	1	
20	100929	GASKET	1	
21	SP10170	AERONUT M10	4	
22	SP10262	WASHER M10	4	
23	106010	HEATSHIELD	1	
24	106009	. MOUNTING BRKT	1	
25	SP10183	. AERONUT M6	2	
26	SP10223	SCREW M10	2	
27	SP10036	SPRING WASHER M10	2	
28	SP10033	WASHER M10	2	



SECTION		FUEL AND EMISSION SYSTEMS		
SUBSECTION		EVAPORATIVE CONTROL SYSTEM		
2	4	0	GROUP	
FIG.	PART NUMBER	DESCRIPTION	QTY	REMARKS
2	105929	PIPE, PURGE LINE	1	
3	105932	PIPE, PURGE SIGNAL	1	
4	105710	BEZEL	1	
5	SP10370	GROMMET	3	
6	105563	. PAD CANISTER SUPPORT	2	
7	105561	. GASKET	1	
8	SP10041	SCREW M6 x 16	2	
9	101111	BRACKET, CARBON CAN	1	
10	SPIO199	. SCREW M4	1	
11	SP10251	. WASHER M4	1	
12	101112	CAP, BLANKING	1	
13	101109	CARBON CANISTER	1	
15	105933	HOSE, CANISTER DRAIN	1	
16	105930	HOSE-VENT/ROLL VALVE	1	
17	SP10031	WASHER M6	4	
18	SP10015	SCREW M6 x 20	4	
19	SP10613	RIVNUT AL M6	4	
20	106782	CONNECTOR, HOSE	1	
21	102712	HOSE, CONN/ENGINE	1	
22	102370	FUEL PIPE	1	
23	102343	BOLT, HOLLOW	2	
24	102344	SEAL,WASHER	4	PART OF 102565 GASKET KIT (1-1-4)
26	102713	HOSE, VACUUM	1	
27	101116	SOLENOID, VACUUM	1	
28	102714	HOSE-SOL/THERM VALVE	1	
29	102715	HOSE-SOL/VAC ADVANCE	1	
30	102405	VALVE, THERMAL CONTROL	1	
31	102716	HOSE VALVE TEE PIECE	1	
32	102406	TEE CONNECTOR	1	
33	102409	HOSE-TEE/PRESS REG	1	
34	102717	CLAMP, HOSE	1	
35	102718	HOSE-TEE /VAC DELAY	1	
36	102410	VALVE-VACUUM DELAY	1	
37	102719	HOSE-DELAY/CON REG	1	
38	101062	HOSE-OIL FILL/AIRCL	1	SEE 1-4-0
39	102356	CLAMP, HOSE	2	SEE 1-4-0
40	102537	HOSE-OIL FILL/VALVE	1	
41	105414	TUBE, EXPANSION	1	
42	101649	HOSE-EXP/ROLL OVER	1	

FUEL AND EMISSION SYSTEMS
EVAPORATIVE CONTROL SYSTEM

SECTION
2
SUBSECTION
4
GROUP
0



2-4-0-1-14-82

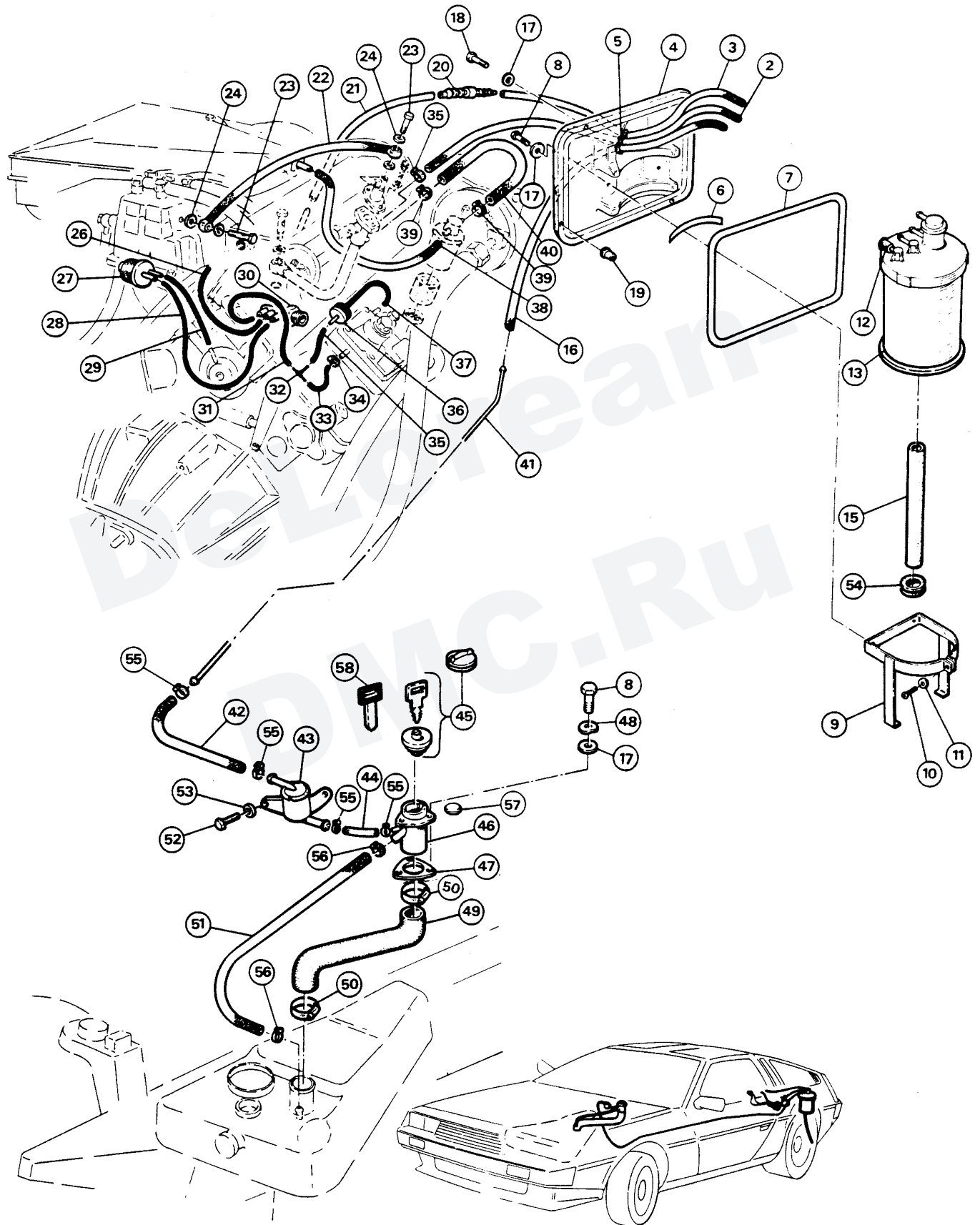
SECTION		FUEL AND EMISSION SYSTEMS		
SUBSECTION		EVAPORATIVE CONTROL SYSTEM		
2	4	0	GROUP	
FIG.	PART NUMBER	DESCRIPTION	QTY	REMARKS
43	101402	ROLL OVER VALVE	1	
44	101648	HOSE-ROLL VLV/FUEL	1	*SEE NOTE UNDER
	108743	HOSE-ROLLVALVE	1	DOES NOT REQUIRE HOSE CLIP
45	105137	GAS CAPC/W KEYS	1	UP TO VIN 4128
	110129	GAS CAP	1	NOW LOCKING, FROM VIN 4129
46	101394	GAS FILLER	1	
47	101567	GASKET	1	
48	SP10252	SPRING WASHER M6	3	
49	101562	PIPE-GAS FILLER	1	
50	SP10354	HOSE CLIP	2	
51	101563	VENT HOSE-FILLER TANK	1	
52	SP10194	SCREW M5	2	
53	SP10111	WASHER M5	2	
	SP10659	RIVNUT M5	2	*NOT ILL SEE NOTE UNDER
54	SP10368	GROMMET	1	
55	SP10346	CLAMP, HOSE	4	
56	SP10349	CLAMP, HOSE	2	
57	108492	GROMMET, DRAIN	1	FROM VIN 633
58	109100	KEY BLANK	A/R	IGNITION, CUBBY BOX AND GAS CAP

*FIGURE 44 - REQUIRES HOSE CLIPS SP10346 - 2 OFF WHEN STOCKS USED UP, REPLACE WITH 108743.

*NOTE SP10659 IS RIVNUT LOCATED IN G.R.P. BODYSHELL FOR SECURING ROLL OVER VALVE-

FUEL AND EMISSION SYSTEMS
EVAPORATIVE CONTROL SYSTEM

SECTION
2
4
SUBSECTION
0
GROUP



2-4-0-1-14-82

2	SECTION	IDLE SPEED CONTROL SYSTEM MOTOR/E.C.U./MICROSWITCH
	SUBSECTION	
	5 / 0 GROUP	

FIG.	PART NUMBER	DESCRIPTION	QTY	REMARKS
1	106896	IDLE SPEED E.C.U.	1	
2	SP10133	SCREW N8	2	
3	SP10111	WASHER M5	2	
4	106825	ELCT COMPONENT CHAS	1	
5	SP10194	SCREW M5	2	
6	SP10111	WASHER M5	2	
7	SP10611	RIVNUT M5	2	
8	108154	PAD	1	
9	SP10727	EDGE CLIP	2	
10	102502	IDLE/LOW SPEED MOTOR	1	
11	102765	CLAMP	1	
12	102769	SCREW	1	
13	102692	NUT	1	
14	102276	SCREW M6	2	
15	102764	WASHER M6	2	
16	102505	SUPPoRT	1	
17	102490	SCREW M6	3	
18	102766 *	LARGE WASHER	6	
19	102767 *	GROMMET	3	
20	102768 *	SLEEVE	3	
21	102503	AUXILIARY AIR PIPE	1	
22	102504	HOSE (MOTOR PIPE)	1	
23	102822	HOSE CLIP	2	
24	102524	HOSE (MOTOR-VALVE)	1	
25	102778	MICROSWITCH	1	IDLE SPEED
26	102783	SCREW	2	
27	102788	WASHER	2	
28	102779	BRACKET	1	
29	102171	SCREW	2	
30	101061	WASHER	2	
31	102480	CONSTANT IDLE SWITCH	1	THERMISTER

IDLE SPEED CONTROL SYSTEM
MOTOR/E.C.U./MICROSWITCH

SECTION
2 / 5
SUBSECTION
0
GROUP

